



RIALTA® RW402

The **RIALTA® RW402** luminaire is a cylindrical post top mounted luminaire designed to bring ambiance to any project by providing a performance lighting package in a vertical form. The 8" acrylic cylinder adds a two foot high luminous element with near perfect surface brightness and uniformity. The RW402 uses a two arc LED configuration to deliver IES type 5 distributions with high efficiency and low wattage consumption. A variety of LED color temperatures are available. A choice of several popular polyester powder coat colors is also available.



PROJECT: _____

TYPE: _____

ORDERING EXAMPLE: PT8-RW402FAC-28L45T5-MDL05-FHD/UBKT

| | | RW402 | | | | | | | | | | | |
|------------------|-----------------------------|-------|----------------------------|------|--------------|--------------|-------------------|--------|-----------------------------|------------------|--------------------|-------|-----|
| MOUNTING CONFIG. | HEIGHT (H) FT. ¹ | | SERIES | LENS | NO. OF LEDES | COLOR TEMP K | DISTRIBUTION TYPE | DRIVER | OPTIONAL CONTROL RECEPTACLE | OPTIONAL CONTROL | DUAL FUSE & HOLDER | COLOR | |
| PT | 6 | 13 | Post Top Mounted Luminaire | FAC | 28L | 27(00) K | T5 | MDL03 | O P T I O N S | | | UGMT | UGM |
| | 7 | 14 | | | | 35(00) K | | MDL05 | R | PE ² | FHD | UBT | UB |
| | 8 | 15 | | | | 45(00) K | | MDH03 | R5 | PE3 ² | | ULBT | ULB |
| | 9 | 16 | | | | | | MDH05 | R7 | PE4 ² | | USLT | USL |
| | 10 | 17 | | | | | | | | SC | | UWHT | UWH |
| | 11 | 18 | | | | | | | | PEC | | UCHS | BKT |
| | 12 | | | | | | | | | PEC4 | | | |

PT = Post Top H = Overall Height of Pole and Fixture ¹Minimum height 48". ²Requires control receptacle.

Product Specs

Optical

- IP66 rated optic module.
- Available in IES Type 5 distribution.
- Utilizes high output, high brightness LEDs.
- Typical CRI of 70, CCT 2700, 3500 and 4500K. Call factory for custom CCT.
- LM-79 and LM-80 tests in accordance with IESNA standards.
- Lumen depreciation rating L70 > 100,000 hrs. projected per TM-21 guideline using 525mA drive at 25°C ambient.
- RoHS Compliant.

Electrical

- 120-277 volt and 347-480 volt available.
- Minimum drivers power factor: > 0.9.
- Electrical surge protection in accordance with IEEE/ANSI C62.41.2 guidelines.
- UL listed in U.S. and Canada.

Mechanical

- Cast aluminum heat sink, cylindrical lens and twist-lock housing.
- Spun aluminum heat sink cover.
- Twist-lock housing installs on 8" OD welded tenon.
- Pole door driver access and removeable driver tray.

Controls

- Supplied with dimmable driver (0-10 volts)
- **R** 3-Pin ANSI receptacle only
- **R5** 5-Pin ANSI receptacle only
- **R7** 7-Pin ANSI receptacle only
- **PE** twist-lock photocontrol (120v-277v)
- **PE3** twist-lock photocontrol (347v)
- **PE4** twist-lock photocontrol (480v)
- **SC** Shorting Cap
- **PEC** button photocontrol (120v-277v)
- **PEC4** button photocontrol (480v)

Finish

- Durable, color retentive powder coat finish.

Warranty & Standards

LED Systems and Drivers - 7 years.
All fixtures shall be free from all defects in materials and workmanship for a period of 7 years from the date of manufacture. The luminaire manufacturer shall warrant the LED boards/system, during the stated warranty period, against failure defined as more than 10 percent of non-operating LEDs.

Housing

Housing shall consist of 0.188" wall extruded aluminum and A360 cast top and bottom lens retaining assemblies. Minimum height overall with shaft is 48".

Drivers:

- MDL03:** 350mA, 120-277V
- MDL05:** 525mA, 120-277V
- MDH03:** 350mA, 347-480V
- MDH05:** 525mA, 347-480V

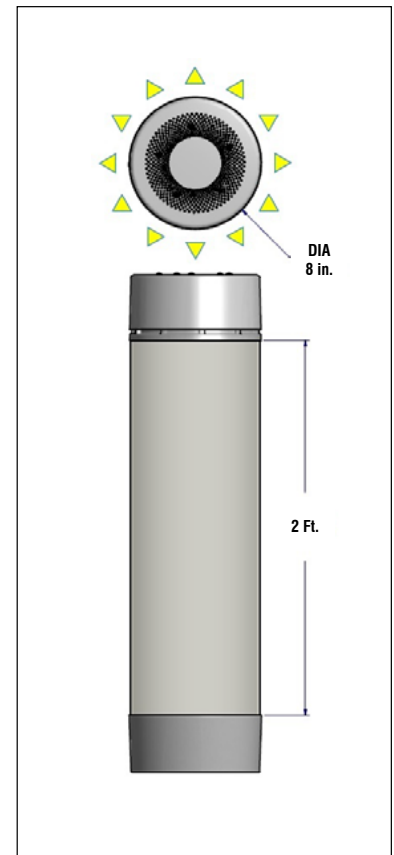
Lens:

FAC - Frosted Acrylic Cylinder 2 Ft.

Colors:

- UGMT** - Urban Gun Metal Textured
- UBT** - Urban Bronze Textured
- ULBT** - Urban Light Bronze Textured
- USLT** - Urban Silver Textured
- UWHT** - Urban White Textured
- UCHS** - Urban Champagne Satin Smooth
- UGM** - Urban Gun Metal Matte
- UB** - Urban Bronze Matte
- ULB** - Urban Light Bronze Matte
- USL** - Urban Silver Matte
- UWH** - Urban White Matte
- BKT** - Black Textured

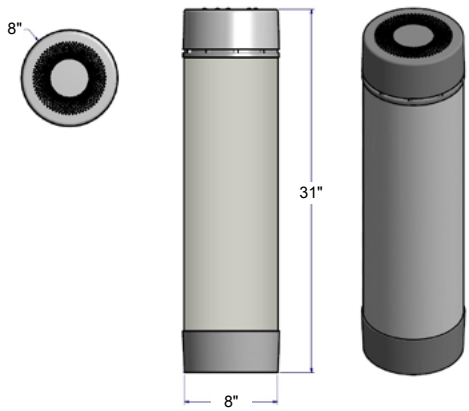
Distribution Orientation:



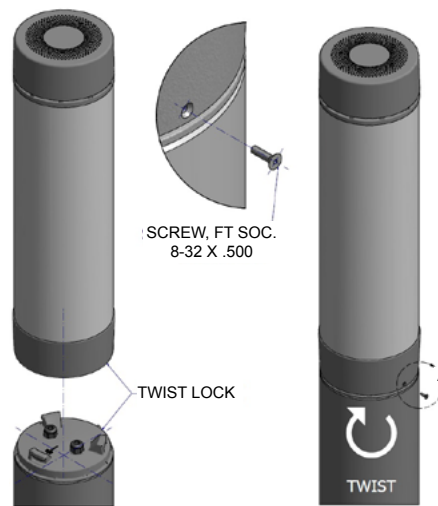
Performance

| MODEL # | T5 DELIVERED LUMENS | EFFICACY (LPW) | WATTAGE |
|---------------------|---------------------|----------------|---------|
| RW402-28L45T_-MD_05 | 3970 | 68.9 | 52 |
| RW402-28L45T_-MD_03 | 2890 | 82.4 | 36 |

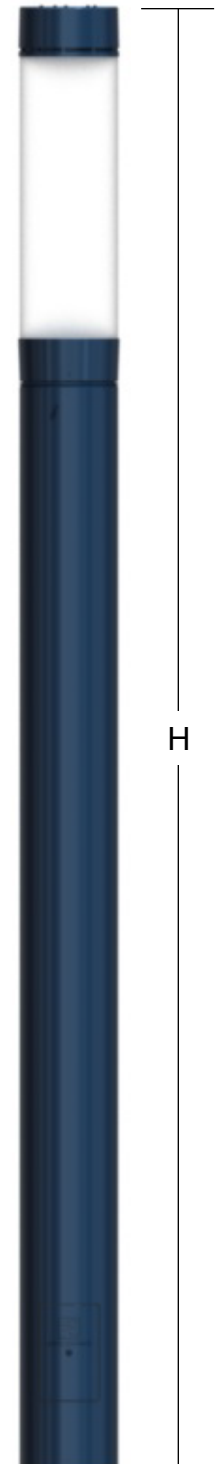
Product Dimensions and Features



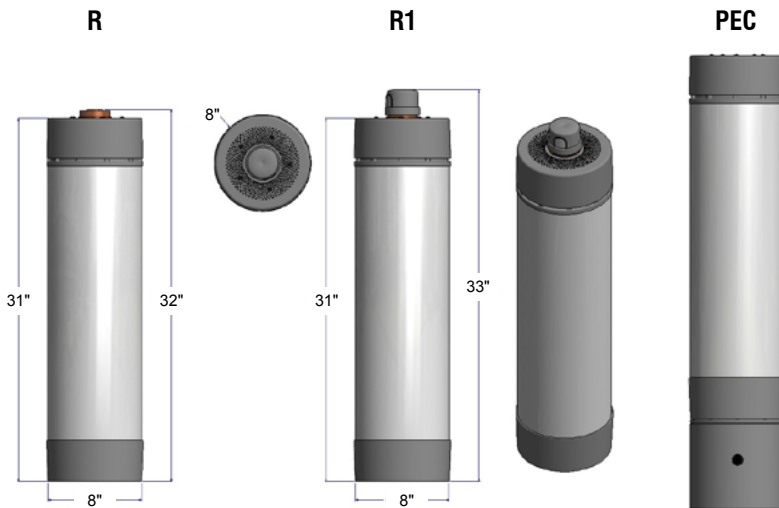
Post Top Mounting Details



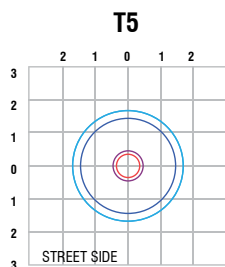
Post Top Mounting Configuration



Options



ISO Footcandle Plots



All published luminaire photometric testing performed to IESNA LM-79 standards by NVLAP, certified laboratory. ISO footcandle plots above demonstrate the RIALTA'S light patterns only. Not for total fixture output. For complete specifications and IES files, see website.

Bolt Circle

