



RIALTA® RT403

The RIALTA® RT403 luminaire is a cylindrical, three legged, open cage post top mounted luminaire designed to bring ambiance to any project by providing a performance lighting package in a vertical form. The 8" cast aluminum cage cylinder adds a three foot high luminous element that adds visual interest by illuminating from the top casting and giving the effect of moon light from within its cage form. The RT403 uses one round LED array configuration with a choice of Clear Acrylic or SV2 lens to deliver IES types 5, 4, 3, 3R and 2 distribution with high efficiency and low wattage consumption. A variety of LED color temperatures are available. A choice of several popular polyester powder coat colors is also available.

PROJECT: _____

TYPE: _____

ORDERING EXAMPLE: PT8-RT403CA-26L45T5-MDL05-FHD/UBKT

		RT403											
MOUNTING CONFIG.	HEIGHT (H) FT.		SERIES	LENS	NO. OF LEDS	COLOR TEMP K	DISTRIBUTION TYPE	DRIVER	OPTIONAL CONTROL RECEPTACLE	OPTIONAL CONTROL	DUAL FUSE & HOLDER	COLOR	
PT	6	13	Post Top Mounted Luminaire	CA	26L	27(00) K	T2	MDL03	O P T I O N S			UGMT	UGM
	7	14		SV2		35(00) K	T3	MDL05	R	PE ¹	FHD	UBT	UB
	8	15				45(00) K	T3R	MDH03	R5	PE3 ¹		ULBT	ULB
	9	16					T4	MDH05	R7	PE4 ¹		USLT	USL
	10	17					T5			SC		UWHT	UWH
	11	18								PEC		UCHS	BKT
	12									PEC4			

PT = Post Top H = Overall Height of Pole and Fixture ¹ Requires control receptacle.

Product Specs

Optical

- IP66 rated optic module.
- Available in IES Types 2, 3, 3R, 4 and 5 distribution.
- Utilizes high output, high brightness LEDs.
- Typical CRI of 70, CCT 2700, 3500 and 4500K. Call factory for custom CCT.
- LM-79 and LM-80 tests in accordance with IESNA standards.
- Lumen depreciation rating L70 > 100,000 hrs. projected per TM-21 guideline using 525mA drive at 25°C ambient.
- RoHS Compliant.

Electrical

- 120-277 volt and 347-480 volt available.
- Minimum drivers power factor: > 0.9.
- Electrical surge protection in accordance with IEEE/ANSI C62.41.2 guidelines.
- UL listed in U.S. and Canada.

Mechanical

- Cast aluminum heat sink, cylindrical lens and twist lock housing.
- Spun aluminum heat sink cover.
- Twist-lock housing installs on 8" OD welded tenon.
- Pole door driver access and removeable driver tray.

Controls

- Supplied with dimmable driver (0-10 volts)
- R 3-Pin ANSI receptacle only
- R5 5-Pin ANSI receptacle only
- R7 7-Pin ANSI receptacle only
- PE twist-lock photocontrol (120v-277v)
- PE3 twist-lock photocontrol (347v)
- PE3 twist-lock photocontrol (347v)
- PE4 twist-lock photocontrol (480v)
- SC Shorting Cap
- PEC button photocontrol (120v-277v)
- PEC4 button photocontrol (480v)

Performance

MODEL #	T2 DELIVERED LUMENS	EFFICACY (LPW)	T3 DELIVERED LUMENS	EFFICACY (LPW)	T3R DELIVERED LUMENS	EFFICACY (LPW)	T4 DELIVERED LUMENS	EFFICACY (LPW)	T5 DELIVERED LUMENS	EFFICACY (LPW)	WATTAGE
RT403CA-26L45T_-MD_05	2925	60.5	2795	57.7	2945	61.0	2920	60.5	2905	60.1	49
RT403CA-26L45T_-MD_03	2150	68.6	2065	66.0	2170	69.4	2115	68.6	2135	68.3	32
RT403SV2-26L45T_-MD_05	2630	54.5	2525	52.3	2605	54.0	2630	54.5	2720	56.1	49
RT403SV2-26L45T_-MD_03	1920	61.4	1865	59.5	1935	61.9	1940	62.0	2005	64.1	32

Finish

- Durable, color retentive powder coat finish.

Warranty & Standards

LED Systems and Drivers - 7 years.
All fixtures shall be free from all defects in materials and workmanship for a period of 7 years from the date of manufacture. The luminaire manufacturer shall warrant the LED boards/system, during the stated warranty period, against failure defined as more than 10 percent of non-operating LEDs.

Housing

Housing shall consist of 0.188" wall extruded aluminum and A360 cast top and bottom lens retaining assemblies.

Drivers:

- MDL03: 350mA, 120-277V
- MDL05: 525mA, 120-277V
- MDH03: 350mA, 347-480V
- MDH05: 525mA, 347-480V

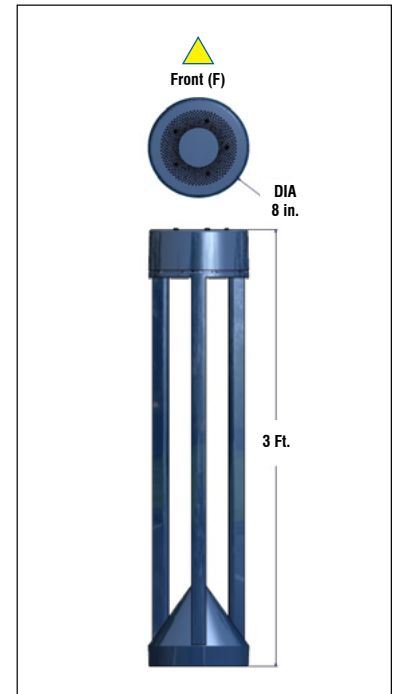
Lens:

- CA - Clear Flat Acrylic
- SV2 - Flat heavy diffuse acrylic

Colors:

- UGMT - Urban Gun Metal Textured
- UBT - Urban Bronze Textured
- ULBT - Urban Light Bronze Textured
- USLT - Urban Silver Textured
- UWHT - Urban White Textured
- UCHS - Urban Champagne Satin Smooth
- UGM - Urban Gun Metal Matte
- UB - Urban Bronze Matte
- ULB - Urban Light Bronze Matte
- USL - Urban Silver Matte
- UWH - Urban White Matte
- BKT - Black Textured

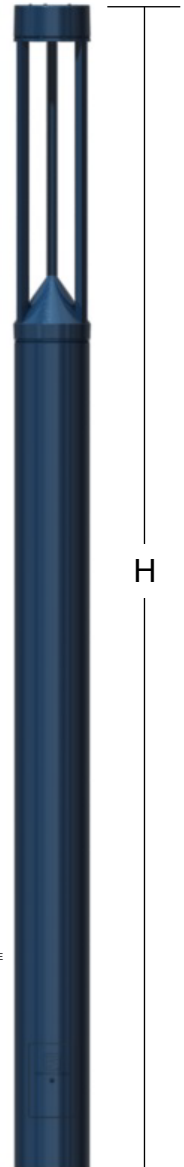
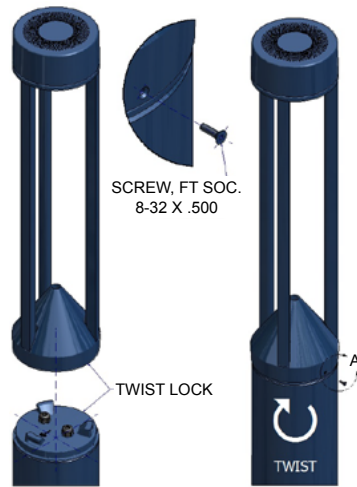
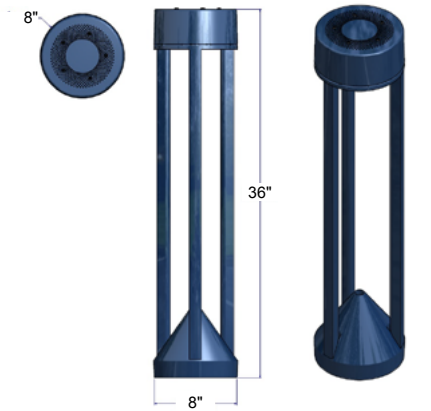
Distribution Orientation:



Product Dimensions and Features

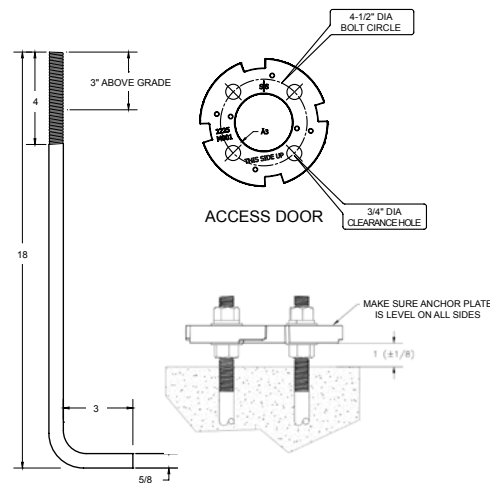
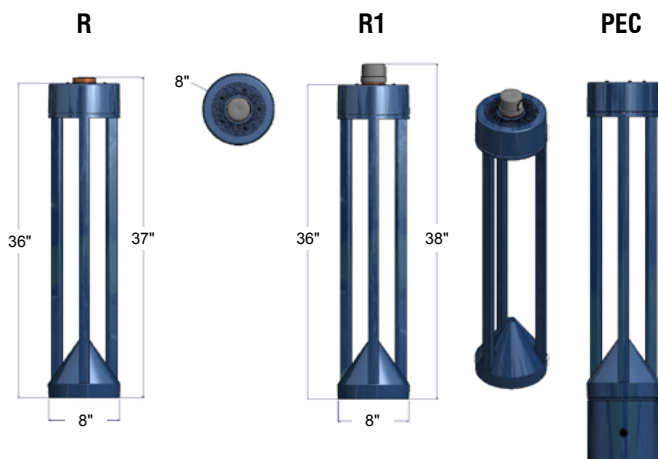
Post Top Mounting Details

Post Top Mounting Configuration

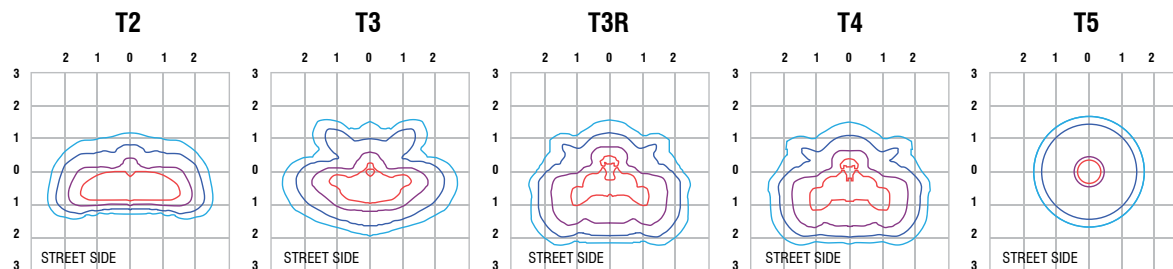


Options

Bolt Circle



ISO Footcandle Plots



All published luminaire photometric testing performed to IESNA LM-79 standards by NVLAP, certified laboratory. ISO footcandle plots demonstrate the RIALTA'S light patterns only. Not for total fixture output. For complete specifications and IES files, see website.