

**MS805A/MS805AO  
MS805B/MS805BO MAIN STREET SERIES**

**SPECIFICATIONS**

**GENERAL**

The MS805 Main Street series is a modern replica of a popularly styled octagonal fixture, available with (A) or without (B) decorative spikes. It shall be appointed with a cast aluminum 6 1/2" decorative spiked finial.

**FITTER**

The fitter shall be heavy wall cast aluminum, 356 alloy for high tensile strength. It shall have an inside diameter opening to attach to 3", 4", 5", 6" or 7" pole or tenon. When ordered with a Sternberg pole, the fitter shall be set screwed to the pole top or tenon.

**BALLAST HOUSING**

The ballast housing shall be heavy wall cast aluminum, 356 alloy for high tensile strength and to ensure high capacity heat sinking of ballast temperatures. Keeping the ballast cooler and ensuring long life. The ballast mounting plate shall be cast aluminum and provide tool-less removal from the housing using 2 ea finger latches.

**ELECTRICAL**

Fixture shall be U.L. or E.T.L. listed in U.S. and Canada. H.I.D. ballasts shall be high power factor with lamp starting down to -30 degrees C. Medium base and mogul base porcelain sockets are 4KV rated. The ballast/socket assembly shall be pre-wired when ballast is located in the fitter. All compact fluorescent (PL) ballasts shall be instant start electronic with a starting temperature of down to 0 degrees F. They shall have a 4-pin socket to accept quad or triple tube lamps. Ballasts shall be DOE EISA compliant.

**FIXTURE HOUSING**

The MS805A fixture shall be 17 1/2" wide (19" on the diagonal) and 38" tall (with 3" tenon). The MS805B fixture shall be 16" wide (17" on the diagonal) and 38" tall (with 3" tenon). It shall be made of heavy wall cast aluminum, 356 alloy and the lens panels shall be made of vandal resistant acrylic, available in clear (CA), clear seeded (CSA), clear textured (CTA), prismatic acrylic (PA) and white acrylic (WA). The roof can be solid or lensed for up-light.

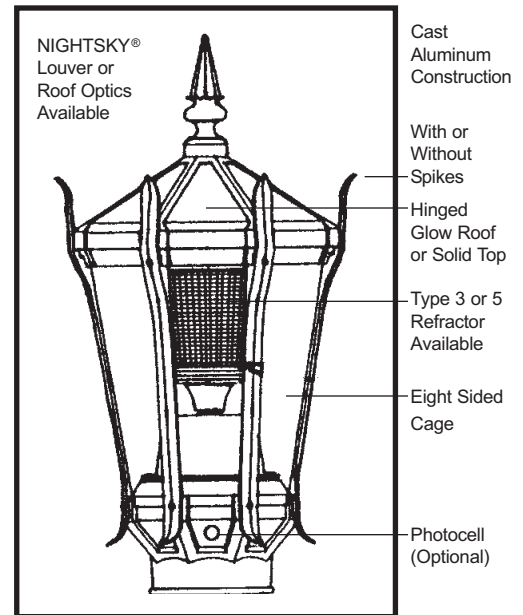
**OPTICAL OPTIONS**

Refractors shall be 6" diameter borosilicate glass with an I.E.S. Type 3 (RE3) or Type 5 (RE5) distribution. It shall be secured to the socket stem with 3/8" plated steel threaded pipe nipple and rest on a cast aluminum holder with anti-shock gasket. The refractor will be secured to cast holder with a quarter-turn internal aluminum twist ring for ease of maintenance.

The NIGHTSKY® OPTI-SHIELD® Louver Optic System (LO) shall be a multi-tier reflector reflector with 7" diameter rings to produce an I.E.S. Cut-off Type 3 or 5 distribution. The Louver Optic System shall be made of highly specular anodized aluminum and shall come standard with medium base socket.

NIGHTSKY® STAR-SHIELD® Roof Optic distributions shall be delivered by hydroformed roof mounted reflector systems which eliminate uplight and provide cut-off. The optional reflector

**See LED SECTION for Specifications on MS805A/B LED MAIN ST. SERIES**

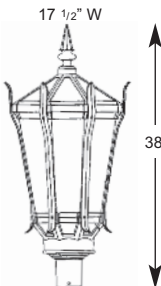

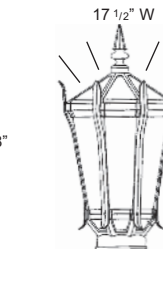
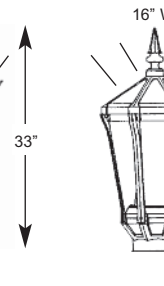

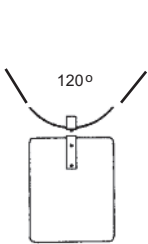
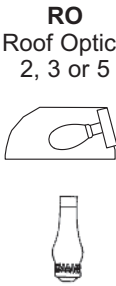



**EPA = 2.46 (ft²)  
WEIGHT = 38 LBS**

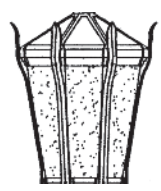
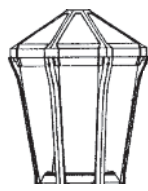
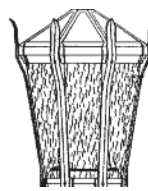
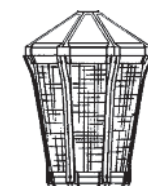
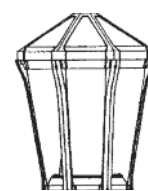
**LIST NOS.  
MS805A  
MS805AO  
MS805B  
MS805BO  
MAIN STREET  
SERIES**

**MS805A/MS805AO MAIN STREET FIXTURES / FITTERS / ARMS PM-WB**  
**MS805B/MS805BO**

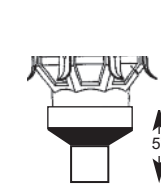
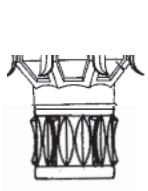
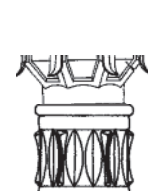
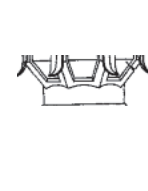
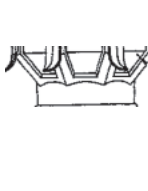
**FIXTURES / OPTICAL SYSTEMS**

 <p>17 1/2" W 38"</p>	 <p>16" W 38"</p>	 <p>17 1/2" W 33"</p>	 <p>16" W 33"</p>	 <p><b>Alzak Disc</b></p>	 <p>120° <b>HSS</b> House Side Shield</p>	 <p><b>RO</b> Roof Optics 2, 3 or 5 <b>FHC</b> Frosted Hurricane Chimney</p>	 <p><b>LO3</b> <b>LO5</b> Louver Optics</p>
<p><b>MS805A</b> With Spikes Solid Roof</p>	<p><b>MS805B</b> Without Spikes Solid Roof</p>	<p><b>MS805AO</b> With Spikes Lensed Roof</p>	<p><b>MS805BO</b> Without Spikes Lensed Roof</p>	<p><b>RE3</b> <b>RE5</b> Refractor</p>	<p><b>HSS</b> House Side Shield</p>	<p><b>RO</b> Roof Optics 2, 3 or 5 <b>FHC</b> Frosted Hurricane Chimney</p>	<p><b>LO3</b> <b>LO5</b> Louver Optics</p>

**LENSES**

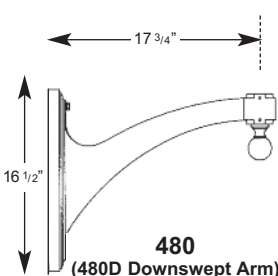
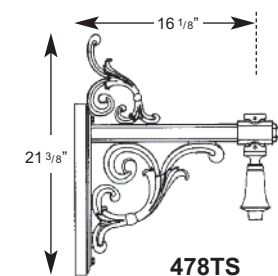
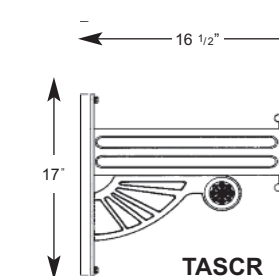
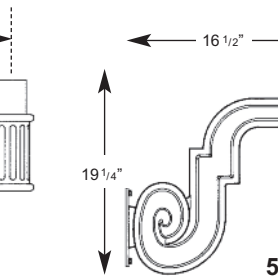
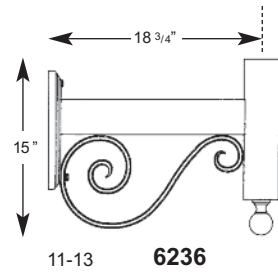
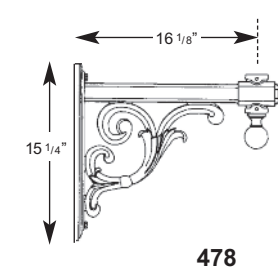
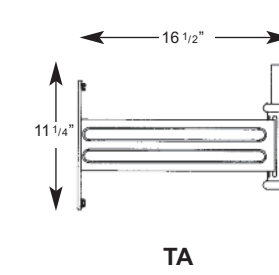
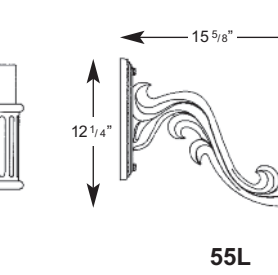
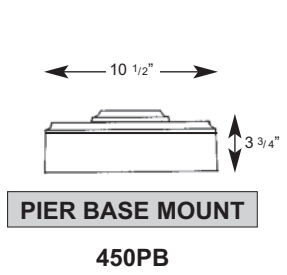
 <p><b>CSA</b> Clear Seeded Acrylic</p>	 <p><b>CA</b> Clear Acrylic</p>	 <p><b>CTA</b> Clear Textured Acrylic</p>	 <p><b>PA</b> Prismatic Acrylic</p>	 <p><b>WA</b> White Acrylic</p>
---	--	--	---	--

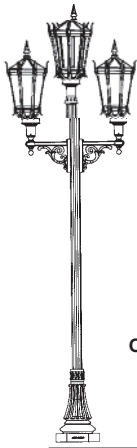
**FITTERS**

 <p>5"</p>	 <p>5"</p>	 <p>6"</p>		
<p><b>/3</b> Fits 3" poles or tenons and arms below</p>	<p><b>BD/4</b> Fits 4" poles or tenons</p>	<p><b>BD/5</b> Fits 5" poles or tenons</p>	<p><b>/6</b> Fits 6" poles or tenons</p>	<p><b>/7</b> Fits 7" poles or tenons</p>

**ARMS - POST MOUNT (PM) or WALL BRACKETS (WB)**

See Arms Section for more information

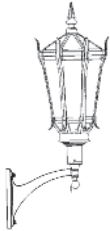
 <p>17 3/4" 16 1/2" <b>480</b> (480D Downswept Arm)</p>	 <p>16 1/8" 21 3/8" <b>478TS</b></p>	 <p>16 1/2" 17" <b>TASC</b></p>	 <p>16 1/2" 19 1/4" <b>579</b></p>
 <p>18 3/4" 15" <b>6236</b></p>	 <p>16 1/8" 15 1/4" <b>478</b></p>	 <p>16 1/2" 11 1/4" <b>TA</b></p>	 <p>15 5/8" 12 1/4" <b>55L</b></p>
 <p>10 1/2" 3 3/4" <b>PIER BASE MOUNT</b> <b>450PB</b></p>			



# BUILDING A PART NUMBER

## POST & ARM FIXTURES

ARM MOUNTED FIXTURE	CENTER POST TOP FIXTURE (PT)	POST	POST CAP	LIGHT SOURCE BALLAST	OPTICS	OPTIONS	LENS	FINISH
NO. OF ARMS	FIXT. / FITTER / POSTARM	FIXTURE / FITTER	(See Post Section)	WATTS / TYPE / VOLTS				
2	MS805A/3/579PM	MS805A/3	PT	3412FP4		100 HPS120	RO3/FHC	PEC1 / CA / BK



## WALL FIXTURES

FIXT. / FITTER / WALLBRACKET	LIGHT SOURCE BALLAST	OPTICS	OPTIONS	LENS	FINISH	PIER FIXTURES
MS805A/3/480WB	100 HPS120	RE5	PEC1	CA	BK	MS805A/3/450PB
						Uses same information boxes as wall fixture

PIER FIXTURES  
Uses same information boxes as wall fixture



PIER BASE

## PART NUMBER SELECTIONS

### FIXTURES

- MS805A
- MS805B
- MS805AO<sup>5</sup>
- MS805BO<sup>5</sup>

### FITTERS

- /3
- BD/4
- BD/5
- /6
- /7

### VOLTAGES

- 120
- 208
- 240
- 277
- 480
- MULTI (120-277)

### POST ARMS

- 478PM
- 478TS
- 480PM
- 480DPM
- 55LPM
- 6236PM
- 579PT
- TAPT
- TASCRC

### OPTICS

- RE3
- RE5
- ALZAK
- HSS
- LO3
- LO5
- RO2<sup>4,6</sup>
- RO3<sup>4,6</sup>
- RO5<sup>4,6</sup>
- FHC<sup>2</sup>

### WALL BRACKET ARMS

- 478WB
- 478TSWB
- 480WB
- 480DWB
- 55LWB
- 6236WB
- 579WB
- TAWB
- TASCRCWB

### PIER MOUNT

- 450PB

### LENSES

- CSA
- CA
- CTA
- PA
- WA

### BALLASTS<sup>3</sup>

- 35HPS<sup>1</sup>
- 50HPS
- 70HPS
- 100HPS
- 150HPS
- 250HPS\*
- 50MHP
- 70MHP
- 100MHP
- 150MHP
- 200MHP
- 250MHP

\*Type AO and BO Lensed Roof limited to 150 watt maximum.

### LAMPS<sup>7</sup>

- HPS35/MED
- HPS50/MED
- HPS70/MED
- HPS100/MED
- HPS150/MED
- HPS250/MOG/ED18
- MH50/MED
- MH70/MED
- MH100/MED
- MH150/MED
- MH200/MOG/ED28
- MH250/MOG/ED28

### STANDARD FINISHES\*

- BKT Black Textured
- WHT White Textured
- PGT Park Green Textured
- ABZT Architectural Medium Bronze Textured
- DBT Dark Bronze Textured

\*Smooth Finishes are available upon request

### CUSTOM FINISHES

- OI Old Iron
- RT Rust
- WBR Weathered Brown
- CD Cedar
- WBK Weathered Black
- TT Two Tone

### STERNBERG SELECT FINISHES

- VG Verde Green
- SI Swedish Iron
- OWGT Old World Gray Textured

### OPTIONS

- PEC1 Photocell-Bimetal 120 Volt
- PEC2 Photocell-Bimetal 208-277 Volt
- PEC1-E Photocell-Electronic 120 Volt
- PEC2-E Photocell-Electronic 208-277 Volt
- FHS Single Fuse and Holder-120, 277 Volt
- FHD Dual Fuse and Holder-208, 240, 480 Volt
- QR Quartz Re-Strike
- PF Pineapple Finial or Font (TA, TASCRC)
- BF Ball Finial or Font (TA, TASCRC)
- LAMPS Select from List

### NOTES:

- <sup>1</sup> 35HPS is 120 volt only.
- <sup>2</sup> MED base only when used to house lamp.
- <sup>3</sup> Medium base sockets standard with ballasts up to 150 watts HID. Mogul base sockets are standard
- with ballasts 200 watts and over. 4-pin for PL.
- <sup>4</sup> Medium base lamp only, ED17. Consult factory for mogul base.
- <sup>5</sup> RE3, RE5 or FHC optics only. 175 watt max.
- <sup>6</sup> Can support PLH or PLT up to 60 watts.
- <sup>7</sup> Metal halide systems are pulse start.

**MS805A/MS805AO**  
**MS805B/MS805BO****MAIN STREET SERIES****SPECIFICATIONS****LIST NO.**  
**MS805A**  
**MS805AO**  
**MS805B**  
**MS805BO**  
**MAIN STREET**  
**SERIES**

shall be sealed for an IP66 rating and shall be available for an IES Type III (RO3) or Type V (RO5) distribution and available for mogul base lamps.

**Frosted Glass Hurricane Chimney (FHC)** is an optic option which adds an authentic touch and can be used with Roof Optics.

**House Side Shield (HSS)** is an option which will block up to 120° of light in any one direction.

**QUARTZ RE-STRIKE**

The MS805 fixtures can be supplied with an optional quartz re-strike system to retain constant fixture light if the H.I.D. lamp fails. The fixture will be equipped with a 100 watt quartz lamp and a controller to run on a 120 volt circuit and must be used in conjunction with a 120 volt or multi-tap ballast.

**PHOTOCELLS**

Photocells shall be either the thermo bi-metal button type or the electronic button type. On single post top fixtures the photocell shall be mounted in the fitter and pre-wired to ballast. On multiple head fixture assemblies photocells shall be mounted in the pole shaft on an access plate and are not pre-wired as ballast housing assemblies and fitters are packaged separately for ease of wiring to source. The thermo bi-metal photocell shall be designed to turn on at 1.0 footcandle and turn off at not more than 5 footcandles. The electronic button type photocell is instant on and a 5-10 second turn off and shall turn on at 1.5 footcandles with a turn-off at 2-3 footcandles. Photocells are either 120 volt or 208 thru 277 volt.

**ARMS**

All arms are made of cast aluminum and/or extruded aluminum. Arms with decorative filigree have meticulously detailed scroll work and gracefully curved brackets. All MS805 fixtures will have its fitter welded or mechanically attached to the arm at the factory to ensure arms will be plumb, secure and level over the life of the installation. Each arm shall be bolted to a post mount adapter, which is welded to the pole to ensure proper alignment to the base. Twin TA, TASC and 579 arms will be attached to a decorative center hub which will slip-fit the center tenon of the pole (not shown). BA and 779 arms are available as a twin application. Arms are pre-wired for ease of installation.

**FINISH**

Prior to coating, each assembly shall be chemically cleaned and etched in a 5-stage washing system which includes alkaline cleaning, rinsing, phosphoric etching, reverse osmosis water rinsing and non-chrome sealing to ensure corrosion resistance and excellent adhesion for the finish coating. The finish coating shall be electrostatically applied semi-gloss, super durable polyester powder baked at 400 degrees for a durable and superior, color retentive finish. Our optional antique Verde Green finish and Swedish Iron finish are hand brushed using a 3-step process. The total assembly shall be wrapped in shockproof wrapping or fully enclosed in corrugated cartons.

**WARRANTY**

Five-year limited warranty. See product and finish warranty guide for details.

