



# MS805\_-XRLED MAIN STREET SERIES

LED

CLICK FOR FAQ'S

EPA 2.46 (ft<sup>2</sup>)  
WEIGHT 38 LBS

5 YEAR WARRANTY

MAXIMUM WATTAGE 91W

UL LISTED

JOB NAME \_\_\_\_\_

FIXTURE TYPE \_\_\_\_\_

MEMO \_\_\_\_\_

## BUILD A PART NUMBER

ORDERING EXAMPLE: **2A-MS805A-3-XRLED- 12L45T5-MDL14-SV1-PEC-FHD/480PM/3412FP4/BKT**

Mounting Config.	Fixture	Fitter	LED	CCT	Type	Driver	Lens	Option Photocontrol	Option Fuse	Arm See Arm Spec Sheets	Pole See Pole Spec Sheets	Finish

### Mounting Configuration

[\(Click here to view mounting configuration sheet\)](#)

- 1W      • 2A90      • 4A      • SH44
- PT      • 2APT      • 4APT      • CH44
- 1A      • 3A      • 1AM
- 1APT      • 3A90      • 2AM
- 2A      • 3APT      • 45OPB

W = Wall Mount    PT = Post Top    APT = Post Top Arm Mid-Mount  
A = Arm Mount    AM = Arm Mid-Mount    PB = Pier Base  
SH = Stem Hung    CH = Chain Hung

### Fixture

- MS805A      • MS805B

### Fitter

- 3      • BD4      • BD5      • 6      • 7

### LED

- XRLED-9L      • XRLED-12L

### CCT - Color Temperature

- 45(00)      • 35(00)      • 27(00)

### Type

- T2      • T3      • T4      • T5

### Driver

- MDL07 (120v-277v, 700mA)<sup>1</sup>
- MDL14 (120v-277v, 1400mA)
- MDH07 (347v-480v, 700mA)<sup>1</sup>
- MDH14 (347v-480v, 1400mA)

<sup>1</sup> For use with 9L system only.

### Lens [\(Click here to link to lens option specification page\)](#)

- SV1      • SV2      • CSA      • CTA
- FA      • PA      • WA

### Options

- PEC Electronic Photocontrol 120-277 Volt
- FHD Dual Fuse & Holder

### Arm [\(Click here to link to arm specification page\)](#)

See Arms & Wall Brackets specification sheets.

- 478      • 55L      • 579      • TASC
- 480      • 6236      • TA

### Pole [\(Click here to link to pole specification page\)](#)

See Pole specification sheets.

### Finish [\(Click here to view paint finish sheet\)](#)

#### Standard Finishes<sup>2</sup>

- BKT Black Textured
- WHT White Textured
- PGT Park Green Textured
- ABZT Architectural Medium Bronze Textured
- DBT Dark Bronze Textured

<sup>2</sup> Smooth finishes are available upon request

#### Custom Finishes<sup>3</sup>

- CM Custom Match
- OI Old Iron
- RT Rust
- WBR Weathered Brown
- CD Cedar
- WBK Weathered Black
- TT Two Tone

<sup>3</sup> Custom colors require upcharge.

#### Sternberg Select Finishes

- VG Verde Green
- SI Swedish Iron
- OWGT Old World Gray Textured

## Specifications

### Fixture

The MS805 Main Street series is a modern replica of a popularly styled octagonal fixture, available with (A) or without (B) decorative spikes. It shall be appointed with a cast aluminum 6-1/2" decorative spiked finial.

### Fitter

The fixture shall be provided with a heavy wall cast aluminum fitter that can accept a 3" OD (3), 4" OD (BD4), 5" OD (BD5), 6" OD (6) or 7" OD (7) pole or tenon. The end of the fitter shall have four (4) stainless steel allen head screws which secures the connection between the fitter and the tenon.

## LED's

The luminaire shall use high output, high brightness LED's. They shall be mounted in arrays, on printed circuit boards designed to maximize heat transfer to the heat sink surface. The arrays shall be downward facing to minimize up-light. The LED's and printed circuit boards shall be environmentally friendly and 100% recyclable, they shall also be protected from moisture and corrosion by a conformal coating of 1 to 3 mils. They shall not contain lead, mercury or any other hazardous substances and shall be RoHS compliant. The LED life rating data shall be determined in accordance with IESNA LM-80. They shall operate in a -40°C (-40°F) to +50°C (122°F) ambient air temperature range. The High Performance white LED's will have a life expectancy of approximately 50,000 hours with not less than 70% of original brightness (lumen maintenance), rated at 25°C. The High Brightness, High Output LED's shall be 4500K (3500K or 2700K option) color temperature with a minimum CRI of 70. The luminaire shall have a minimum \_\_\_\_\_ (see table) delivered initial lumen rating when operated at steady state with an average ambient temperature of 25°C (77°F).

## Optics

The luminaire shall be provided with individual, refractor type optics applied to each LED. The luminaire shall provide Type \_\_\_\_ (2, 3, 4 or 5) light distribution per the IESNA classifications. Testing shall be done in accordance with IESNA LM-79.

## Electronic Driver

The LED driver shall be U.L. Recognized. It shall be securely mounted inside the fixture, for optimized performance and longevity. It shall be supplied with a quick-disconnect electrical connector on the power supply, providing easy power connections and fixture installation. It shall have overload as well as short circuit protection, and have a DC voltage output, constant current design, 50/60HZ. It shall be supplied with line-ground, line-neutral and neutral-ground electrical surge protection

*See next page*

# MS805\_-XRLED MAIN STREET SERIES

LED

in accordance with IEEE/ANSI C62.41.2 guidelines. It shall be dimmable using a 0-10v signal.

**For sources over 50w:** The driver shall have a minimum efficiency of 90%. The driver shall be rated at full load with THD<20% and a power factor of greater than 0.90. The driver shall contain over-heat protection which reduces output to less than half rating if the case temperature reaches 85°C.

**For sources under 50w:** The driver shall have a minimum efficiency of 88%.

## Photocontrols

**Button Style:** On single post top fixtures the photocontrol shall be mounted in the fitter and pre-wired to ballast. On multiple head fixture assembly's photocontrol shall be mounted in the pole shaft on an access plate and are not pre-wired as ballast housing assemblies and fitters are packaged separately for ease of wiring to source. The electronic button type photocontrol is instant on with a 5-10 second turn off, and shall turn on at 1.5 footcandles with a turn-off at 2-3 footcandles. Photocontrol is 120-277 volt and warranted for 6 years.

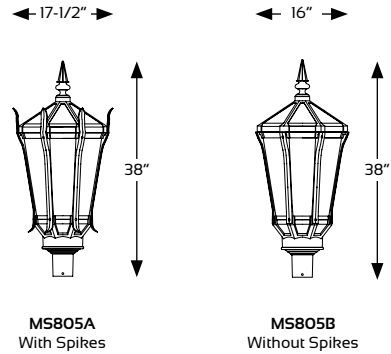
## Warranty

Five-year limited warranty. See product and finish warranty guide for details.

## Finish

Refer to website for details.

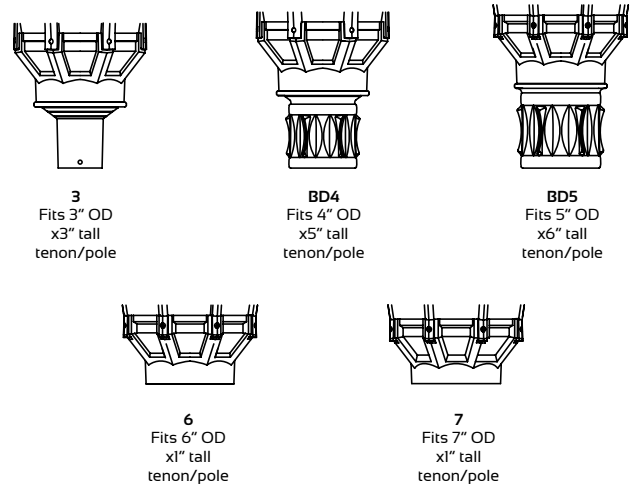
## Fixtures



MS805A  
With Spikes

MS805B  
Without Spikes

## Fitters



3  
Fits 3" OD  
x3" tall  
tenon/pole

BD4  
Fits 4" OD  
x5" tall  
tenon/pole

BD5  
Fits 5" OD  
x6" tall  
tenon/pole

6  
Fits 6" OD  
x1" tall  
tenon/pole

7  
Fits 7" OD  
x1" tall  
tenon/pole

## Performance

LIGHT SOURCE	T2 DELIVERED LUMENS	EFFICACY (LPW)	T3 DELIVERED LUMENS	EFFICACY (LPW)	T4 DELIVERED LUMENS	EFFICACY (LPW)	T5 DELIVERED LUMENS	EFFICACY (LPW)	WATTAGE
12L27T_-MDL21	4235	46.5	4180	45.9	4200	46.2	4425	48.6	91
12L35T_-MDL21	5080	55.8	5020	55.2	5040	55.4	5310	58.4	91
12L45T_-MDL21	5505	60.5	5435	59.7	5460	60.0	5750	63.2	91
12L27T_-MDL14	3230	55.7	3190	55.0	3210	35.3	3360	57.9	58
12L35T_-MDL14	3870	66.7	3825	65.9	3845	66.3	4035	69.6	58
12L45T_-MDL14	4195	72.3	4145	71.5	4170	71.9	4370	75.3	58
09L27T_-MDL14	2560	56.9	2470	54.9	2445	54.3	2690	59.8	45
09L35T_-MDL14	3065	68.1	2960	65.8	2935	65.2	3225	71.7	45
09L45T_-MDL14	3325	73.9	3210	71.3	3180	70.7	3495	77.7	45
09L27T_-MDL07	1440	68.6	1395	66.4	1380	65.7	1560	74.3	21
09L35T_-MDL07	1730	82.4	1675	79.8	1655	78.8	1875	89.3	21
09L45T_-MDL07	1875	89.3	1815	86.4	1790	85.2	2030	96.7	21