



MILLENIA® ML660

The Millenia® ML660 medium post top luminaire is a breakthrough in modern area lighting technology. Its new world urban design transcends traditional lighting convention by seamlessly interweaving form and function to yet another level. Our convective AAD™ "Advanced Air-flow Dynamics" maximizes heat sink expulsion to deliver unsurpassed thermal management for long-life LED performance and energy efficiency.

Available with a myriad of options, the Millenia is perfect for commercial, institutional and municipal markets.



PROJECT: _____

TYPE: _____

ORDERING EXAMPLE: PT-ML660-CA-60L45T5-MDH05-HSS-FHD / UBKT

ML660											
MOUNTING CONFIGURATION	SERIES	LENS	NO. OF LEDS	COLOR TEMP K	DISTRIBUTION TYPE	DRIVER	CONTROLS	HOUSE SIDE SHIELD	DUAL FUSE & HOLDER	COLOR	
PT	Medium Post Top	CA	44L ¹	27(00) K	T2	MDL03	OPTIONS			UBKT	UBK
		SV1*	60L	35(00) K	T3	MDL05	PEC	HSS	FHD	UBT	UB
		SV2**		45(00) K	T3R	MDL07				ULBT	ULB
					T4	MDH03				USLT	USL
					T5	MDH05				UWHT	UWH
					MDH07				UCHS		

PT = Post Top ¹ Only available with MD_03 driver

Product Specs

Optical

- IP66 rated optic module with BUG rating of U-1.
- Utilizes high output, high brightness LEDs.
- Operates at -40°C (-40°F) to +50°C (122°F) ambient air temperature range.
- Minimum CRI of 70, CCT 2700, 3500, and 4500K. Call factory for custom CCT.
- LM-79 and LM-80 tests in accordance with IESNA standards.
- Lumen depreciation rating L₇₀ > 180,000 hrs. Projected per TM-21 guideline and based on 700mA drive current.
- RoHS Compliant.

Electrical

- 120-277 volt standard and 347-480 volt option available.
- Minimum drivers power factor: >0.9.

- Electrical surge protection in accordance with IEEE/ANSI C62.41.2 guidelines (10kV).
- UL or ETL listed in U.S. and Canada.

Mechanical

- Rugged die-cast aluminum housing.
- AAD™ "Advanced Air-flow Dynamics" maximizes heat sink expulsion.
- Advanced self cleaning flow through design.
- Low profile Aero-dynamic design with integrated heat sink for optimum thermal management.
- Tool-less driver access and removeable driver assembly.

Controls

- Supplied with dimmable driver (0-10 volts).
- Optional pole mounted electronic button photocell: PEC 120-277V.

Finish

- Durable, color retentive powder coat finish.
- Perforated windows are black, except when fixture is urban black textured or urban black matte, the perforated windows are silver.

Warranty & Standards

LED Systems and Drivers - 7 years. All fixtures shall be free from all defects in materials and workmanship for a period of 7 years from the date of manufacture. The luminaire manufacturer shall warrant the LED boards/system, during the stated warranty period, against failure defined as more than 10 percent of non-operating LEDs.

Drivers (0-10V dimming):

- MDL03: 350mA, 120-277V
- MDL05: 525mA, 120-277V
- MDL07: 700mA, 120-277V
- MDH03: 350mA, 347-480V
- MDH05: 525mA, 347-480V
- MDH07: 700mA, 347-480V

Lens:

CA - Clear Acrylic

Soft Vue:

SV1* - Flat Medium Diffuse Acrylic Lens

SV2** - Flat Heavy Diffuse Acrylic Lens

*Provides moderate reduction in Brightness while only a minimal reduction in lumen output. **Provides maximum reduction in Brightness while only a nominal reduction in lumen output. Consult photometric files for exact lumen performance.

Colors:

UBKT - Urban Black Textured

UBT - Urban Bronze Textured

ULBT - Urban Light Bronze Textured

USLT - Urban Silver Textured

UWHT - Urban White Textured

UCHS - Urban Champagne Satin Smooth

UBK - Urban Black Matte

UB - Urban Bronze Matte

ULB - Urban Light Bronze Matte

USL - Urban Silver Matte

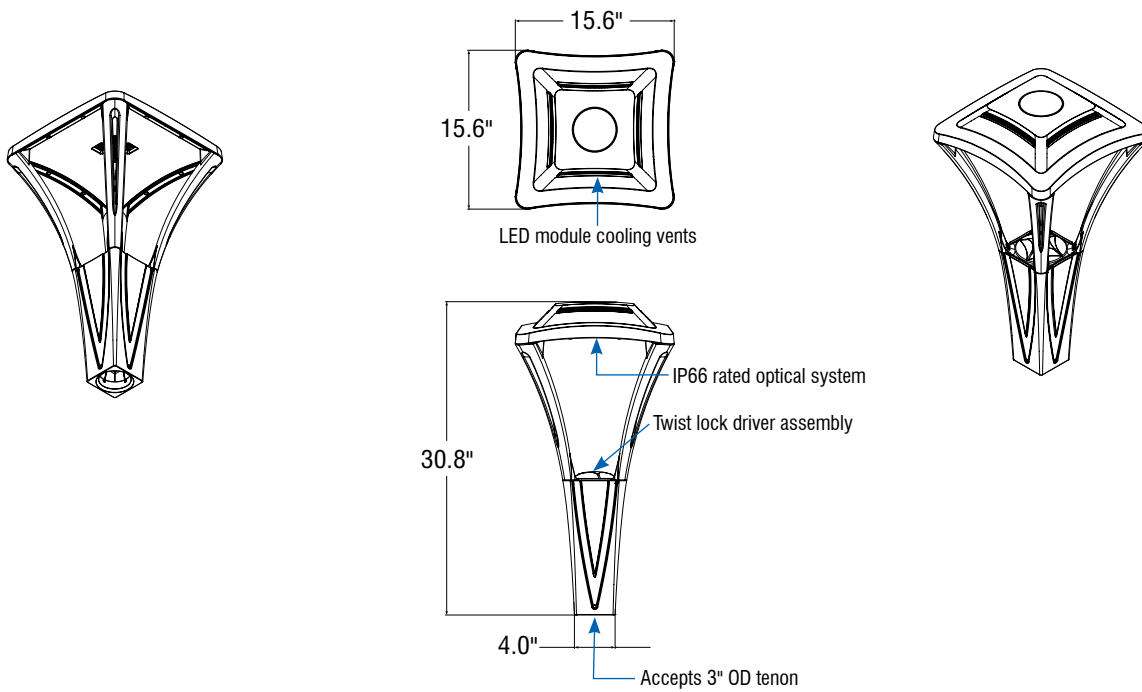
UWH - Urban White Matte

Performance (Based on CA Lens)

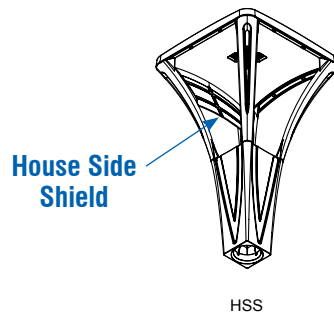
MODEL #	T2 DELIVERED LUMENS	EFFICACY (LPW)	T3 DELIVERED LUMENS	EFFICACY (LPW)	T3R DELIVERED LUMENS	EFFICACY (LPW)	T4 DELIVERED LUMENS	EFFICACY (LPW)	T5 DELIVERED LUMENS	EFFICACY (LPW)	WATTAGE
44L27T_-MD_03	3065	57.8	2820	53.2	2940	55.5	2905	54.8	2945	55.6	53
44L35T_-MD_03	3495	65.9	3215	60.7	3350	63.2	3310	62.5	3360	63.4	53
44L45T_-MD_03	3725	70.3	3430	64.7	3570	67.4	3530	66.6	3580	67.5	53
60L27T_-MD_03	4140	59.1	3860	55.1	3990	57.0	3960	56.6	4030	57.6	70
60L35T_-MD_03	4720	67.4	4405	62.9	4550	65.0	4515	64.5	4595	65.6	70
60L45T_-MD_03	5030	71.9	4695	67.1	4850	69.3	4815	68.8	4895	69.9	70
60L27T_-MD_05	5555	52.9	5195	49.5	5360	51.0	6095	58.0	5415	51.6	105
60L35T_-MD_05	6335	60.3	5925	56.4	6115	58.2	6950	66.2	6175	58.8	105
60L45T_-MD_05	6750	64.3	6310	60.1	6515	62.0	7405	70.5	6580	62.7	105
60L27T_-MD_07	6410	44.8	6275	43.9	6425	44.9	6415	44.9	6480	45.3	143
60L35T_-MD_07	7315	51.2	7155	50.0	7325	51.2	7315	51.2	7390	51.7	143
60L45T_-MD_07	7795	54.5	7625	53.3	7810	54.6	7795	54.5	7875	55.1	143

Product Dimensions and Features

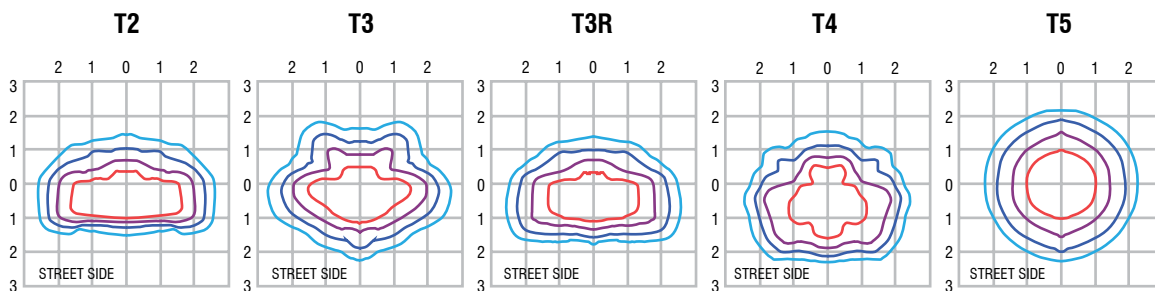
EPA: 1.3 SQUARE FT
WEIGHT: 35 LBS



Other Options



ISO Footcandle Plots



All published luminaire photometric testing performed to IESNA LM-79 standards by NVLAP, certified laboratory. ISO footcandle plots above demonstrate the MILLENIA® ML660 light patterns only. Not for total fixture output. For complete specifications and IES files, see website.



800-621-3376
555 Lawrence Ave., Roselle, IL 60172
info@sternberglighting.com
www.sternberglighting.com