

H420 HUNTER SERIES

SPECIFICATIONS

GENERAL

The H420 Hunter series is a medium scale, architectural down light fixture design that can be used for contemporary or traditional styling. It is offered with a flat or sag glass lens and prismatic acrylic or glass tear drop acorn. It is rated **IP66**. It shall be provided with tool-less access for ease of maintenance.

BALLAST HOUSING

The ballast is housed in the upper section of the 356 alloy cast aluminum roof and is easily accessible by means of hinged roof and captive thumb screws. Lenses are secured to a cast aluminum frame that is hinged and secured to the housing with captive thumb screws or optional lock pins.

ELECTRICAL

The H420 Hunter Series is U.L. or E.T.L. listed in U.S. and Canada. H.I.D. ballasts shall be high power factor with lamp starting down to -30 degrees C. Medium base porcelain, mogul base or T6 bi-pin sockets are 4KV rated. The ballast/socket assembly shall be pre-wired when ballast is located in the fixture. Ballasts shall be DOE EISA compliant.

FIXTURE HOUSING

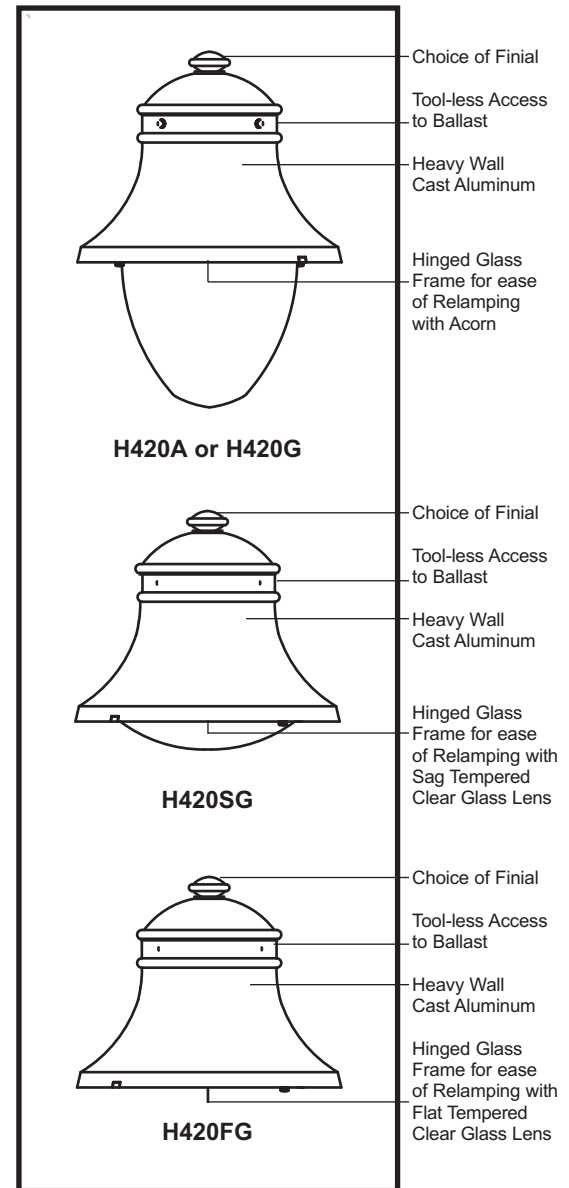
The H420FG clear flat lensed fixture shall be 21" wide and the overall height shall be 17". The H420SG clear sag lensed fixture shall be 21" wide and the overall height shall be 19". They shall be made of heavy wall, 356 alloy cast aluminum.

OPTICAL ASSEMBLY OPTIONS

Optical assembly shall be available with **NIGHTSKY®** **STAR-SHIELD® IP66** sealed roof optic using a one piece hydro-formed reflector with semi-specular finish. The reflector shall be factory sealed to the teardrop globe, flat or sag lens. Optics shall be available for Type II (RO2), Type III (RO3) or Type V (RO5) distribution.

PHOTOCELLS

Photocells shall be roto-lock design only with optional side arm mounting. They shall be either thermal-bimetallic switch type or electronic DC electromagnetic switch type. They shall be mounted in the ballast housing and prewired to the ballast. The thermal bi-metallic type shall be designed to turn on at 1.5 footcandles and turn off at no more than 7 footcandles. The electronic



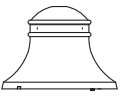

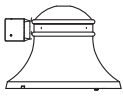
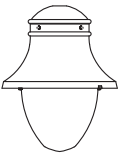
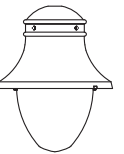


EPA = 0.78 (ft²)
WEIGHT = 25 LBS

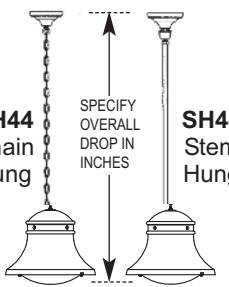
Rated IP66

H420 HUNTER

FIXTURES/FITTERS/ARMS PM-WB

FIXTURES OPTICAL SYSTEMS HANGING BRACKETS

21" W	21" W	21" W	21" W	21" W		
						
H420FG Flat Glass Lens	H420SG Sag Glass Lens	H420FGSM Side Mount	H420A Acrylic Lens	H420G Prismatic Glass Lens	RO Sealed Roof Optics Horizontal Type 2, 3 or 5	FINIALS RS 2B TF

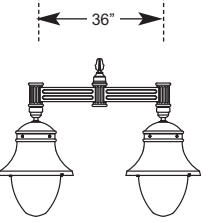
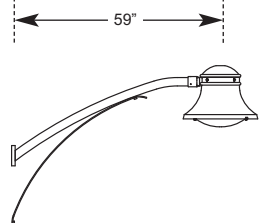
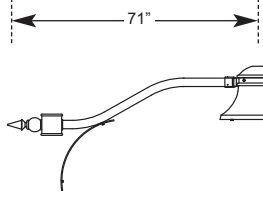
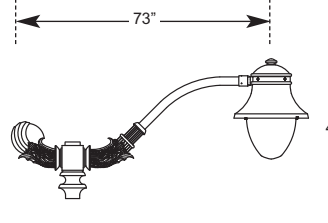
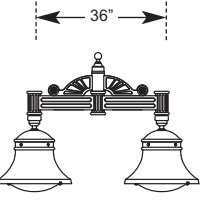
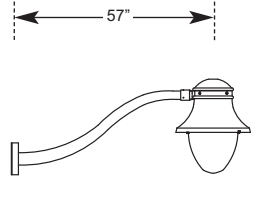
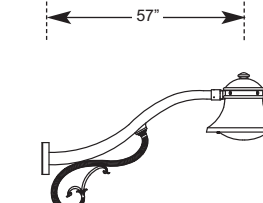
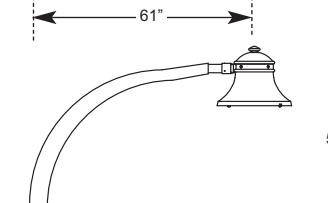
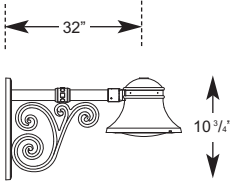
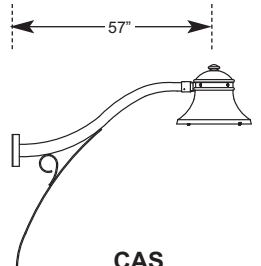
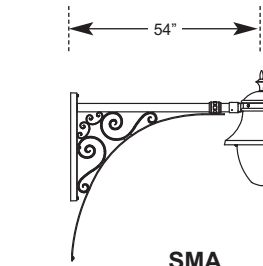
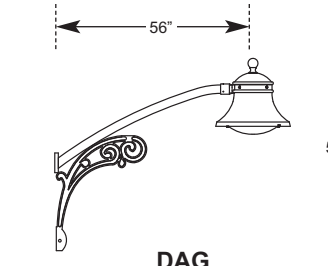
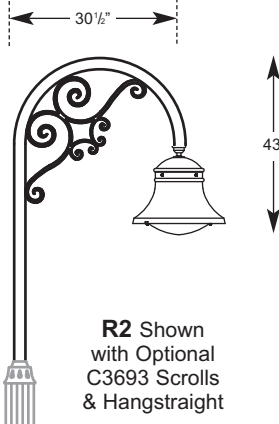
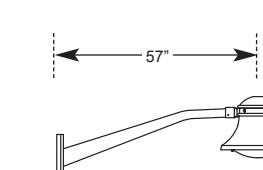
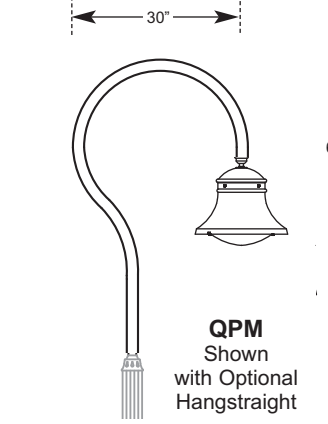


CH44 Chain Hung

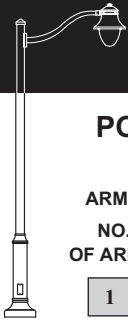
SPECIFY OVERALL DROP IN INCHES

SH44 Stem Hung

ARMS - POST MOUNT or WALL BRACKETS (WB) See Arms Section for more information

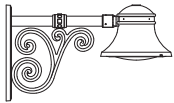
 <p>TAHPT</p> <p>36" (width) x 45" (height)</p>	 <p>CSA</p> <p>59" (width) x 49" (height)</p>	 <p>CCA</p> <p>71" (width) x 37" (height)</p>	 <p>FFA (Shown with RS Finial)</p> <p>73" (width) x 40" (height)</p>
 <p>TAHSUPT</p> <p>36" (width) x 39" (height)</p>	 <p>CA</p> <p>57" (width) x 28" (height)</p>	 <p>CAF</p> <p>57" (width) x 39" (height)</p>	 <p>DA</p> <p>61" (width) x 54" (height)</p>
 <p>678PM (Side Mount)</p> <p>32" (width) x 10 3/4" (height)</p>	 <p>CAS</p> <p>57" (width) x 57" (height)</p>	 <p>SMA (Shown with TF Finial)</p> <p>54" (width) x 49" (height)</p>	 <p>DAG (Shown with 2B Finial)</p> <p>56" (width) x 52" (height)</p>
 <p>R2 Shown with Optional C3693 Scrolls & Hangstraight</p> <p>30 1/2" (width) x 43" (height)</p>	 <p>RA</p> <p>57" (width) x 28" (height)</p>	 <p>QPM Shown with Optional Hangstraight</p> <p>30" (width) x 60" (height)</p>	

BUILDING A PART NUMBER



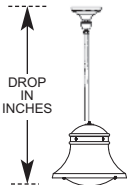
POST & ARM FIXTURES

ARM MOUNTED FIXTURE		POST CAP	LIGHT SOURCE BALLAST	OPTICS	OPTIONS	FINISH
NO. OF ARMS	FIXTURE / POSTARM / FINIAL	(See Post Section)	WATTS / TYPE / VOLTS			
1	H420ASM/CA6/RS	3320P5	100MHP120	RO3	FHS	BKT



WALL FIXTURES

FIXTURE / WALL BRACKET / FINIAL	LIGHT SOURCE BALLAST WATTS / TYPE / VOLTS	OPTICS	OPTIONS	FINISH
H420ASM/678WB	100MHP120	RO3		BKT



HANGING FIXTURES

FIXTURE / LENS / HANGING BRACKET	OVERALL DROP IN INCHES	LIGHT SOURCE BALLAST WATTS / TYPE / VOLTS	OPTICS	OPTIONS	FINISH
H420SG/SH44	48 INCHES	100MHP120	RO3		BKT

PART NUMBER SELECTIONS

FIXTURE

- H420A
- H420G
- H420FG
- H420SG
- H420ASM
- H420GSM
- H420FGSM
- H420SGSM

OPTICS

IP66 SEALED

- RO2
- RO3
- RO5

FINIALS

- RS
- 2B
- TF

OPTIONS

- PEC1 Photocell-Bimetal 120 Volt
- PEC2 Photocell-Bimetal 208-277 Volt
- PEC1-E Photocell-Electronic 120 Volt
- PEC2-E Photocell-Electronic 208-277 Volt
- R Receptacle only for Rotolock Photo Cell
- R1 Rotolock Photo Cell 120-277 Volt
- FHS Single Fuse and Holder-120-277 Volt
- FHD Dual Fuse and Holder-208,240,480 Volt
- QR Quartz Re-Strike
- HS Hangstraight
- LAMPS Select from List
- CC3693 Scrolls

POST ARMS

- 678PM
- CA4
- CA6
- CA8
- CAF4
- CAF6
- CAF8
- CAS4
- CAS6
- CAS8
- CCA4
- CCA6
- CSA4
- CSA6
- CSA8

HANGING BRACKETS

- CH44
- SH44

POST ARMS

- DAG4
- DAG6
- DAG8
- FFA4
- FFA6
- QPM
- RA4
- RA6
- RA8
- R2PM
- SMA4
- SMA6
- TAHPT
- TAHSUPT

WALL BRACKET ARMS

- 678WB
- R2WB
- TAHWB
- TAHSUW

BALLASTS^{1,3}

- 50HPS
- 70HPS
- 100HPS
- 150HPS
- 250HPS
- 50MHP
- 70MHP
- 100MHP
- 150MHP
- 200MHP
- 250MHP
- LED⁴

VOLTAGES

- 120
- 208
- 240
- 277
- 480
- MULTI (120-277)

LAMPS³

- HPS50/MED
- HPS70/MED
- HPS100/MED
- HPS150/MED
- HPS250/MOG/ED18
- MHP50/MED
- MHP70/MED
- MHP100/MED
- MHP150/MED
- MHP200/MOG/T15
- MHP250/MOG/ED28

STANDARD FINISHES*

- BKT Black Textured
- WHT White Textured
- PGT Park Green Textured
- ABZT Architectural Medium Bronze Textured
- DBT Dark Bronze Textured

*Smooth Finishes are available upon request

CUSTOM FINISHES

- OI Old Iron
- RT Rust
- WBR Weathered Brown
- CD Cedar
- WBK Weathered Black
- TT Two Tone

STERNBERG SELECT FINISHES

- VG Verde Green
- SI Swedish Iron
- OWGT Old World Gray Textured

NOTES:

- ¹ Medium base sockets standard with ballasts up to 150 watts HID. Mogul base sockets standard for 200 watts and higher. 4-pin for PLs.
- ² Add (S) Spike or (B) Ball after arm
- to designate type of Finial, if required.
- ³ Metal halide systems are pulse start.
- ⁴ Consult factory for limitations.

H420 HUNTER SERIES

SPECIFICATIONS

**LIST NO.
H420 HUNTER
SERIES**

DC electromagnetic type shall be designed to turn on at 1.0 footcandles and turn off at no more than 3.0 footcandles.

ARMS

All arms are made of cast aluminum and/or extruded aluminum. Arms with decorative filigree have meticulously detailed scroll work and gracefully curved brackets. All Hunter series fixtures shall use a hangstraight mounted to the arm to ensure arms will be plumb, secure and level over the life of the installation.

FINISH

Prior to coating, each assembly shall be chemically cleaned and etched in a 5-stage washing system which includes alkaline cleaning, rinsing, phosphoric etching, reverse osmosis water rinsing and non-chrome sealing to ensure corrosion resistance and excellent adhesion for the finish coating. The finish coating shall be electrostatically applied semi-gloss, super durable polyester powder baked at 400 degrees for a durable and superior, color retentive finish. Our optional antique Verde Green finish and Swedish Iron finish are hand brushed using a 3-step process. The total assembly shall be wrapped in shockproof wrapping or fully enclosed in corrugated cartons.

WARRANTY

Five-year limited warranty. See product and finish warranty guide for details.

