

# E520 EURO SERIES

# SPECIFICATIONS

## GENERAL

The E520 Euro Series is a large scale, contemporary architectural fixture design. It is offered with a flat or sag glass lens and is rated **IP66**. It shall be provided with tool-less access for ease of maintenance.

## BALLAST HOUSING

The ballast is housed in the 356 alloy cast aluminum roof and is easily accessible by means of a hinged glass frame and captive screws. The ballast/reflector tray assembly can be easily removed or rotated with tool-less designed captive fasteners.

## ELECTRICAL

The E520 Euro Series is U.L. or E.T.L. listed in U.S. and Canada. H.I.D. ballasts shall be high power factor with lamp starting down to -30 degrees C. Medium base porcelain sockets or mogul base sockets are 4KV rated. The ballast/socket assembly shall be pre-wired when ballast is located in the fixture. Ballasts shall be DOE EISA compliant.

## FIXTURE HOUSING

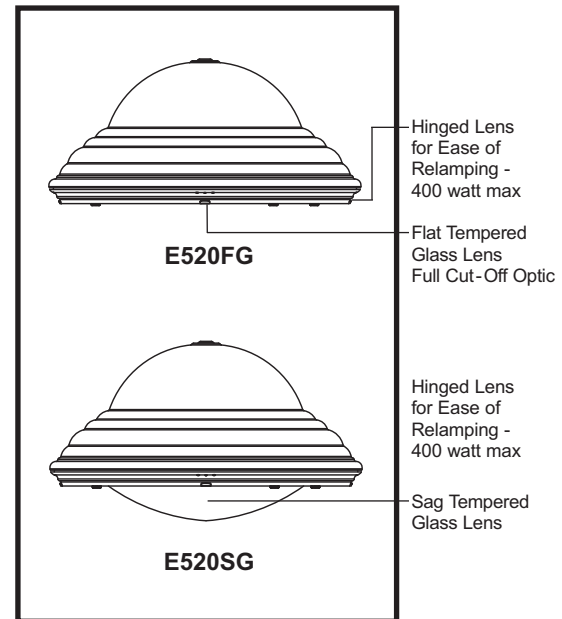
The E520FG flat lensed fixture shall be 27" wide and the overall height shall be 12 1/2". The E520SG sag lensed fixture shall be 27" wide and the overall height shall be 15 1/2". They shall be made of heavy wall, 356 alloy cast aluminum.

## OPTICAL ASSEMBLY OPTIONS

Optical assembly shall be available with **NIGHTSKY® STAR-SHIELD®** segmented roof optics with distribution delivered by multi-segmented reflector systems or **NIGHTSKY® STAR-SHIELD® IP66** sealed roof optic with a one piece hydro formed reflector with semi specular finish. The reflector shall be factory sealed to the flat or sag lens. Optics shall be available for Type II, III, IV or V distribution.

## PHOTOCELLS

Photocells shall be the electronic button type. On single fixture assemblies the photocell shall be mounted in the fixture housing, pre-wired to ballast. On multiple head fixture assemblies photocells shall be mounted in the pole shaft on an access plate and are not pre-wired as ballast housing assemblies and fitters are packaged separately for ease of wiring to source. The electronic button type photocell is instant on and a 5-10 second turn off and shall turn on at 1.5 footcandles with a turn-off at 2-3 footcandles. Photocells are 120-277 volt.



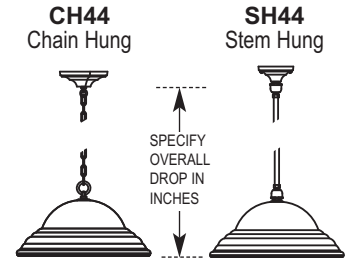
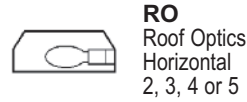
**E520FG EPA = 1.10 (ft<sup>2</sup>)  
WEIGHT = 40 LBS**

**Rated IP66**

# E520 EURO

# FIXTURES/FITTERS/ARMS PM-WB

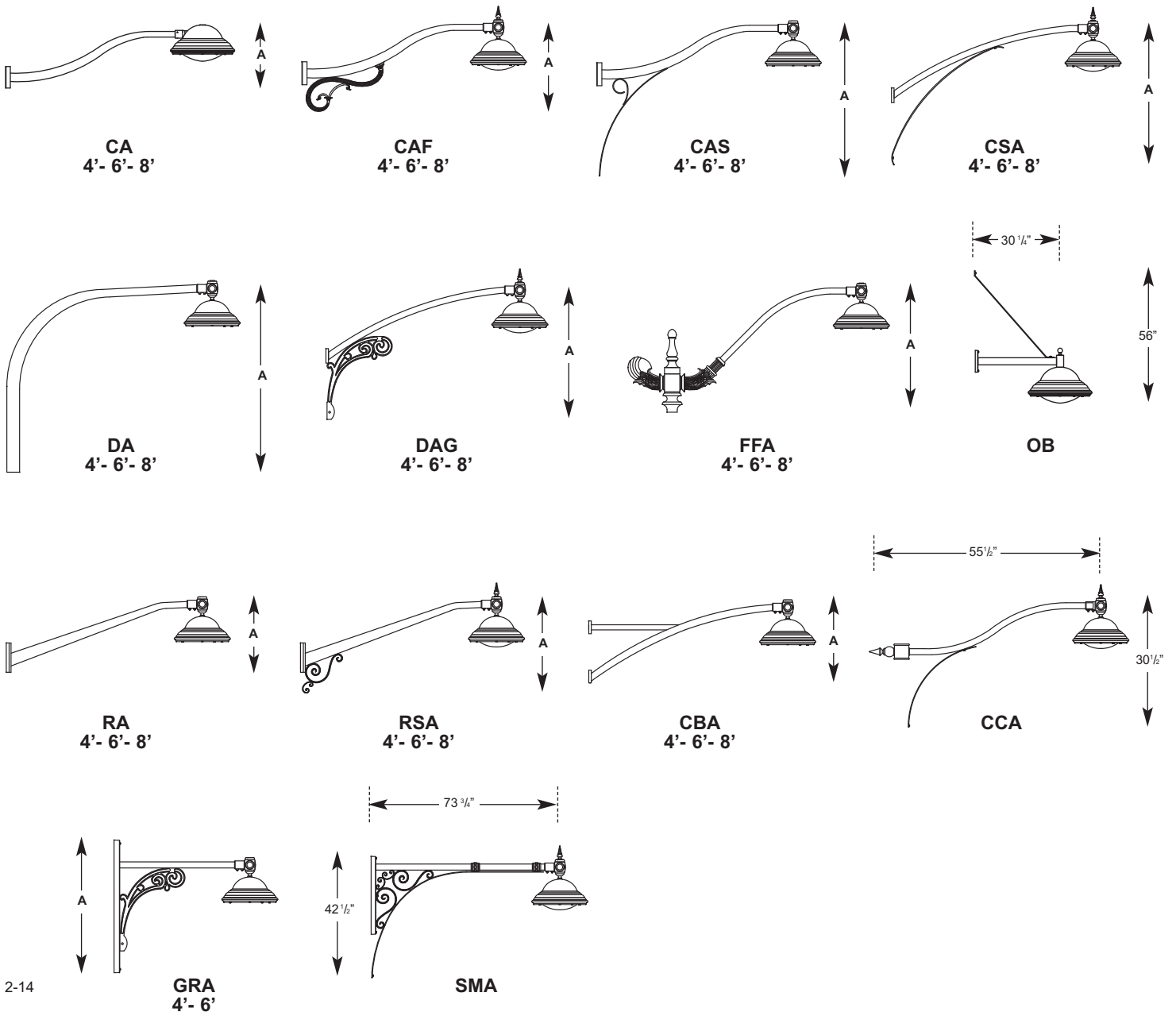
**FIXTURES** **OPTICAL SYSTEMS** **HANGING BRACKETS**



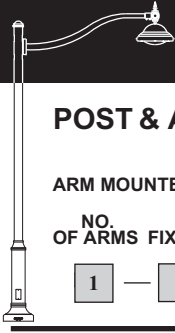
**ARMS - POST MOUNT or WALL BRACKETS (WB)** See Arms Section for more information

A - Height of Arm Varies Depending on the Length.

Some Arms are Shown with Optional Hangstraight Fitting.



# BUILDING A PART NUMBER



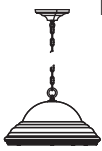
## POST & ARM FIXTURES

ARM MOUNTED FIXTURE	CENTER POST TOP FIXTURE (PT)	POST	POST CAP	LIGHT SOURCE BALLAST	OPTICS	OPTIONS	FINISH	
NO. OF ARMS	FIXTURE / POSTARM	FIXT./FITTER	(See Post Section)	WATTS / TYPE / VOLTS				
1	E520SG/CA6		3320P5 PT	BC	400 MHP120	RO3	HS/FHS	BKT



## WALL FIXTURES

FIXTURE / WALL BRACKET	LIGHT SOURCE BALLAST	OPTICS	OPTIONS	FINISH
WATTS / TYPE / VOLTS				
E520SG/GRA4WB	100 MHP120	RO3	FHS/HS	BK



## HANGING FIXTURES

FIXTURE / LENS / HANGING BRACKET	OVERALL DROP IN INCHES	LIGHT SOURCE BALLAST	OPTICS	OPTIONS	FINISH
WATTS / TYPE / VOLTS					
E520SG/CH44	48 INCHES	100 MHP120	RO3	FHS	BKT

## PART NUMBER SELECTIONS

### FIXTURE

- E520FG
- E520SG
- E520FGSM
- E520SGSM

### OPTICS

- RO2
- RO3
- RO4
- RO5

### IP66 SEALED OPTIC

- RO2
- RO3
- RO5

### OPTIONS

- PEC Photocell-Electronic 120-277 Volt
- R Receptacle only for Rotolock Photo Cell
- R1 Rotolock Photo Cell 120-277 Volt
- FHS Single Fuse and Holder-120-277 Volt
- FHD Dual Fuse and Holder-208,240,480 Volt
- QR Quartz Re-Strike
- HS Hangstraight
- LAMPS Select from List

### POST ARMS

- CA4-6-8<sup>2</sup>
- CAF4-6-8<sup>2</sup>
- CAS4-6-8<sup>2</sup>
- CBA4-6-8<sup>2</sup>
- CCA4-6-8<sup>2</sup>
- CSA4-6-8<sup>2</sup>
- DA4-6-8<sup>2</sup>
- DAG4-6-8<sup>2</sup>
- FFA4-6-8<sup>2</sup>
- OB<sup>2</sup>
- RA4-6-8<sup>2</sup>
- RSA4-6-8<sup>2</sup>
- GRA4-6-8<sup>2</sup>
- SMA4-6-8<sup>2</sup>
- 478EFPM
- 678PM

### WALL BRACKET ARMS

- GRAWB
- GRA4WB
- SMAWB
- SMA4WB

### HANGING BRACKETS

- CH44
- SH44

### VOLTAGES

- 120
- 208
- 240
- 277
- 480
- MULTI (120-277)

### BALLASTS<sup>1,3</sup>

- 50HPS
- 70HPS
- 100HPS
- 150HPS
- 250HPS
- 400HPS
- 50MHP
- 70MHP
- 100MHP
- 175MHP<sup>4</sup>
- 200MHP
- 250MHP
- 400MHP
- 320MHP
- 350MHP
- 42PLT
- 57PLT
- 70PLT
- INCAND

### LAMPS<sup>3</sup>

- HPS50/MED
- HPS70/MED
- HPS100/MED
- HPS150/MED
- HPS250/MOG/ED18
- HPS400/MOG/ED18
- MHP50/MED
- MHP70/MED
- MHP100/MED
- MHP150/MED
- MHP175/MOG/ED28<sup>4</sup>
- MHP200/MOG/T15
- MHP250/MOG/ED28
- MHP320/MOG/ED28
- MHP350/MOG/ED28
- MHP400/MOG/ED28
- PLT26
- PLT32
- PLT42
- PLT/42/Gx24q
- PLT/57/Gx24q
- PLT/70/Gx24q

### STANDARD FINISHES\*

- BKT Black Textured
- WHT White Textured
- PGT Park Green Textured
- ABZT Architectural Medium Bronze Textured
- DBT Dark Bronze Textured

\*Smooth Finishes are available upon request

### CUSTOM FINISHES

- OI Old Iron
- RT Rust
- WBR Weathered Brown
- CD Cedar
- WBK Weathered Black
- TT Two Tone

### STERNBERG SELECT FINISHES

- VG Verde Green
- SI Swedish Iron
- OWGT Old World Gray Textured

### NOTES:

- <sup>1</sup> Medium base sockets standard with ballasts up to 150 watts HID. Mogul base sockets standard for 200 watts and higher. 4-pin for PL.
- <sup>2</sup> Add (S) Spike or (B) Ball after arm
- to designate type of Finial if required.
- <sup>3</sup> Metal halide systems are pulse start.
- <sup>4</sup> Consult factory for limitations.

**E520 EURO SERIES****SPECIFICATIONS****LIST NO.  
E520 EURO  
SERIES****ARMS**

All arms are made of cast aluminum and/or extruded aluminum. Arms with decorative filigree have meticulously detailed scroll work and gracefully curved brackets. All Euro Series fixtures shall use a hangstraight mounted to the arm to ensure arms will be plumb, secure and level over the life of the installation.

**FINISH**

Prior to coating, each assembly shall be chemically cleaned and etched in a 5-stage washing system which includes alkaline cleaning, rinsing, phosphoric etching, reverse osmosis water rinsing and non-chrome sealing to ensure corrosion resistance and excellent adhesion for the finish coating. The finish coating shall be electrostatically applied semi-gloss, super durable polyester powder baked at 400 degrees for a durable and superior, color retentive finish. Our optional antique Verde Green finish and Swedish Iron finish are hand brushed using a 3-step process. The total assembly shall be wrapped in shockproof wrapping or fully enclosed in corrugated cartons.

**WARRANTY**

Five-year limited warranty. See product and finish warranty guide for details.