

E352 / E355 MONACO SERIES

SPECIFICATIONS

GENERAL

The E352/E355 Monaco series is a stylized lantern fixture which consists of a cast aluminum fitter, cast aluminum cage, cast ballast housing assembly and a high efficiency polycarbonate or acrylic clear textured prismatic lens. It shall be appointed with a cast aluminum decorative finial.

FITTER

The fitter shall be heavy wall cast aluminum, 356 alloy for high tensile strength. It shall have an 9" inside diameter opening to attach to the 8 1/4" neck of the prismatic lens. When ordered with a Sternberg aluminum pole, the fitter shall be set screwed to the pole top or tenon. The fitter shall have a one-piece ring bug gasket to resist insect penetration into lamp assembly.

BALLAST HOUSING

The ballast housing shall be heavy wall cast aluminum, 356 alloy for high tensile strength. The housing shall be cast as an integral part of the fitter to prevent water entry into the ballast compartment and to ensure high capacity heat sinking of ballast temperatures, keeping the ballast cooler and ensuring long life. The ballast mounting plate shall be cast aluminum and provide tool-less removal from the housing using 2 snap latches.

ELECTRICAL

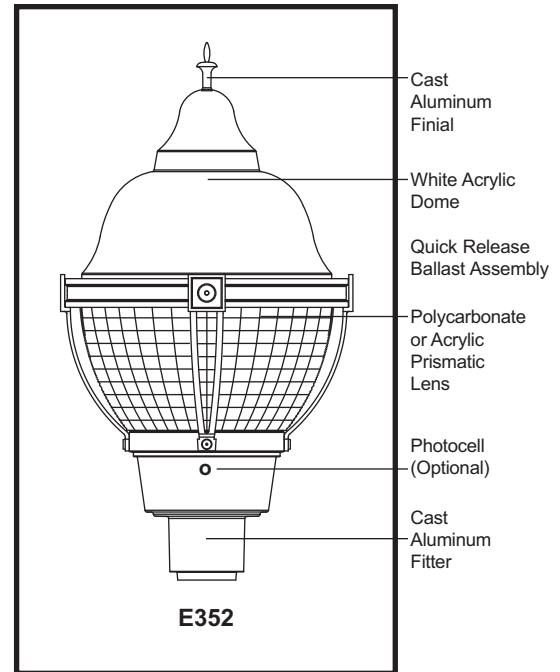
Fixture shall be U.L. or E.T.L. listed in U.S. and Canada. H.I.D. ballasts shall be high power factor with lamp starting down to -30 degrees C. Medium base and mogul base porcelain sockets are 4KV rated. The ballast/socket assembly shall be pre-wired when ballast is located in the fitter (medium socket only). Mogul sockets require an unballasted fixture. All compact fluorescent (PL) ballasts shall be instant start electronic with a starting temperature of down to 0 degrees F. They shall have a 4-pin socket to accept quad or triple tube lamps. Ballasts shall be DOE EISA compliant.

FIXTURE HOUSING

The fixture housing shall be 17 1/4" in diameter and 18 1/2" tall. Its basket shall be made up of a 10" tall decorative cast aluminum with 4 decorative cast support legs. It shall cradle a 16" in diameter by 7" tall prismatic lens having an 8 1/4" diameter neck. It shall be made of vandal resistant clear textured polycarbonate or dent resistant (DR) clear textured acrylic. The prismatic lens can be specified in either an I.E.S. Type 2 (Model E352) or Type 5 (Model E355) light distribution.

OPTICAL

The prismatic lens can be specified with an optional reflector (RSC) which will provide a semi cut-off light effect. This will provide reduced up-light and improved downward efficiency.

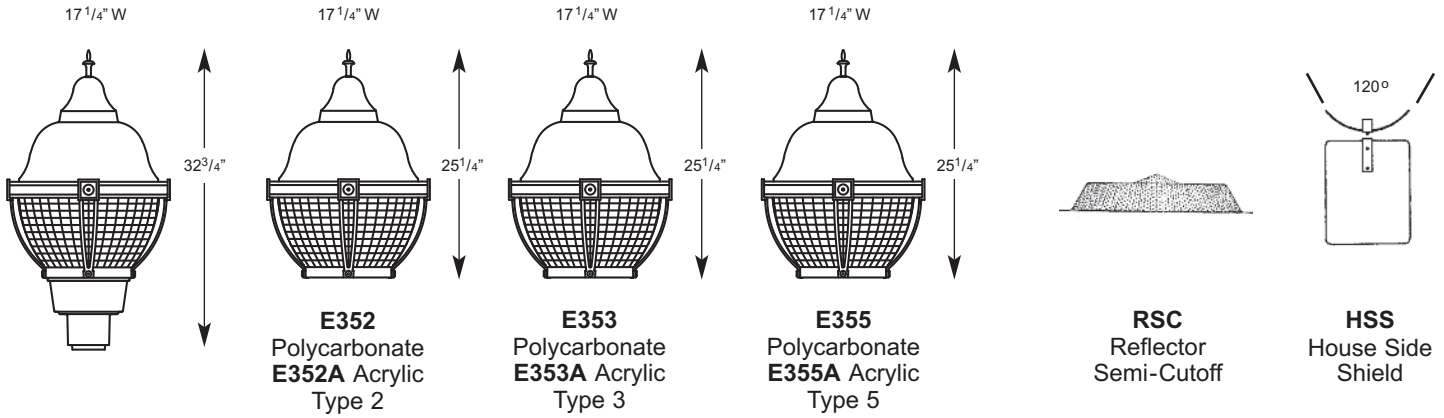


**EPA = 0.00 (ft²)
WEIGHT = 00 LBS**

E352 / E355 MONACO

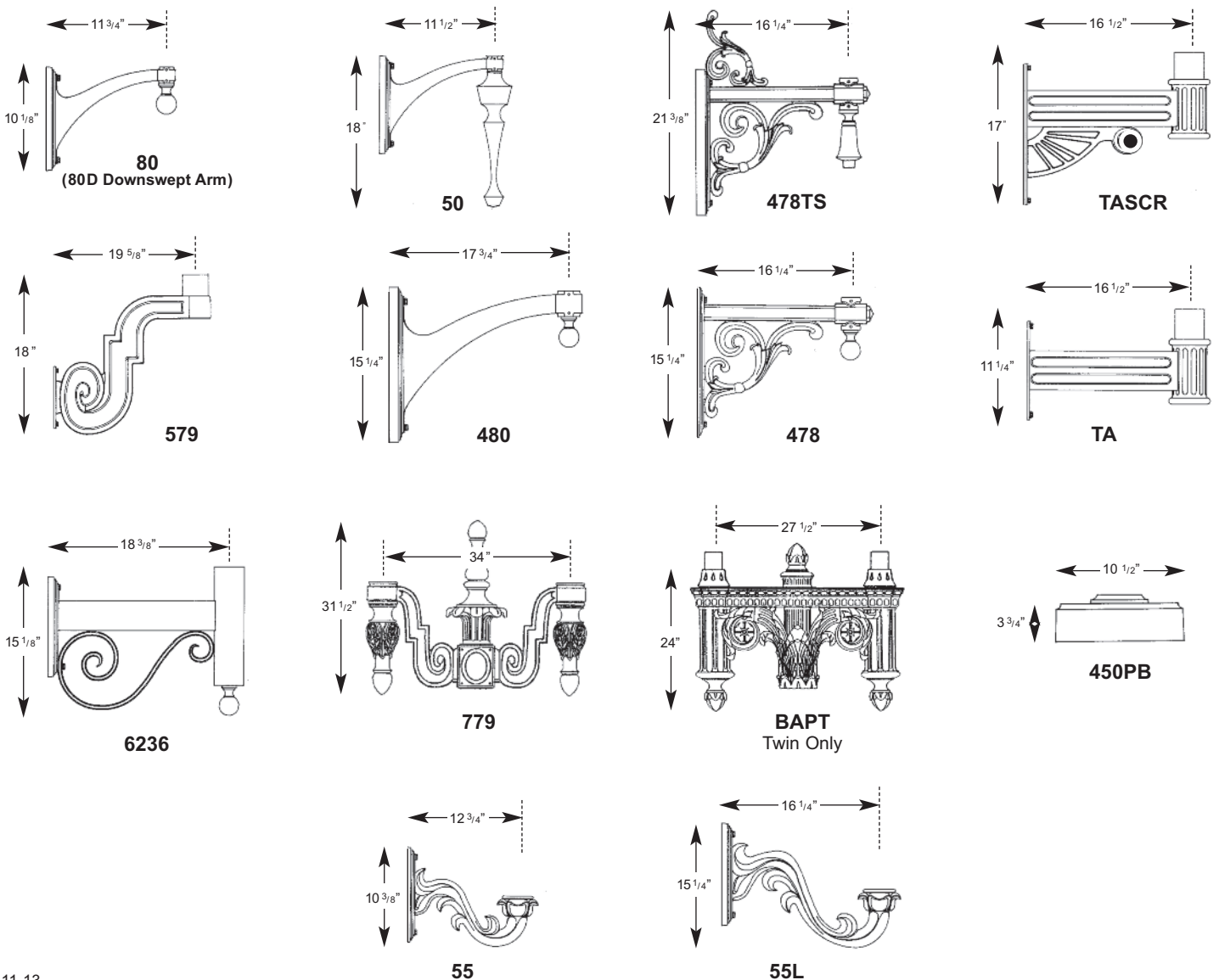
ACORNS / FITTERS / ARMS PM - WB

ACORNS / OPTIONAL TOPS / OPTICAL SYSTEMS



ARMS - POST MOUNT (PM) or WALL BRACKETS (WB)

See Arms Section for more information



BUILDING A PART NUMBER



POST & ARM FIXTURES

ARM MOUNTED FIXTURE		CENTER POST TOP FIXTURE (PT)	POST	POST CAP	LIGHT SOURCE BALLAST	OPTICS	OPTIONS	LENS	FINISH
NO. OF ARMS	FIXT. / POSTARM	FIXTURE	(See Post Section)		WATTS / TYPE / VOLTS				
		E352	PT	650T5-12	100 HPS120		HPS100/MED		BK



WALL FIXTURES

FIXT. / WALLBRACKET	LIGHT SOURCE BALLAST	OPTICS	OPTIONS	FINISH
WATTS / TYPE / VOLTS				
E352/80DWB	100 HPS120		HPS100/MED	BK



PIER BASE
Uses same information boxes as wall fixture

1432A/450PB

FIXTURE / FITTER / PIER BASE

PART NUMBER SELECTIONS

FIXTURES

- E352
- E352A
- E353
- E353A
- E355
- E355A

VOLTAGES

- 120
- 208
- 240
- 277
- 480
- MULTI (120-277)

POST ARMS

- 50PM
- 50DPM
- 478PM
- 478TSPM
- 80PM
- 80DPM
- 480PM
- 480DPM
- 55PM
- 55LPM
- 779PT
- 6236PM
- 579PT
- TAPT
- TASCRIPT
- BAPT
- Twin Only

WALL BRACKET ARMS

- 50WB
- 50DWB
- 478WB
- 478TSWB
- 80WB
- 80DWB
- 480WB
- 480DWB
- 55WB
- 55LWB
- 6236WB
- 579WB
- TAWB
- TASCROWB

PIER BASE

- 450PB

BALLASTS^{2,3}

- 35HPS¹
- 50HPS
- 70HPS
- 100HPS
- 150HPS
- 250HPS*
- 50MHP
- 70MHP
- 100MHP
- 150MHP
- 200MHP⁴
- 250MHP⁴
- 26PLT
- 32PLT
- 42PLT
- 57PLT
- 70PLT
- INCAND
- QL55*

LAMPS³

- HPS35/MED
- HPS50/MED
- HPS70/MED
- HPS100/MED
- HPS150/MED
- HPS250/MOG/ED18⁴
- MHP50/MED
- MHP70/MED
- MHP100/MED
- MHP150/MED
- MHP200/MOG/ED28⁴
- MHP250/MOG/ED28⁴
- PLT26
- PLT32
- PLT42
- PLT57
- PLT70

OPTICS

- RSC
- HSS

STANDARD FINISHES*

- BKT Black Textured
- WHT White Textured
- PGT Park Green Textured
- ABZT Architectural Medium Bronze Textured
- DBT Dark Bronze Textured

*Smooth Finishes are available upon request

CUSTOM FINISHES

- OI Old Iron
- RT Rust
- WBR Weathered Brown
- CD Cedar
- WBK Weathered Black
- TT Two Tone

STERNBERG SELECT FINISHES

- VG Verde Green
- SI Swedish Iron
- OWGT Old World Gray Textured

OPTIONS

- PEC1 Photocell-Bimetal 120 Volt
- PEC2 Photocell-Bimetal 208-277 Volt
- PEC1-E Photocell-Electronic 120 Volt
- PEC2-E Photocell-Electronic 208-277 Volt
- FHS Single Fuse & Holder-120,277 Volt
- FHD Dual Fuse & Holder-208,240,480 Volt
- QR Quartz Re-Strike
- BF Ball Finial or Font (TA, TASCRT)
- LAMPS Select from List

*Consult factory for specification details

NOTES:

- ¹ 35HPS is 120 volt only.
- ² Medium base sockets standard with ballasts up to 150 watts HID. Mogul base sockets can be
- used however ballast would be remote mounted. 4-pin for PL.
- ³ Metal halide systems are pulse start.
- ⁴ Consult factory for limitations.

E352 / E355 MONACO SERIES**SPECIFICATIONS****LIST NO.
E352 / E355
MONACO
SERIES**

House Side Shield (HSS) is an option that will block 120° of light in any one direction.

QUARTZ RE-STRIKE

The E352/E355 fixture can be supplied with an optional quartz re-strike system to retain constant fixture light if the H.I.D. lamp fails. The fixture will be equipped with a 100 watt quartz lamp and a controller to run on a 120 volt circuit and must be used in conjunction with a 120 volt or multi-tap ballast.

PHOTOCELLS

Photocells shall be either the thermo bi-metal button type or the electronic button type. On single post top fixtures the photocell shall be mounted in the fitter and pre-wired to ballast. On multiple head fixture assemblies photocells shall be mounted in the pole shaft on an access plate and are not pre-wired as ballast housing assemblies and fitters are packaged separately for ease of wiring to source. The thermo bi-metal photocell shall be designed to turn on at 1.0 footcandle and turn off at not more than 5 footcandles. The electronic button type photocell is instant on and a 5-10 second turn off and shall turn on at 1.5 footcandles with a turn-off at 2-3 footcandles. Photocells are either 120 volt or 208 thru 277 volt.

ARMS

All arms are made of cast aluminum and/or extruded aluminum. Arms with decorative filigree have meticulously detailed scroll work and gracefully curved brackets. All E352/E355 fixtures will have its fitter either welded to the arm or will be mechanically attached at the factory to ensure arms will be plumb, secure and level over the life of the installation. Each arm shall be bolted to a post mount adapter, which is welded to the pole to ensure proper alignment to the base. Twin TA, TASCER and 579 arms will be attached to a decorative center hub which will slip-fit the center tenon of the pole (not shown). BA and 779 arms are available as a twin application. Arms are pre-wired for ease of installation.

FINISH

Prior to coating, each assembly shall be chemically cleaned and etched in a 5-stage washing system which includes alkaline cleaning, rinsing, phosphoric etching, reverse osmosis water rinsing, and non-chrome sealing to ensure corrosion resistance and excellent adhesion for the finish coating. The finish coating shall be electrostatically applied semi-gloss, super durable polyester powder baked at 400 degrees for a durable and superior, color retentive finish. Our optional antique Verde Green finish and Swedish Iron finish are hand brushed using a 3-step process. The total assembly shall be wrapped in shockproof wrapping or fully enclosed in corrugated cartons.

WARRANTY

Five-year limited warranty. See product and finish warranty guide for details.

