

A453 /A455 PALMETTO SERIES

SPECIFICATIONS

GENERAL

The A453 /A455 Palmetto series is a stylized Victorian acorn fixture which consists of a decorative cast aluminum fitter, cast ballast housing assembly and a high efficiency polycarbonate or acrylic prismatic acorn globe. It features a gracefully detailed aluminum roof and shall be appointed with a cast aluminum decorative urn finial.

FITTER - STANDARD

The fitter shall be heavy wall cast aluminum, 356 alloy for high tensile strength. It shall have an 8 1/2" inside diameter opening to attach to the 8" neck of the acorn globe. When ordered with a Sternberg aluminum pole, the fitter shall be welded to the pole top or tenon for safety and to ensure the fixture will be plumb, secure and level over the life of the installation. The fitter shall have a one-piece ring bug gasket to resist insect penetration into lamp assembly.

STANDARD FITTER-TL FOR QUICK & TOOL-LESS REMOVAL OF ACORN

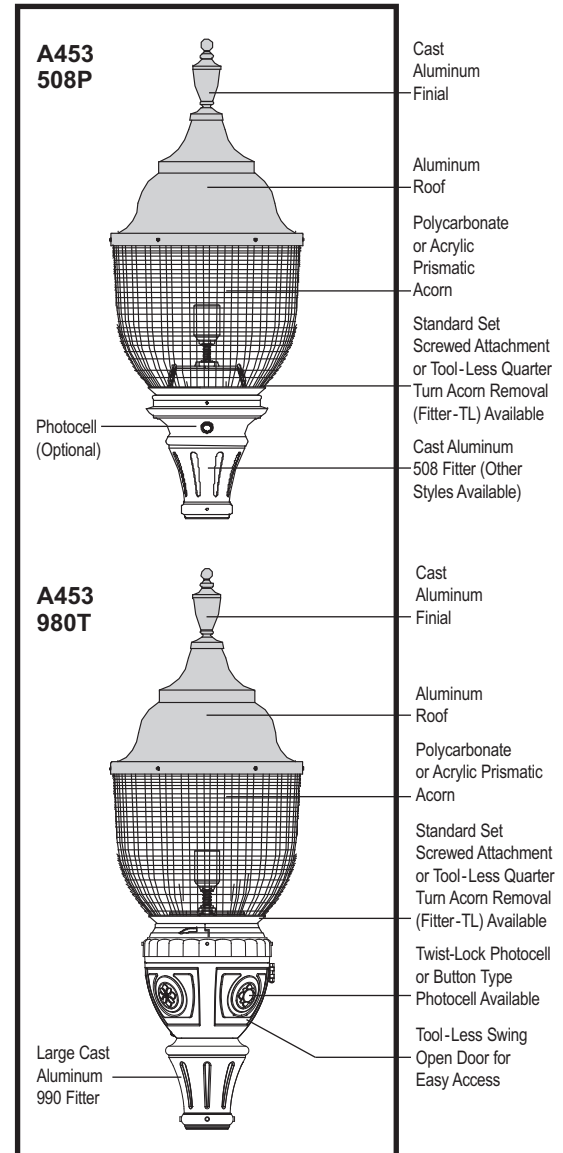
The fitter shall be heavy wall cast aluminum, 356 or 360 alloy for high tensile strength. It shall have an 9 1/4" inside diameter opening to attach to the 8" neck of the acorn globe. When ordered with a Sternberg aluminum pole, the fitter shall be set screwed to the pole top or tenon. The fitter shall have an aluminum die cast twist-lock mechanism for tool-less, 1/4 turn installation and removal of acorn globe. The acorn is provided with a die cast mating collar which is easily removed and reused if acorn replacement is ever performed.

990 FITTER SERIES OPTION

The fitter shall be heavy wall cast aluminum, 360 die cast alloy for high tensile strength. It shall have a 9 1/4" inside diameter opening to attach to the 8" neck of the acorn globe. It shall have a hinged, tool-less entry door that provides open access to all of the components. The 990 shall have an optional terminal block for ease of wiring, an optional Twist-Lock Photocell receptacle, an optional single GFCI outlet for auxiliary power needs. The top mounted ballast mounting plate shall be cast aluminum and provide tool-less removal from the housing using 2 finger latches. When ordered with a Sternberg aluminum pole, the fitter shall be set screwed to the pole top or tenon. The fitter shall have a one-piece ring bug gasket to resist insect penetration into lamp assembly. When supplied with GFI receptacle a hole will be provided for cord and plug installation with the access door closed. When cord and plug is not in use a filler plug will be provided and shall be tethered to the fitter for easy recovery and installation.

990 TL FITTER (OPTIONAL)

The TL (Twist-Lock) fitter version of the 990 shall have an aluminum die-cast twist-lock mechanism. The tool-less 1/4 turn action allows for easy globe removal and replacement. A die-cast ring assembly is mechanically attached to the globe and is removable if the globe is broken or replaced.



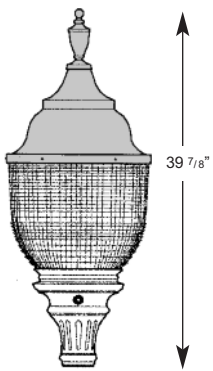
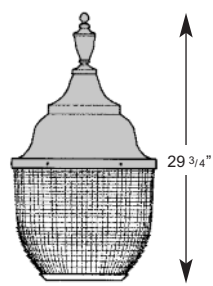
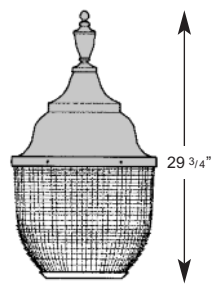
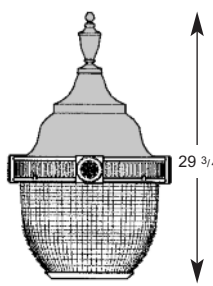

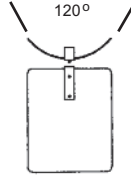
**EPA = 1.95 (ft²)
WEIGHT = 28 LBS**

**LIST NO.
A453/A455
PALMETTO
SERIES**












A453/A455 PALMETTO

FIXTURES / FITTERS / ARMS PM - WB

FIXTURES / OPTIONAL TOPS / OPTICAL SYSTEMS

 <p>16 1/4" W 39 7/8" H</p>	 <p>16 1/4" W 29 3/4" H</p>	 <p>16 1/4" W 29 3/4" H</p>	 <p>18" W 29 3/4" H</p>	 <p>CDR-CL Custom Logo</p>	 <p>120° HSS House Side Shield</p>
	<p>A453 Polycarbonate A453A Acrylic Type 3</p>	<p>A455 Polycarbonate A455A Acrylic Type 5</p>	<p>CDR Option Cast Aluminum Decorative Ring</p>		

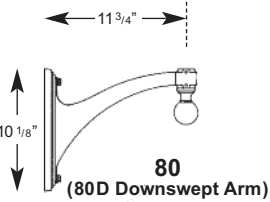
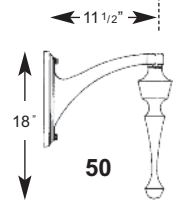
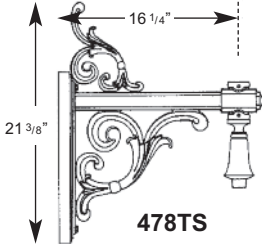
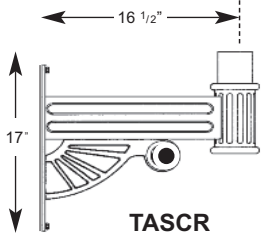
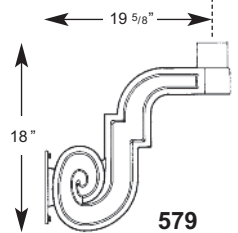
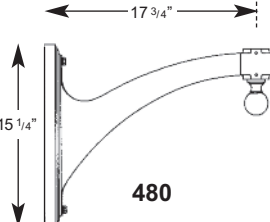
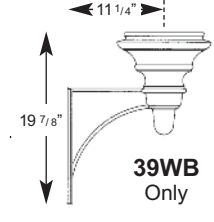
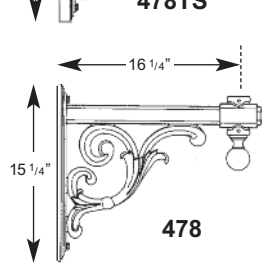
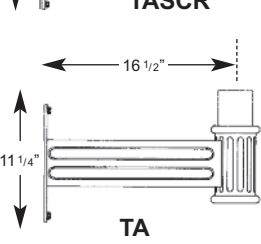
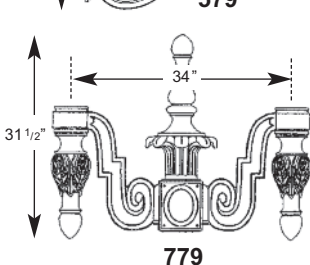
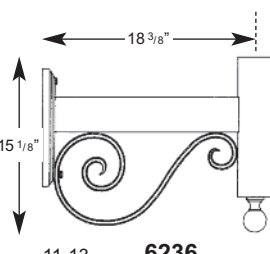

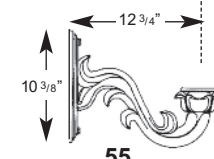
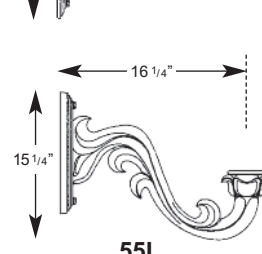
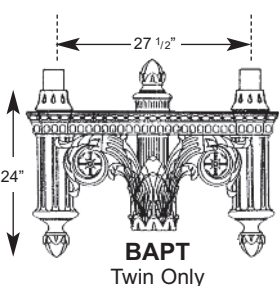
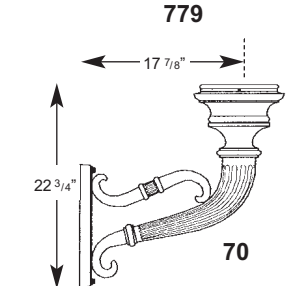
FITTERS

 <p>10 5/8" W 10 1/2" H</p>	 <p>10 1/2" W 10 5/8" H</p>	 <p>10 1/2" W 10 1/2" H</p>	 <p>10 5/8" W 11 3/8" H</p>	 <p>10 5/8" W 11 3/8" H</p>	 <p>10 1/2" W 11 3/8" H</p>	 <p>10 5/8" W 14 1/4" H</p>	 <p>10 1/2" W 15 3/8" H</p>	 <p>10 1/2" W 13 3/8" H</p>	 <p>10 1/2" W 13 3/8" H</p>	 <p>10 1/2" W 15 3/8" H</p>
<p>5P or 5T* (508) Fits 3" poles or tenons and arms below</p>	<p>BD4 (508BD4) Fits 4" poles or tenons</p>	<p>BD5 (508BD5) Fits 5" poles or tenons</p>	<p>B7 (508B7) Fits 7" poles or tenons</p>	<p>BD7 (508BD7) Fits 7" poles or tenons</p>	<p>7 or 7T* (708) Fits 4" poles or tenons - 3" with adapter & large arms</p>	<p>588 (ART DECO 1) Fits 3" poles or tenons and arms below</p>	<p>990 or 990T* Fits 3" poles or tenons and large arms</p>	<p>991 or 991T* Fits 3" poles or tenons and large arms</p>	<p>992 or 992T* Fits 3" poles or tenons and large arms</p>	<p>993 or 993T* Fits 3" poles or tenons and large arms</p>

*Twist Lock Acorn (Fitter TL)

ARMS - POST MOUNT (PM) or WALL BRACKETS (WB)

See Arms Section for more information

 <p>11 3/4" W 10 1/8" H 80 (80D Downswept Arm)</p>	 <p>11 1/2" W 18" H 50</p>	 <p>16 1/4" W 21 3/8" H 478TS</p>	 <p>16 1/2" W 17" H TASC</p>	 <p>19 5/8" W 18" H 579</p>
 <p>17 3/4" W 15 1/4" H 480</p>	 <p>11 1/4" W 19 7/8" H 39WB Only</p>	 <p>16 1/4" W 15 1/4" H 478</p>	 <p>16 1/2" W 11 1/4" H TA</p>	 <p>34" W 31 1/2" H 779</p>
 <p>18 3/8" W 15 1/8" H 6236</p>	 <p>10 1/2" W 3 3/4" H 450PB</p>	 <p>12 3/4" W 10 3/8" H 55</p>	 <p>16 1/4" W 15 1/4" H 55L</p>	 <p>27 1/2" W 24" H BAPT Twin Only</p>
				 <p>17 7/8" W 22 3/4" H 70</p>

BUILDING A PART NUMBER



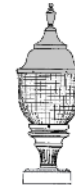
POST & ARM FIXTURES

ARM MOUNTED FIXTURES		CENTER POST TOP FIXTURE (PT)	POST	POST CAP	LIGHT SOURCE BALLAST	OPTICS	OPTIONS	LENS	FINISH
NO. OF ARMS	FIXT. / FITTER / POSTARM	FIXTURE / FITTER	(See Post Section)	WATTS / TYPE / VOLTS					
		A453/5P PT	4212FP4	100HPS120		PEC1			BKT



WALL FIXTURES

FIXT. / FITTER / WALLBRACKET	LIGHT SOURCE BALLAST	OPTICS	OPTIONS	FINISH
A453/5P/50WB	100HPS120		PEC1	BKT



PIER BASE
Uses same information boxes as wall fixture

A453/5P/450PB

FIXTURE / FITTER / PIER MOUNT

PART NUMBER SELECTIONS

FIXTURES

- A453
- A453A
- A455
- A455A

FITTERS

- 5P or 5T
- 7 or 7T
- 990 or 990T
- 991 or 991T
- 992 or 992T
- 993 or 993T
- BD4
- BD5
- BD7
- B7
- 588

POST ARMS

- 50PM
- 50DPM
- 78PM
- 478PM
- 478TSPM
- 80PM
- 80DPM
- 480PM
- 480DPM
- 55PM
- 55LPM
- 779PT
- 6236PM
- 579PT
- TAPT
- TASCRIPT
- BAPT
Twin Only

WALL BRACKET ARMS

- 50WB
- 50DWB
- 78WB
- 478WB
- 478TSWB
- 70WB**
- 80WB
- 80DWB
- 480WB
- 480DWB
- 55WB
- 55LWB
- 6236WB
- 579WB
- TAWB
- TASCRRWB
- 39WB**

**No fitter required

BALLASTS^{2,4}

- 35HPS¹
- 50HPS
- 70HPS
- 100HPS
- 150HPS
- 250HPS
- 50MHP
- 70MHP
- 100MHP
- 150MHP
- 200MHP
- 250MHP

PIER BASE

- 450PB

LAMPS⁴

- HPS35/MED
- HPS50/MED
- HPS70/MED
- HPS100/MED
- HPS150/MED
- HPS250/MOG/ED18
- MHP50/MED
- MHP70/MED
- MHP100/MED
- MHP150/MED
- MHP200/MOG/ED28
- MHP250/MOG/ED28

OPTICS

- HSS

VOLTAGES

- 120
- 208
- 240
- 277
- 480
- MULTI (120-277)

STANDARD FINISHES*

- BKT Black Textured
- WHT White Textured
- PGT Park Green Textured
- ABZT Architectural Medium Bronze Textured
- DBT Dark Bronze Textured

*Smooth Finishes are available upon request

CUSTOM FINISHES

- OI Old Iron
- RT Rust
- WBR Weathered Brown
- CD Cedar
- WBK Weathered Black
- TT Two Tone

STERNBERG SELECT FINISHES

- VG Verde Green
- SI Swedish Iron
- OWGT Old World Gray Textured

OPTIONS

- CDR Cast Decorative Ring
- CDR-CL Cast Decorative Ring with Custom Logo
- PBDR Perforated Brass Decorative Ring
- PEC1 Photocell-Bimetal 120 Volt
- PEC2 Photocell-Bimetal 208-277 Volt
- PEC1-E Photocell-Electronic 120 Volt
- PEC2-E Photocell-Electronic 208-277 Volt
- R³ Receptacle Only for Twist-Lock Photo Cell
- R1³ Twist-Lock Photo Cell 120-277 Volt
- G³ GFI 15 Amp for 990 Fitter
- FHS Single Fuse & Holder-120,277 Volt
- FHD Dual Fuse & Holder-208,240,480 Volt
- QR Quartz Re-Strike
- PF Pineapple Finial or Font (TA, TASCRT)
- BF Ball Finial or Font (TA, TASCRT)
- LAMPS Select from List

NOTES:

- 35HPS is 120 volt only.
- Medium base sockets standard with ballasts up to 150 watts. Mogul base sockets are standard with ballasts 200 watts HID and over.
- For 990 or 990T series fitter only.
- Metal halide systems are pulse start.

A453/A455 PALMETTO SERIES

SPECIFICATIONS

**LIST NO.
A453/A455
PALMETTO
SERIES****OPTICAL OPTION**

House Side Shield (HSS) is an option which will block up to 120° of light in any one direction.

ELECTRICAL

Fixture shall be U.L. or E.T.L. listed in U.S. and Canada. H.I.D. ballasts shall be high power factor with lamp starting down to -30 degrees C. Medium base and mogul base porcelain sockets are 4KV rated. The ballast/socket assembly shall be pre-wired when ballast is located in the fitter. Ballasts shall be DOE EISA compliant.

QUARTZ RE-STRIKE

The A453/A455 fixture can be supplied with an optional quartz re-strike system to retain constant fixture light if the H.I.D. lamp fails. The fixture will be equipped with a 100 watt quartz lamp and a controller to run on a 120 volt circuit and must be used in conjunction with a 120 volt or multi-tap ballast.

PHOTOCELLS

Photocells shall be either the thermo bi-metal button type or the electronic button type. On single post top fixtures the photocell shall be mounted in the fitter and pre-wired to ballast. On multiple head fixture assemblies photocells shall be mounted in the pole shaft on an access plate and are not pre-wired as ballast housing assemblies and fitters are packaged separately for ease of wiring to source. The thermo bi-metal photocell shall be designed to turn on at 1.0 footcandle and turn off at not more than 5 footcandles. The electronic button type photocell is instant on and a 5-10 second turn off and shall turn on at 1.5 footcandles with a turn-off at 2-3 footcandles. Photocells are either 120 volt or 208 thru 277 volt.

ARMS

All arms are made of cast aluminum and/or extruded aluminum. Arms with decorative filigree have meticulously detailed scroll work and gracefully curved brackets. All A453/A455 fixtures will have its fitter either welded to the arm or will be mechanically attached at the factory to ensure arms will be plumb, secure and level over the life of the installation. Each arm shall be bolted to a post mount adapter, which is welded to the pole to ensure proper alignment to the base. TA and 579 arms will be attached the decorative center hub which will fit the center tenon of the pole. Arms are pre-wired for ease of installation.

FINISH

Prior to coating, each assembly shall be chemically cleaned and etched in a 5-stage washing system which includes alkaline cleaning, rinsing, phosphoric etching, reverse osmosis water rinsing, and non-chrome sealing to ensure corrosion resistance and excellent adhesion for the finish coating. The finish coating shall be electrostatically applied semi-gloss, super durable polyester powder baked at 400 degrees for a durable and superior, color retentive finish. Our optional antique Verde Green finish and Swedish Iron finish are hand brushed using a 3-step process. The total assembly shall be wrapped in shockproof wrapping or fully enclosed in corrugated cartons.

WARRANTY

Five-year limited warranty. See product and finish warranty guide for details.

