

961 FAIRFAX SERIES

SPECIFICATIONS

GENERAL

The 961 Fairfax series is a tall, Colonial four-sided fixture. It features consist of a decorative cast sloped, paneled roof, a cast cage with straight edging, acrylic lens and a lift hinge access door and/or hinged roof for relamping. The roof shall be appointed with a cupola and cast decorative pedestal ball finial.

POST FITTER

The fitter or base shall be heavy wall cast aluminum, 356 alloy for high tensile strength. It shall have an inside diameter opening to fit a 3" diameter pole or tenon. When ordered with a Sternberg aluminum pole, the fitter shall be set screwed to the pole top or tenon.

BALLAST

The ballast shall be remote mounted in the base of the pole, pole shaft, arm or ballast box. The 961BB shall be an integral ballast compartment. The ballast housing shall be heavy wall cast aluminum, 356 alloy for high tensile strength. The housing shall be mounted cast in one piece to the fitter to ensure a water-tight compartment. The ballast shall be attached to the ballast housing to ensure high capacity heat sinking of ballast temperatures, keeping the ballast cooler and ensuring long life. The ballast shall be mounted on a pull out door for easy ballast maintenance.

ELECTRICAL

Fixture shall be U.L. or E.T.L. listed in U.S. and Canada. H.I.D. ballasts shall be high power factor with lamp starting down to -30 degrees C. Medium base and mogul base porcelain sockets are 4KV rated. The ballast/socket assembly shall be pre-wired when ballast is located in the fixture. All compact fluorescent (PL) ballasts shall be instant start electronic with a starting temperature of down to 0 degrees F. They shall have a 4-pin socket to accept quad or triple tube lamps. Ballasts shall be DOE EISA compliant.

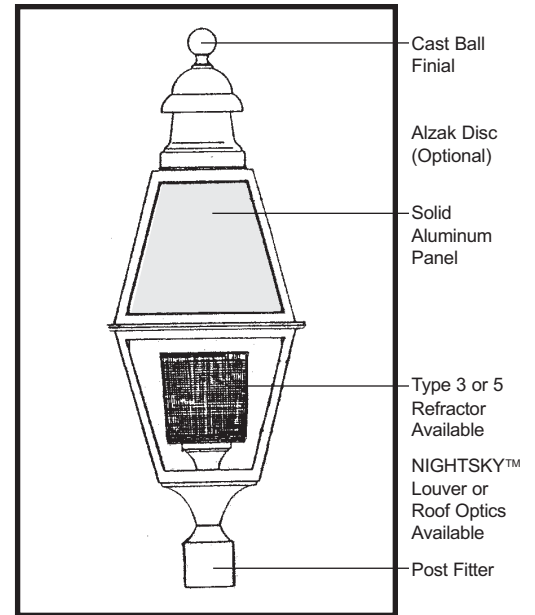
FIXTURE HOUSING

The 961 fixture shall be 14 1/4" wide and the overall height shall have 39 1/2". It shall be made of heavy wall cast aluminum, 356 alloy and lenses shall be made of vandal resistant acrylic, available in clear (CA), clear seeded (CSA), clear textured (CTA), prismatic (PA), and white (WA) acrylic. The fixture cage shall cast in one piece and shall have a lift hinged door. The four paneled roof shall be closed with solid aluminum panels. Model 961GT shall have an open roof that will be lensed. The Model 961 cage shall a closed bottom. The Model 961FB shall have a four legged open cage plate.

OPTICAL OPTIONS

Refractors shall be 6" diameter borosilicate glass with an I.E.S. Type 3 (RE3) or Type 5 (RE5) distribution. It shall be secured to the socket stem with 3/8" plated steel threaded pipe nipple and rest on a cast aluminum holder with anti-shock gasket. The refractor will be secured to cast holder with a quarter-turn internal aluminum twist ring for ease of maintenance.

The NIGHTSKY® OPTI-SHIELD® Louver Optic System (LO) shall be a multi-tier reflector with 7" diameter rings to produce an I.E.S. cut-off Type 3 or 5 distribution.

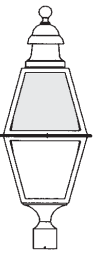
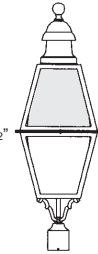
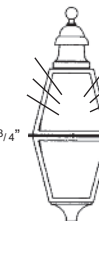
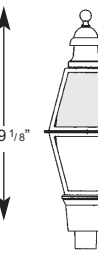

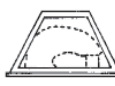

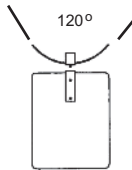
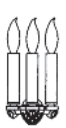
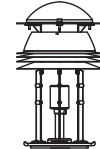


EPA = 2.75 (ft²)
WEIGHT = 20 LBS

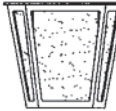
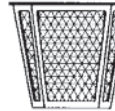
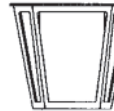
961 FAIRFAX

FIXTURES/ARMS PM-WB

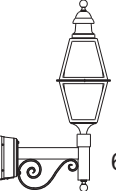
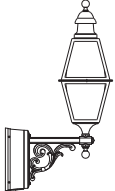


FIXTURES / OPTICAL SYSTEMS

 961 Post Top Version	 961FB Frog Base	 961GT Glow Top	 961BB Ballast Box	 964 Spiked Ladder Rest	 ROH Roof Optics 3 or 5	 Alzak Disc	 HSS House Side Shield	 3L 3 Light	 LO3 LO5 Louver Optics
--	--	---	--	---	--	--	--	---	--

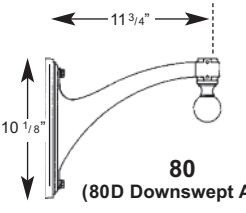
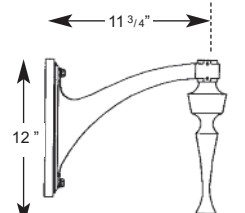
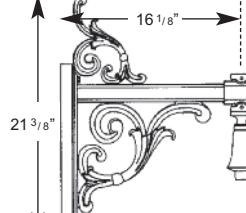
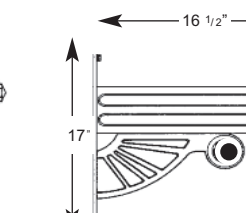
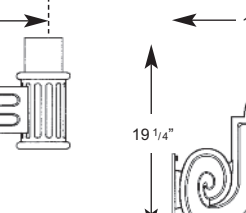
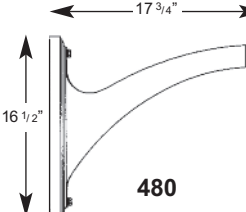
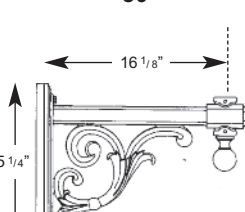
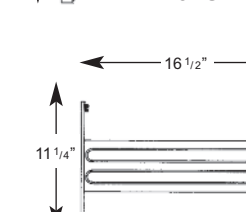
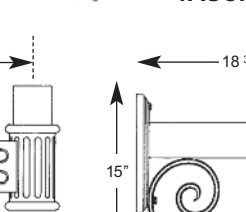
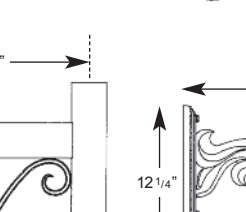
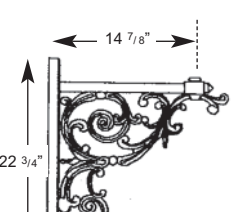
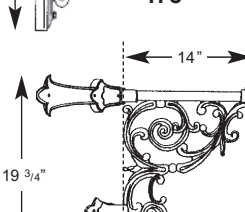
LENSES

 CSA Clear Seeded Acrylic	 CA Clear Acrylic	 CTA Clear Textured Acrylic	 PA	 WA White Acrylic
--	---	---	--	---

BALLASTED WALL MOUNTS (BB) PIER MOUNTS (PB)

 Wall Ballast Box for 55, 78, 80, 6236 Arms	 Wall Ballast Box for 478 and 480 Arms	 PB44 Incandescent	 PB28B For 150 to 250 Watt Ballasts	 PB27B For up to 100 Watt Ballasts
--	--	--	--	--

ARMS - POST MOUNT (PM) or WALL BRACKETS (WB) See Arms Section for more information

 80 (80D Downswep Arm)	 50	 478TS	 TASCR	 579
 480	 478	 TA	 6236	 55L
 121	 121CM Corner Mount			



BUILDING A PART NUMBER

POST & ARM FIXTURES

ARM MOUNTED FIXTURE	CENTER POST TOP FIXTURE (PT)	POST	POST CAP	LIGHT SOURCE BALLAST	OPTICS	OPTIONS	LENS	FINISH		
NO. OF ARMS	FIXTURE / POSTARM	FIXTURE	(See Post Section)	WATTS / TYPE / VOLTS						
2	961/478PM		PT	3412FP5	TFCC	100 HPS120	RE3	HPS100/MED	CSA	BK



WALL FIXTURES

FIXTURE / WALLBRACKET	LIGHT SOURCE BALLAST	OPTICS	LENS	OPTIONS	FINISH	PIER FIXTURES
	WATTS / TYPE / VOLTS					Uses same information boxes as wall fixture
961/80WB	100 HPS120	RE3	CA	HPS100/MED	BK	961/PB28
						FIXTURE / PIER BASE



PART NUMBER SELECTIONS

FIXTURES

- 961¹
- 961FB¹
- 961GT¹
- 961BB
- 961FBGT¹
- 964FB
- 964GT
- 964FBGT

OPTICS

- RE3
- RE5
- ALZAK
- HSS
- LO3
- LO5
- RO2^{6,7}
- RO3^{6,7}
- RO5^{6,7}
- FHC³
- 3L

WALL BRACKET ARMS

- 478WB
- 478TSWB
- 80WB
- 80DWB
- 50LFWB
- 50DLFWB
- 480WB
- 480DWB
- 55LWB
- 6236WB
- 579WB
- TAWB
- TASCROWB
- 121WB
- 121CMWB

WALL BRACKET ARMS WITH BALLAST BOX

- 478WBBB
- 478TSWBBB
- 80WBBB
- 80DWBBB
- 480WBBB
- 480DWBBB
- 55LWBBB
- 6236WBBB
- TAWBBB
- TASCROWBBB
- 121WBBB⁵

VOLTAGES

- 120
- 208
- 240
- 277
- 480
- MULTI (120-277)

POST ARMS

- 478PM
- 478TSPM
- 80LFPM
- 80PM
- 480PM
- 55LPM
- 121PM
- 6236PM
- 579PT
- TAPT
- TASCRIPT

PIER BASES

- PB44
- PB27B
- PB28B
- LENSES
- CSA
- CA
- CTA
- PA
- WA

BALLASTS^{1,8}

- 35HPS²
- 50HPS³
- 70HPS
- 100HPS
- 150HPS
- 200HPS
- 250HPS
- 50MHP
- 70MHP
- 100MHP
- 200MHP
- 150MHP
- 175MHP⁹
- 250MHP⁹
- 26PLT
- 32PLT
- 42PLT

LAMPS⁸

- HPS35/MED
- HPS50/MED
- HPS70/MED
- HPS100/MED
- HPS150/MED
- HPS250/MOG/ED18⁹
- MHP50/MED
- MHP70/MED
- MHP100/MED
- MHP150/MED
- MHP175/MOG/ED28⁹
- MH200/MOG/ED28
- MH250/MOG/ED28⁹
- PLT26
- PLT32
- PLT42

STANDARD FINISHES*

- BKT Black Textured
- WHT White Textured
- PGT Park Green Textured
- ABZT Architectural Medium Bronze Textured
- DBT Dark Bronze Textured

*Smooth Finishes are available upon request

CUSTOM FINISHES

- OI Old Iron
- RT Rust
- WBR Weathered Brown
- CD Cedar
- WBK Weathered Black
- TT Two Tone

STERNBERG SELECT FINISHES

- VG Verde Green
- SI Swedish Iron
- OWGT Old World Gray Textured

OPTIONS

- PEC1 Photocell-Bimetal 120 Volt
- PEC2 Photocell-Bimetal 208-277 Volt
- PEC1-E Photocell-Electronic 120 Volt
- PEC2-E Photocell-Electronic 208-277 Volt
- FHS Single Fuse and Holder-120,277 Volt
- FHD Dual Fuse and Holder-208,240,480 Volt
- QR Quartz Re-Strike
- PF Pineapple Finial or Font (TA, TASCRT)
- BF Ball Finial or Font (TA, TASCRT)
- LAMPS Select from List

NOTES:

- 1 Pole Mounted Fixtures - requires ballast to be mounted in pole base, except for 961BB
- 1 Wall Mounted Fixtures - requires wall bracket arms with ballast box, except for 961BB
- 1 Pier Mounted Fixtures - requires PB28 or PB27B if ballasted.
- 2 35HPS is 120 volt only.
- 3 Medium base socket only when used to house lamp.
- 4 Medium base sockets standard with ballasts up to 150 watts HID. Mogul base sockets are standard with ballasts 200 watts and over. 4-pin for PL.
- 5 Custom ballast box.
- 6 Medium base lamp only. Consult factory for mogul base.
- 7 All models except 961GT & 964GT can support PLH or PLT up to 60 watts
- 8 Metal halide systems are pulse start.
- 9 Consult factory for limitations.

961 FAIRFAX SERIES

SPECIFICATIONS

**LIST NO. 961
FAIRFAX
SERIES**

The Louver Optic System shall be made of highly specular anodized aluminum and shall come standard with medium base socket.

NIGHTSKY® STAR-SHIELD® Roof Optics distribution shall be delivered by multi-segmented roof mounted reflector systems which eliminate uplight and provide cut-off. The reflector cavity shall be made of specular anodized aluminum. Roof Optics Type 3 (RO3) or Type 5 (RO5) horizontal are available for medium base lamps. **Frosted Glass Hurricane Chimney (FHC)** is an optic option which adds an authentic touch and can be used with Roof Optics. **House Side Shield (HSS)** is an option which will block up to 120° of light in any one direction. **3-Light (3L)** candelabra set is an option for incandescent application.

PHOTOCELLS

Photocells shall be either the thermo bi-metal button type or the electronic button type. On single post top fixtures the photocell shall be mounted in the fitter and pre-wired to ballast. On multiple head fixture assemblies photocells shall be mounted in the pole shaft on an access plate and are not pre-wired as ballast housing assemblies and fitters are packaged separately for ease of wiring to source. The thermo bi-metal photocell shall be designed to turn on at 1.0 footcandle and turn off at not more than 5 footcandles. The electronic button type photocell is instant on and a 5-10 second turn off and shall turn on at 1.5 footcandles with a turn-off at 2-3 footcandles. Photocells are either 120 volt or 208 thru 277 volt.

ARMS

All arms are made of cast aluminum and/or extruded aluminum. Arms with decorative filigree have meticulously detailed scroll work and gracefully curved brackets. All 961 fixtures will have its fitter either welded to the arm or will be mechanically attached at the factory to ensure arms will be plumb, secure and level over the life of the installation. Each arm shall be bolted to a post mount adapter, which is welded to the pole to ensure proper alignment to the base. Twin TA, TASCAR and 579 arms will be attached to a decorative center hub which will slip-fit the center tenon of the pole (not shown). Arms are pre-wired for ease of installation.

FINISH

Prior to coating, each assembly shall be chemically cleaned and etched in a 5-stage washing system which includes alkaline cleaning, rinsing, phosphoric etching, reverse osmosis water rinsing, and non-chrome sealing to ensure corrosion resistance and excellent adhesion for the finish coating. The finish coating shall be electrostatically applied semi-gloss, super durable polyester powder baked at 400 degrees for a durable and superior, color retentive finish. Our optional antique Verde Green finish and Swedish Iron finish are hand brushed using a 3-step process. The total assembly shall be wrapped in shockproof wrapping or fully enclosed in corrugated cartons.

WARRANTY

Five-year limited warranty. See product and finish warranty guide for details.

