

**80GL BRISTOL GASLIGHT SERIES**

**SPECIFICATIONS**

**GENERAL**

The 80GL Bristol Natural Gas Light fixture is an elegantly styled fixture series featuring a tapered six sided cage and roof. It shall be appointed with a cast aluminum decorative crown cap with spike finial.

**FITTER**

The fitter or base shall be heavy wall cast aluminum, 319 alloy for high tensile strength. It shall fit a 3" diameter pole or tenon. When ordered with a Sternberg aluminum pole, the fitter shall be set screwed to the pole top or tenon.

**FIXTURE HOUSING**

The fixture shall be 21" wide and the overall height shall be 43 1/8". It shall be made of heavy wall cast aluminum, 319 alloy and lenses will be made of clear glass. The roof and cage corners will be adorned with leaf designs. The roof corners will be appointed with 6 curved spike ends. The decorative post fitter shall have open scrolls which transition to the fixture housing. Top and bottom venting shall be screened to help prevent insect penetration.

**BURNER ASSEMBLY**

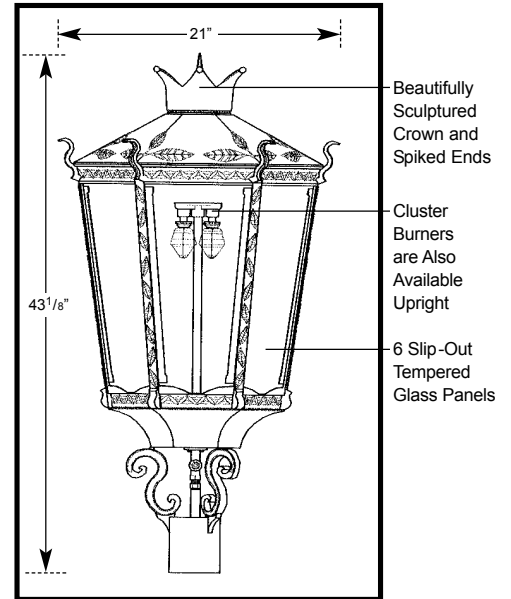
The Inverted Burner assembly shall consist of a triple burner with venturi tube, air shutter, ceramic tips, gas mantles and a natural gas valve. Open flame units are available. Please consult factory.

**FINISH**

Prior to coating, each assembly shall be chemically cleaned and etched in a 5-stage washing system which includes alkaline cleaning, rinsing, phosphoric etching, reverse osmosis water rinsing, and non-chrome sealing to ensure corrosion resistance and excellent adhesion for the finish coating. The finish coating shall be electrostatically applied semi-gloss, super durable polyester powder baked at 400 degrees for a durable and superior, color retentive finish. Our optional antique Verde Green finish and Swedish Iron finish are hand brushed using a 3-step process. The total assembly shall be wrapped in shockproof wrapping or fully enclosed in corrugated cartons.

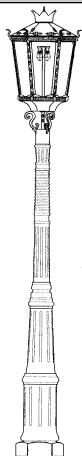
**WARRANTY**

Five-year limited warranty. See product and finish warranty guide for details.

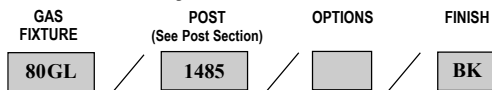


**BUILDING A PART NUMBER**

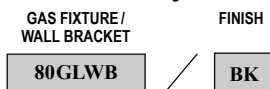
**PART NUMBER SELECTIONS**



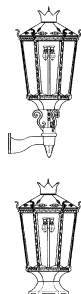
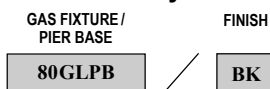
**Post Assembly**



**Wall Assembly**



**Pier Assembly**



80GL FIXTURE CAN ALSO BE MOUNTED ON MANY OTHER STERNBERG POLES

**FIXTURE**

- 80GL

**WALL BRACKET ARM**

- WB

**PIER BASE**

- PB

**FINISHES STANDARD**

- BKT Black Textured
- BK Black
- VG Verde Green
- PGT Park Green Textured
- PG Park Green
- ABZT Architectural Medium Bronze Textured
- ABZ Architectural Medium Bronze
- SI Swedish Iron
- DBT Dark Bronze Textured
- DB Dark Bronze
- OWGT Old World Gray Textured
- OWG Old World Gray

**FINISHES CUSTOM**

- WHT White Textured
- WH White
- CV Copper Vein
- WBKK Weathered Black
- WBR Weathered Brown
- CD Cedar
- RT Rust
- OI Old Iron
- TT Two Tone
- CM Custom Match