

7543TF NANTUCKET SERIES

SPECIFICATIONS

GENERAL

The 7543TF Nantucket series is an impressive traditional four-sided fixture. It consists of a decorative cast four-sided curved roof with a one-piece cast cage and acrylic lenses. The roof shall be appointed with a decorative cast 4" diameter tall finial.

POST FITTER

The fitter or base shall be heavy wall cast aluminum, 356 alloy for high tensile strength. It shall have an inside diameter opening to fit a 3" diameter pole or tenon. When ordered with a Sternberg aluminum pole, the fitter shall be set screwed to the pole top or tenon.

BALLAST

The ballast shall be remote mounted in the base of the pole, pole shaft or ballast box.

ELECTRICAL

Fixture shall be U.L. or E.T.L. listed in U.S. and Canada. H.I.D. ballasts shall be high power factor with lamp starting down to -30 degrees C. Medium base and mogul base porcelain sockets are 4KV rated. All compact fluorescent (PL) ballasts shall be instant start electronic with a starting temperature of down to 0 degrees F. They shall have a 4-pin socket to accept quad or triple tube lamps. Ballasts shall be DOE EISA compliant.

FIXTURE HOUSING

The 7543TF fixture shall be 12" wide and the overall height shall be 25^{5/8}". It shall be made of heavy wall cast aluminum, 356 alloy and lenses shall be made of vandal resistant acrylic, available in clear (CA), clear seeded (CSA), clear textured (CTA), prismatic (PA), and white (WA) acrylic. The fixture cage shall be cast in one piece. The Model 7543TF shall have a four-sided roof, cage and bottom plate with four large lenses.

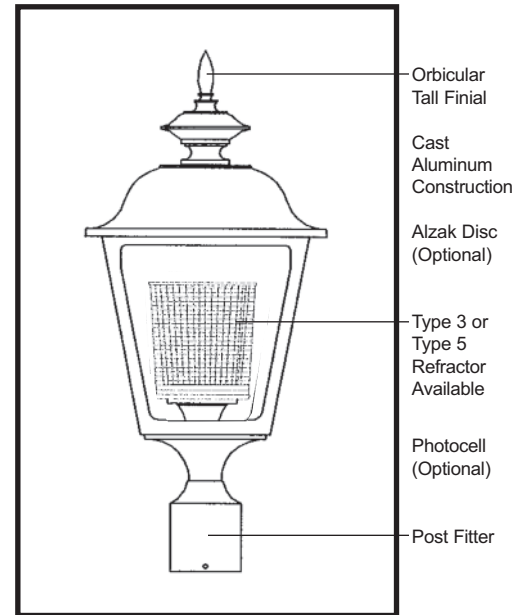
OPTICAL OPTIONS

Refractors shall be 5" diameter borosilicate glass with an I.E.S. Type 3 (RE3) or Type 5 (RE5) distribution. It shall be secured to the socket stem with 3/8" plated steel threaded pipe nipple and rest on a cast aluminum holder with anti-shock gasket. The refractor will be secured to cast holder with a quarter-turn internal aluminum twist ring for ease of maintenance. The optional **Alzak Disc** is an optical shield to help direct light downward. It shall be 7" diameter and made of specular reflective aluminum and mounted directly above lamp.

Frosted Glass Hurricane Chimney (FHC) is an optic option which adds an authentic touch.

House Side Shield (HSS) is an option which will block up to 120° of light in any one direction.

3-Light (3L) candelabra set is an option for incandescent application.



EPA = 2.75 (ft²)
WEIGHT = 11 LBS





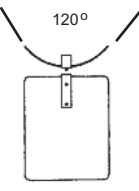


PHOTOCELLS

Photocells shall be either the thermo bi-metal button type or the electronic button type. On single


7543TF NANTUCKET

FIXTURES/ARMS PM-WB


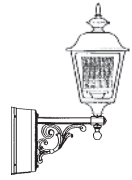







FIXTURES / OPTICAL SYSTEMS

12" W  25 5/8" 7543TF Post Top	12" W  18 1/2" 7543AH Hanging	12" W  21 1/8" 7543TFH Hanging	 RE3 RE5 Refractor	 120° HSS House Side Shield	 FHC Frosted Hurricane Chimney	 3L 3 Light
--	---	--	--	---	---	---

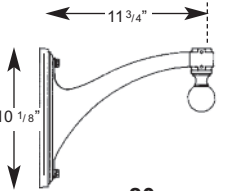
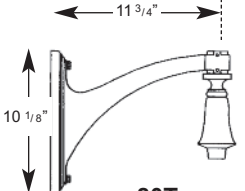
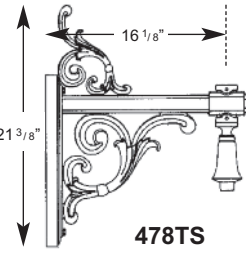
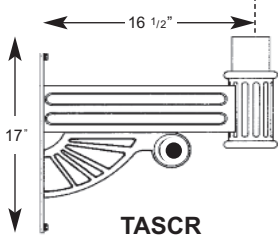
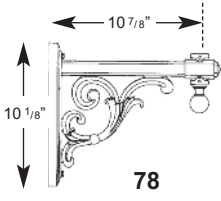
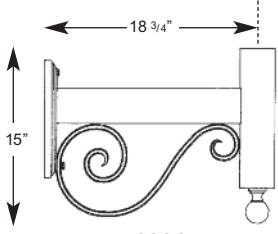
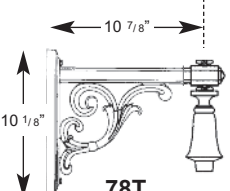
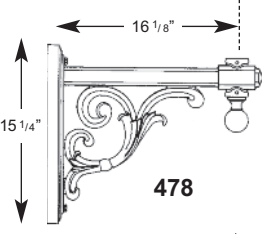
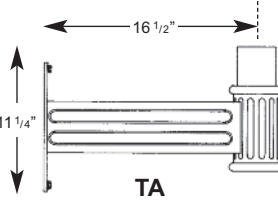
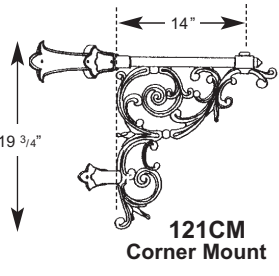
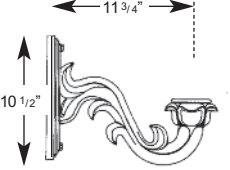
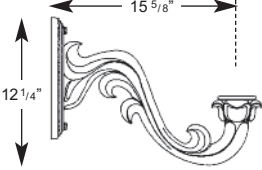
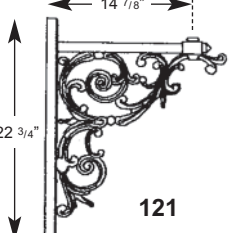
LENSES

	CSA Clear Seeded Acrylic		CA Clear Acrylic		CTA Clear Textured Acrylic		PA Prismatic Acrylic		WA White Acrylic	Stem Hung Chain Hung Specify Overall Drop in Inches
--	--	---	-------------------------------	---	--	---	-----------------------------------	---	-------------------------------	--

BALLASTED WALL MOUNTS (BB) PIER MOUNTS (PB) HANGING BRACKETS

 Wall Ballast Box for 55, 78, 80, 6236 Arms	 Wall Ballast Box for 478 and 480 Arms	 PB44 Incan- descent	 PB28 For 150 Watt Ballasts	 PB27B For up to 100 Watt Ballasts	 SH-CH28 For 150 Watt Ballasts	 SH-CH27B For up to 100 Watt Ballasts	 SH44	 CH44
--	--	---	---	---	--	---	--	--

ARMS - POST MOUNT (PM) or WALL BRACKETS (WB) See Arms Section for more information

 80 (80D Downswept Arm)	 80T (80DT Downswept Arm)	 478TS	 TASCR	 78
 6236	 78T	 478	 TA	 121CM Corner Mount
 55	 55L	 121		

BUILDING A PART NUMBER

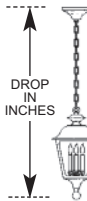
POST & ARM FIXTURES

ARM MOUNTED FIXTURE	CENTER POST TOP FIXTURE (PT)	POST	POST CAP	LIGHT SOURCE BALLAST	OPTICS	OPTIONS	LENS	FINISH
NO OF ARMS	FIXTURE / POSTARM	FIXTURE	(See Post Section)	WATTS / TYPE / VOLTS				
2	7543TF/78PM	PT	3912FP4	TFCC	100HPS120	RE3	HPS100/MED	CA / BK

WALL FIXTURES

FIXTURE / WALLBRACKET	LIGHT SOURCE BALLAST	OPTICS	OPTIONS	LENS	FINISH	PIER FIXTURES
WATTS / TYPE / VOLTS						Uses same information boxes as wall fixture
7543TF/80DWBBB	100 HPS120	RE3	HPS100/MED	CA	BK	7543TF/PB44
						FIXTURE / PIER BASE

HANGING FIXTURES



FIXTURE / HANGING BRACKET	OVERALL DROP IN INCHES	LIGHT SOURCE BALLAST	OPTICS	OPTIONS	LENS	FINISH
WATTS / TYPE / VOLTS		WATTS / TYPE / VOLTS				
7543TF/CH44	48 INCHES	INCAND	3L		CA	BK

PART NUMBER SELECTIONS

FIXTURES

- 7543TF
- 7543AH
- 7543TFH

LENSES

- CSA
- CA
- CTA
- PA
- WA

OPTICS

- RE3
- RE5
- ALZAK
- HSS
- FHC³
- 3L

OPTIONS

- PEC1 Photocell-Bimetal 120 Volt
- PEC2 Photocell-Bimetal 208-277 Volt
- PEC1-E Photocell-Electronic 120 Volt
- PEC2-E Photocell-Electronic 208-277 Volt
- FHS Single Fuse & Holder-120,277 Volt
- FHD Dual Fuse & Holder-208,240,480 Volt
- QR Quartz Re-Strike
- PF Pineapple Finial or Font (TA, TASC)
- BF Ball Finial or Font (TA, TASC)
- LAMPS Select from List

POST ARMS

- 78PM
- 78TPM
- 478PM
- 478TSPM
- 80PM
- 80DPM
- 80TPM
- 80DTPM
- 480PM
- 55PM
- 55LPM
- 121PM
- 6236PM
- TAPT
- TASC

WALL BRACKET ARMS

- 78WB
- 78TWB
- 478WB
- 478TSWB
- 80WB
- 80DWB
- 80TWB
- 80TIWB
- 480WB
- 55WB
- 55LWB
- 6236WB
- TAWB
- TASC
- 121WB
- 121CMWB

WALL BRACKET ARMS WITH BALLAST BOX

- 78WBBB
- 78TWBBB
- 478WBBB
- 478TSWBBB
- 80WBBB
- 80DWBBB
- 80TWBBB
- 80DTWBBB
- 480WBBB
- 480DWBBB
- 55WBBB
- 55LWBBB
- 6236WBBB
- TASC
- 121WBBB⁵

PIER BASES

- PB44
- PB28
- PB27B

BALLASTS^{1,4,6}

- 35HPS²
- 50HPS
- 70HPS
- 100HPS
- 150HPS
- 50MHP
- 70MHP
- 100MHP
- 150MHP
- INCAND

HANGING BRACKETS

- CH44
- SH44
- CH27B
- SH27B
- CH28
- SH28

LAMPS⁶

- HPS35/MED
- HPS50/MED
- HPS70/MED
- HPS100/MED
- HPS150/MED
- MHP50/MED
- MHP70/MED
- MHP100/MED
- MHP150/MED

VOLTAGES

- 120
- 208
- 240
- 277
- 480
- MULTI (120-277)

FINISHES STANDARD

- BKT Black Textured
- BK Black
- VG Verde Green
- PGT Park Green Textured
- PG Park Green
- ABZT Architectural Medium Bronze Textured
- ABZ Architectural Medium Bronze
- SI Swedish Iron
- DBT Dark Bronze Textured
- DB Dark Bronze
- OWGT Old World Gray Textured
- OWG Old World Gray

FINISHES CUSTOM

- WH White Textured
- WH White
- CV Copper Vein
- WBK Weathered Black
- WBR Weathered Brown
- CD Cedar
- RT Rust
- OI Old Iron
- TT Two Tone
- CM Custom Match

NOTES:

- 1 Pole mounted fixtures - requires ballast to be mounted in pole base.
- 1 Wall mounted fixtures - requires wall bracket arms with ballast box.
- 1 Pier mounted fixtures - require PB28 or PB27B if ballasted.
- 1 Hanging fixtures - require CH/SH28 or CH/SH27B if ballasted.
- 2 35HPS is 120 volt only.
- 3 Medium base socket only when used to house lamp.
- 4 Medium base sockets standard.
- 5 Custom ballast box.
- 6 Metal halide systems are pulse start.

7543TF NANTUCKET SERIES

SPECIFICATIONS

**LIST NO.
7543TF
NANTUCKET
SERIES**

post top fixtures the photocell shall be mounted in the fitter and pre-wired to ballast. On multiple head fixture assemblies photocells shall be mounted in the pole shaft on an access plate and are not pre-wired as ballast housing assemblies and fitters are packaged separately for ease of wiring to source. The thermo bi-metal photocell shall be designed to turn on at 1.0 footcandle and turn off at not more than 5 footcandles. The electronic button type photocell is instant on and a 5-10 second turn off and shall turn on at 1.5 footcandles with a turn-off at 2-3 footcandles. Photocells are either 120 volt or 208 thru 277 volt.

ARMS

All arms are made of cast aluminum and/or extruded aluminum. Arms with decorative filigree have meticulously detailed scroll work and gracefully curved brackets. All 7543TF fixtures will have its fitter mechanically attached to the arms. Each arm shall be bolted to a post mount adapter, which is welded to the pole to ensure proper alignment to the base. Twin TA, TASCRC and 579 arms will be attached to a decorative center hub which will slip-fit the center tenon of the pole (not shown). BA and 779 arms are available as a twin application. Arms are pre-wired for ease of installation.

FINISH

Prior to coating, each assembly shall be chemically cleaned and etched in a 5-stage washing system which includes alkaline cleaning, rinsing, phosphoric etching, reverse osmosis water rinsing, and non-chrome sealing to ensure corrosion resistance and excellent adhesion for the finish coating. The finish coating shall be electrostatically applied semi-gloss, super durable polyester powder baked at 400 degrees for a durable and superior, color retentive finish. Our optional antique Verde Green finish and Swedish Iron finish are hand brushed using a 3-step process. The total assembly shall be wrapped in shockproof wrapping or fully enclosed in corrugated cartons.

WARRANTY

Five-year limited warranty. See product and finish warranty guide for details.

