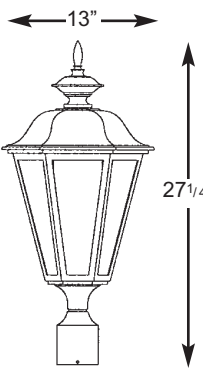

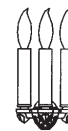


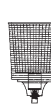

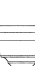

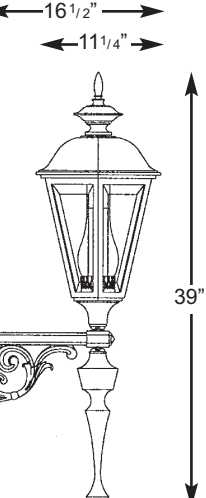
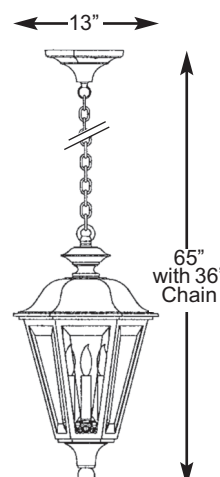
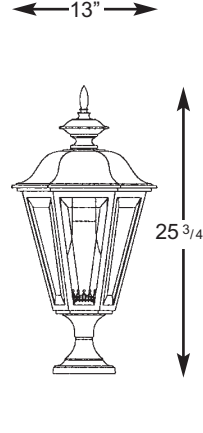
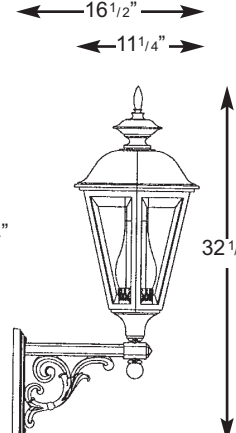
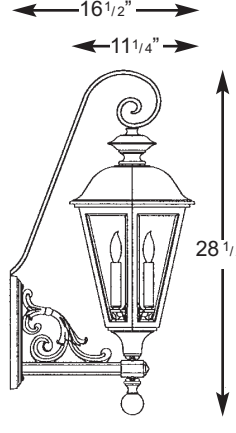
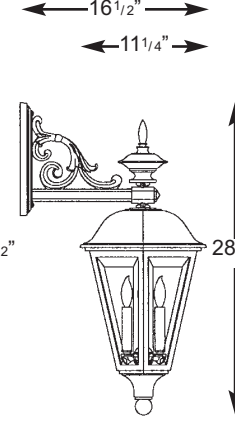


6900 HERITAGE RESIDENTIAL SERIES

SPECIFICATIONS

FIXTURES	SOCKET TYPE			OPTICAL SYSTEMS		BB BALLAST BOX
 <p>6930</p>	 <p>MED Single Medium Base Socket</p>	 <p>3L Three Light Cluster Candelabra Socket Assembly</p>	 <p>PL Compact Fluorescent</p>	 <p>FHC Frosted Hurricane Chimney</p>	 <p>RE3G-SM RE5G-SM Refractor Type 3 and Type 5</p>	<p>78BB - Large Scale for up to 150 watt ballasts </p> <p>28BB - Hanging or Pier for up to 150 watt ballasts </p> <p>27BB - Hanging or Pier for up to 100 watt ballasts </p>

FIXTURES						
 <p>6915</p>	 <p>6927</p>	 <p>6935</p>	 <p>6912</p>	 <p>6913</p>	 <p>6918</p>	

NOTE: 6900 Series requires ballast box
Add 2' to 4" on extensions for ballast box.
3 Lite cluster is 25 watt max lamp per socket.
*Remote ballast box required if HID or CF.

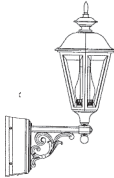
BUILDING A PART NUMBER



POST & ARM FIXTURES

ARM MOUNTED FIXTURE NO. OF ARMS	CENTER POST TOP FIXTURE (PT) FIXTURE	POST	POST CAP	LIGHT SOURCE BALLAST WATTS / TYPE / VOLTS	OPTICS	OPTIONS	LENS	FINISH
2	6930/78PM	6930PT	3412FP5	FCC	100HPS120	RE3G-SM	HPS100/MED	CA / BKT

WALL FIXTURES



FIXTURE / WALL BRACKET	LIGHT SOURCE BALLAST WATTS / TYPE / VOLTS	OPTICS	OPTIONS	LENS	FINISH
6912/78BB	100HPS120	FHC	HPS100/MED	CTA	BKT

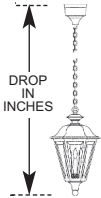


PIER FIXTURES
Uses same information boxes as wall fixture

6935/FC

FIXTURE / PIER BASE

HANGING FIXTURES



FIXTURE / HANGING BRACKET	OVERALL DROP IN INCHES	LIGHT SOURCE BALLAST WATTS / TYPE / VOLTS	OPTICS	OPTIONS	LENS	FINISH
6927BB/CH28	36 INCHES	100 HPS120	RE3G-SM	HPS100/MED	CA	BKT

PART NUMBER SELECTIONS

FIXTURES¹

- 6912
- 6913
- 6915
- 6918
- 6927
- 6930
- 6935

OPTICS

- RE3G-SM
- RE5G-SM
- FHC
- MED
- 3L
- PL

LENSES

- BG
- CSA
- CTA
- CA
- WA

OPTIONS

- LAMPS
Select from List
- BES - Brass Eagle Small
- BP - Brass Package

LAMPS⁵

- HPS35/MED
- HPS50/MED
- HPS70/MED
- HPS100/MED
- HPS150/MED
- MHP50/MED
- MHP70/MED
- MHP100/MED
- MHP150/MED
- PLT26
- PLT32
- PLT42
- PLT57

BALLASTS^{1,4}

- 35HPS²
- 50HPS
- 70HPS
- 100HPS
- 150HPS
- 50MHP
- 70MHP
- 100MHP
- 150MHP
- 26PLT
- 32PLT
- 42PLT
- 57PLT
- INCAND
(150 watt max.)

BB - BALLAST BOX

- 78BB - Large Scale for up to 150 watt ballasts
- 28BB - Hanging or Pier for up to 150 watt ballasts
- 27BB - Hanging or Pier for up to 100 watt ballasts

STANDARD FINISHES*

- BKT Black Textured
- WHT White Textured
- PGT Park Green Textured
- ABZT Architectural Medium Bronze Textured
- DBT Dark Bronze Textured

*Smooth Finishes are available upon request

CUSTOM FINISHES

- OI Old Iron
- RT Rust
- WBR Weathered Brown
- CD Cedar
- WBK Weathered Black
- TT Two Tone

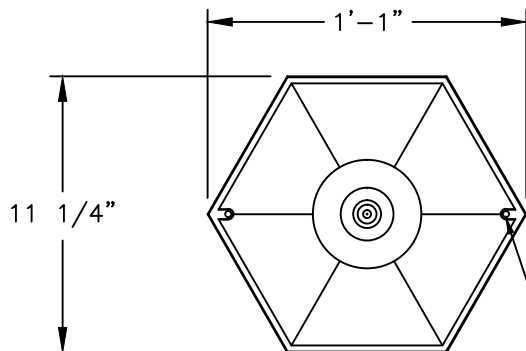
STERNBERG SELECT FINISHES

- VG Verde Green
- SI Swedish Iron
- OWGT Old World Gray Textured

NOTES:

- 1 Pole mounted fixtures - requires ballast to be mounted in pole base.
- 1 Wall mounted fixtures - requires wall bracket arms with ballast box.
- 1 Pier mounted fixtures - require PB28BB or PB27BB if ballasted.
- 1 Hanging fixtures - require CH/SH28BB or CH/SH27BB if ballasted.
- 2 35HPS is 120 volt only.
- 3 Medium base socket only when used to house lamp.
- 4 Medium base sockets standard with HID ballasts. 4-pin for PL
- 5 Metal halide systems are pulse start.

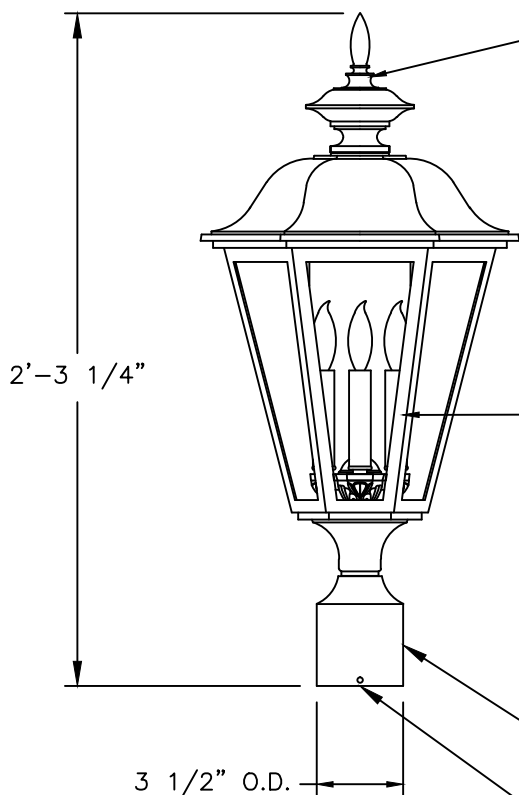
6930 HERITAGE RESIDENTIAL SERIES



ALL ELECTRICAL COMPONENTS ARE U.L. OR E.T.L. LISTED IN USA AND CANADA.

FIXTURE WILL BE PREWIRED AND TESTED.

ROOF SECURED WITH (2) 10-24 X 1/2" KNURLED THUMB SCREWS



CAST ALUMINUM TALL FINIAL ALSO AVAILABLE WITH CUPOLA

(6) SIDED LENS AVAILABLE IN CLEAR SEEDED, CLEAR TEXTURED, CLEAR ACRYLIC, WHITE ACRYLIC OR BEVELED GLASS

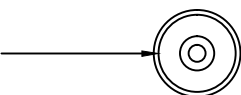
3-LIGHT CLUSTER OR DECORATIVE FROSTED CHIMNEY WITH MEDIUM BASE SOCKET OR DECORATIVE FROSTED CHIMNEY WITH FLUORESCENT SOCKET OR GLASS REFRACTOR

POST TOP STYLE

AVAILABLE IN WALL BRACKET, PIER BASE OR HANGING.

SECURED WITH SET SCREWS

SLIPS 3" OD X 3" TALL TENON

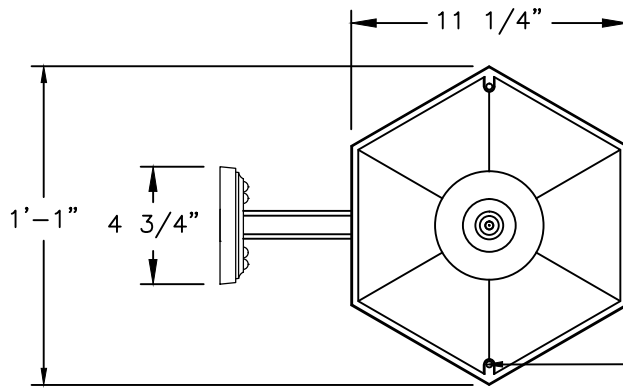


6930

3/16"=1'

DRAWN LMG
 DRAWN DATE SEPT 28 2011
 DRAWING NUMBER

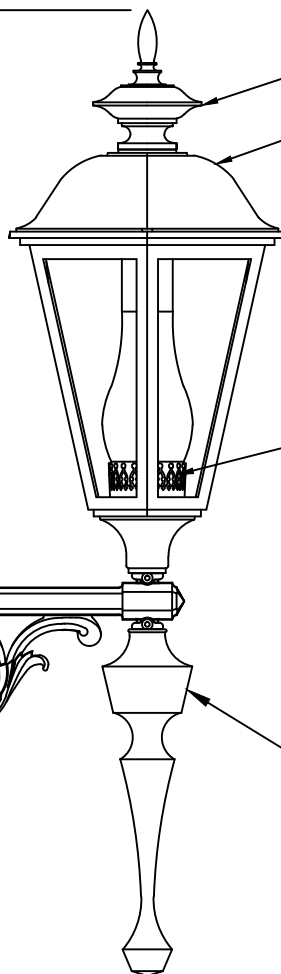
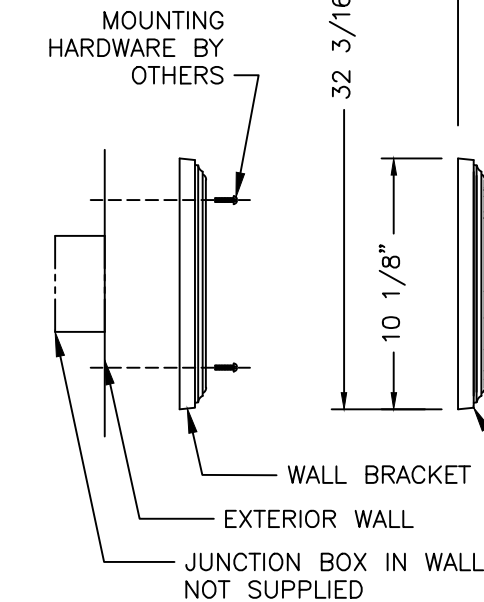
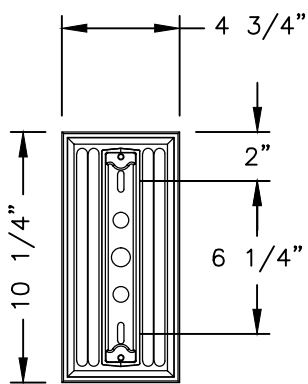
6915 HERITAGE RESIDENTIAL SERIES



ALL ELECTRICAL COMPONENTS ARE U.L. OR E.T.L. LISTED IN USA AND CANADA.

FIXTURE WILL BE PREWIRED AND TESTED.

ROOF SECURED WITH (2) 10-24 X 1/2" KNURLED THUMB SCREWS



CAST ALUMINUM FINIAL

CAST ALUMINUM ROOF

(6) SIDED LENS AVAILABLE IN CLEAR SEEDED ACRYLIC, CLEAR TEXTURED ACRYLIC, CLEAR ACRYLIC, WHITE ACRYLIC OR BEVELED GLASS

DECORATIVE FROSTED CHIMNEY WITH MEDIUM BASE SOCKET OR DECORATIVE FROSTED CHIMNEY WITH FLUORESCENT SOCKET OR 3-LIGHT CLUSTER OR GLASS REFRACTOR

CAST LONG FONT ALSO AVAILABLE WITH SHORTER FONT OR CAST BALL

(2) 1/4-20 X 1 1/8" RHMS



6915

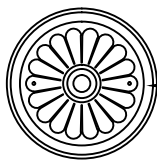
3/16"=1'

DRAWN LMG
 DRAWN DATE SEPT 28 2011
 DRAWING NUMBER

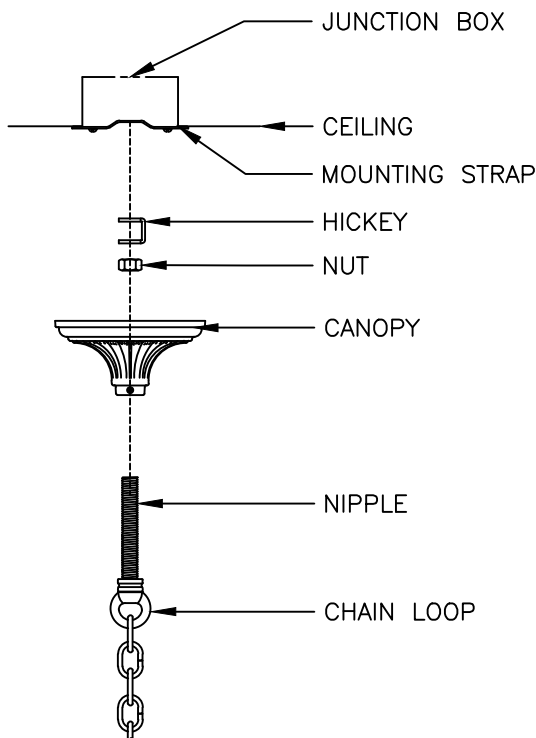
6927 HERITAGE RESIDENTIAL SERIES

ALL ELECTRICAL COMPONENTS ARE U.L. OR E.T.L. LISTED IN USA AND CANADA.

FIXTURE WILL BE PREWIRED AND TESTED.



CANOPY SECURED WITH (2) 8-32 CAPNUTS



6" ROUND CANOPY



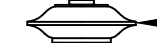
CHAIN LOOP



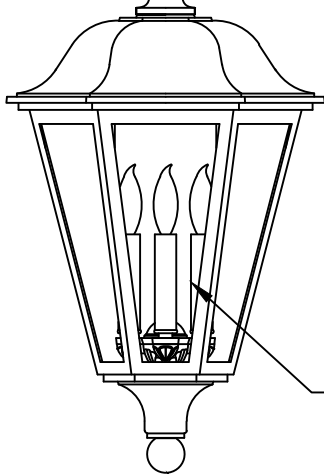
CHAIN (LENGTH TO BE SPECIFIED)



CHAIN LOOP



CAST ALUMINUM FINIAL ALSO AVAILABLE WITH CUPOLA



(6) SIDED LENS AVAILABLE IN CLEAR SEEDED, CLEAR TEXTURED, CLEAR ACRYLIC, WHITE ACRYLIC OR BEVELED GLASS

3-LIGHT CLUSTER OR DECORATIVE FROSTED CHIMNEY WITH MEDIUM BASE SOCKET OR DECORATIVE FROSTED CHIMNEY WITH FLUORESCENT SOCKET OR GLASS REFRACTOR

CAST ALUMINUM BALL

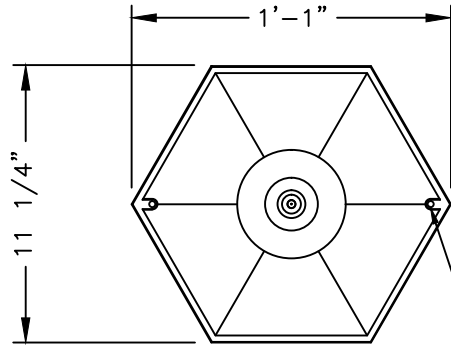


6927

3/16"=1'

DRAWN LMG
 DRAWN DATE
 SEPT 28 2011
 DRAWING NUMBER

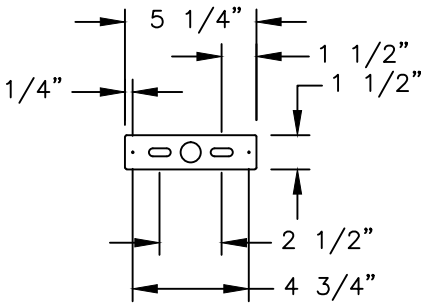
6935 HERITAGE RESIDENTIAL SERIES



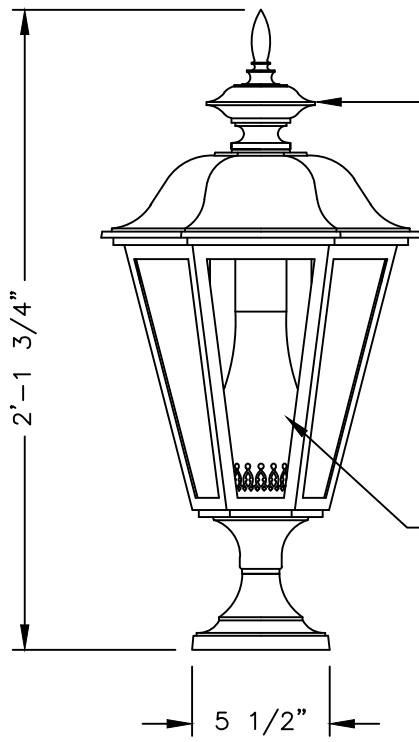
ALL ELECTRICAL COMPONENTS ARE U.L. OR E.T.L. LISTED IN USA AND CANADA.

FIXTURE WILL BE PREWIRED AND TESTED.

ROOF SECURED WITH (2) 10-24 X 1/2" KNURLED THUMB SCREWS



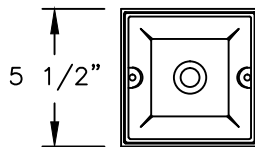
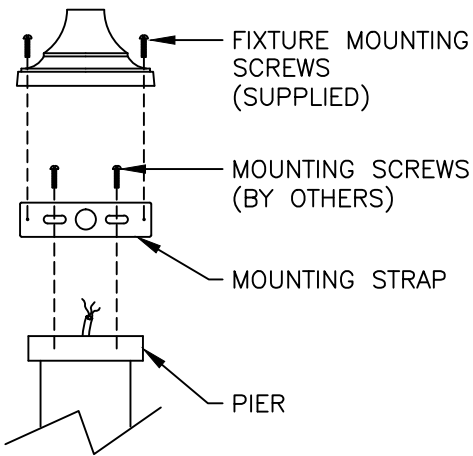
MOUNTING STRAP



CAST ALUMINUM FINIAL ALSO AVAILABLE WITH CUPOLA

(6) SIDED LENS AVAILABLE IN CLEAR SEEDED, CLEAR TEXTURED, CLEAR ACRYLIC, WHITE ACRYLIC OR BEVELED GLASS

DECORATIVE FROSTED CHIMNEY WITH MEDIUM BASE SOCKET OR DECORATIVE FROSTED CHIMNEY WITH FLUORESCENT SOCKET OR 3-LIGHT CLUSTER OR GLASS REFRACTOR



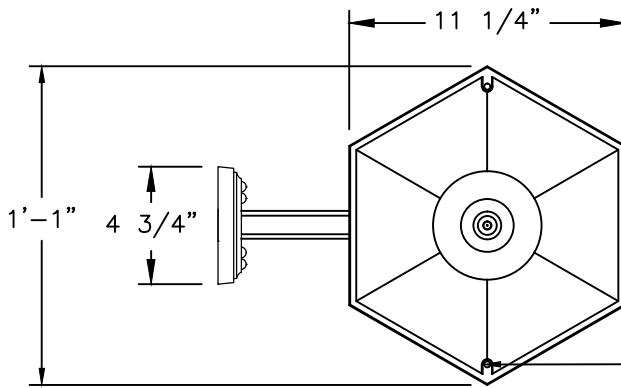
PIER BASE SECURED WITH (2) 1/4-20 X 3/4" RHMS



6935

3/16"=1'	DRAWN	LMG
	DRAWN DATE	SEPT 28 2011
		DRAWING NUMBER

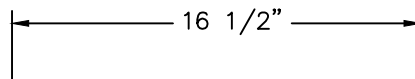
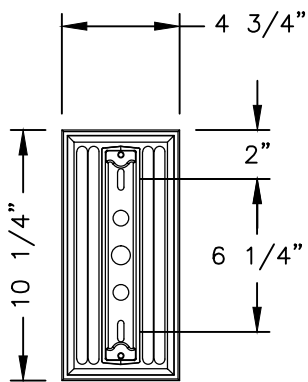
6912 HERITAGE RESIDENTIAL SERIES



ALL ELECTRICAL COMPONENTS ARE U.L. OR E.T.L. LISTED IN USA AND CANADA.

FIXTURE WILL BE PREWIRED AND TESTED.

ROOF SECURED WITH (2) 10-24 X 1/2" KNURLED THUMB SCREWS



CAST ALUMINUM FINIAL
CAST ALUMINUM ROOF

(6) SIDED LENS AVAILABLE IN CLEAR SEEDED ACRYLIC, CLEAR TEXTURED ACRYLIC, CLEAR ACRYLIC, WHITE ACRYLIC OR BEVELED GLASS

DECORATIVE FROSTED CHIMNEY WITH MEDIUM BASE SOCKET OR DECORATIVE FROSTED CHIMNEY WITH FLUORESCENT SOCKET OR 3-LIGHT CLUSTER OR GLASS REFRACTOR

CAST BALL

(2) 1/4-20 X 1 1/8" RHMS

MOUNTING HARDWARE BY OTHERS

32 3/16"

10 1/8"

WALL BRACKET

EXTERIOR WALL

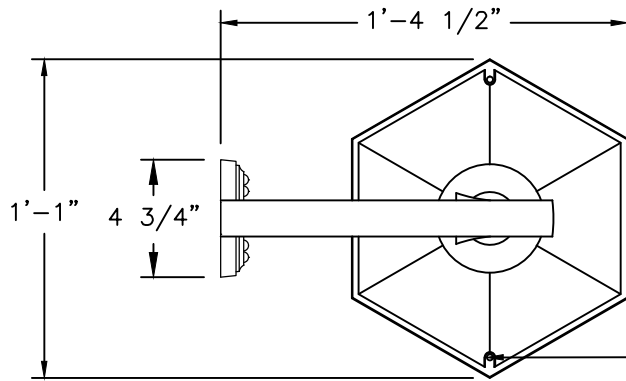
JUNCTION BOX IN WALL NOT SUPPLIED



6912

3/16"=1'	DRAWN	LMG
	DRAWN DATE	SEPT 28 2011
		DRAWING NUMBER

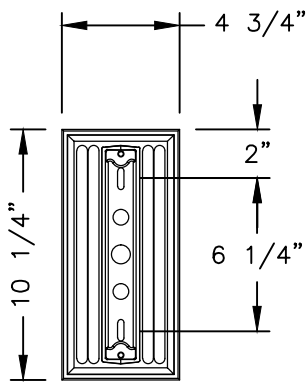
6913 HERITAGE RESIDENTIAL SERIES



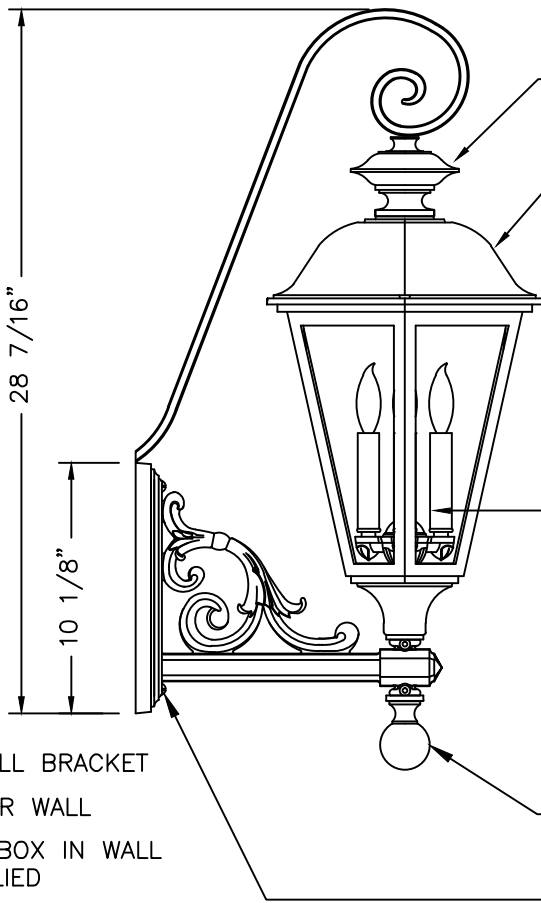
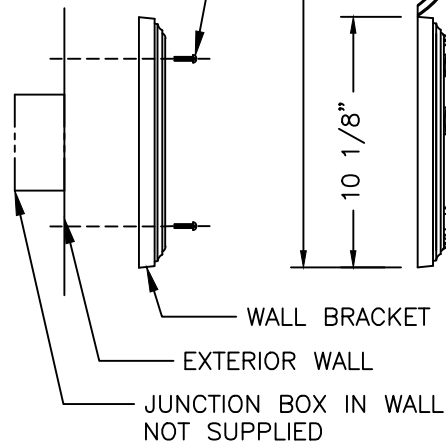
ALL ELECTRICAL COMPONENTS ARE U.L. OR E.T.L. LISTED IN USA AND CANADA.

FIXTURE WILL BE PREWIRED AND TESTED.

ROOF SECURED WITH (2) 10-24 X 1/2" KNURLED THUMB SCREWS



MOUNTING HARDWARE BY OTHERS



CAST ALUMINUM FINIAL AND SCROLL

CAST ALUMINUM ROOF

(6) SIDED LENS AVAILABLE IN CLEAR SEEDED, CLEAR TEXTURED, CLEAR ACRYLIC, WHITE ACRYLIC OR BEVELED GLASS

3-LIGHT CLUSTER OR DECORATIVE FROSTED CHIMNEY WITH MEDIUM BASE SOCKET OR DECORATIVE FROSTED CHIMNEY WITH FLUORESCENT SOCKET OR GLASS REFRACTOR

CAST BALL

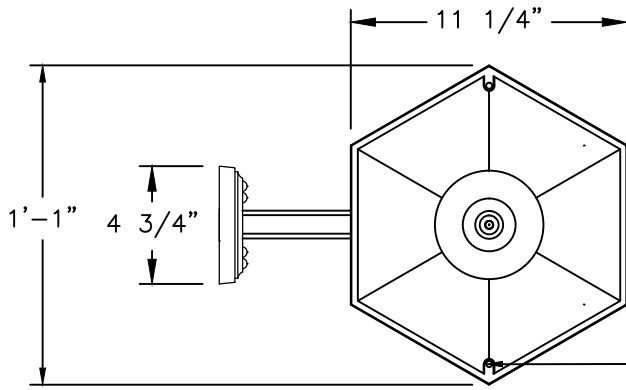
(2) 1/4-20 X 1 1/8" RHMS

STERNBERG
SINCE 1923

6913

3/16"=1'	DRAWN	LMG
	DRAWN DATE	SEPT 28 2011
		DRAWING NUMBER

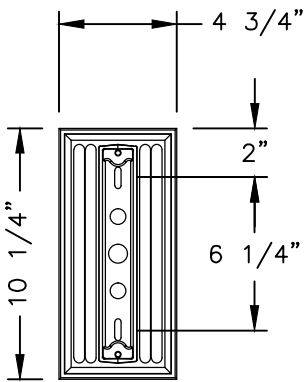
6918 HERITAGE RESIDENTIAL SERIES



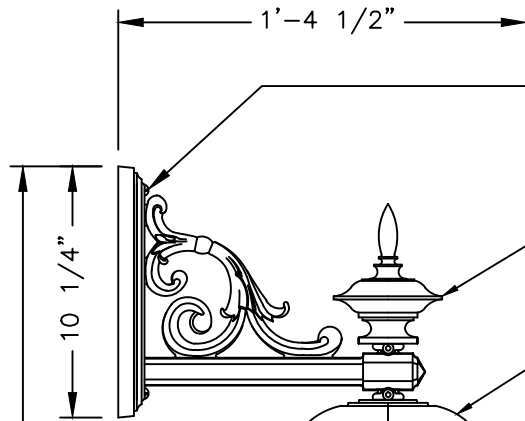
ALL ELECTRICAL COMPONENTS ARE U.L. OR E.T.L. LISTED IN USA AND CANADA.

FIXTURE WILL BE PREWIRED AND TESTED.

ROOF SECURED WITH (2) 10-24 X 1/2" KNURLED THUMB SCREWS



(2) 1/4-20 X 1 1/8" RHMS



CAST ALUMINUM FINIAL

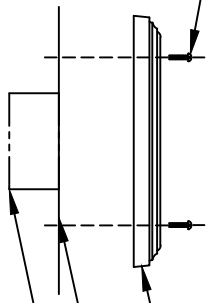
CAST ALUMINUM ROOF

(6) SIDED LENS AVAILABLE IN CLEAR SEEDED ACRYLIC, CLEAR TEXTURED ACRYLIC, CLEAR ACRYLIC, WHITE ACRYLIC OR BEVELED GLASS

3-LIGHT CLUSTER OR DECORATIVE FROSTED CHIMNEY WITH MEDIUM BASE SOCKET OR DECORATIVE FROSTED CHIMNEY WITH FLUORESCENT SOCKET OR GLASS REFRACTOR

CAST BALL

MOUNTING HARDWARE BY OTHERS



WALL BRACKET

EXTERIOR WALL

JUNCTION BOX IN WALL NOT SUPPLIED



6918

3/16"=1'	DRAWN	LMG
	DRAWN DATE	SEPT 28 2011
		DRAWING NUMBER