

6830 / 6830SB OAK STREET SERIES

SPECIFICATIONS

GENERAL

The 6830/6830SB series is a large scale, elegantly styled fixture series featuring a straight, six-sided cage and roof. It shall be appointed with a cast aluminum decorative finial.

POST FITTER

The fitter or base shall be heavy wall cast aluminum, 356 alloy for high tensile strength. It shall have an inside diameter opening for a 4" or 5" diameter pole or tenon. When ordered with a Sternberg aluminum pole, the fitter shall be set screwed to the pole top or tenon.

BALLAST HOUSING

The ballast housing shall be heavy wall cast aluminum, 356 alloy for high tensile strength and to ensure high capacity heat sinking of ballast temperatures. Keeping the ballast cooler and ensuring long life. The ballast mounting plate shall be cast aluminum and provide tool-less removal from the housing using 2 ea finger latches.

ELECTRICAL

The 6830 fixture shall be U.L. or E.T.L. listed in U.S. and Canada. H.I.D. ballasts shall be high power factor with lamp starting down to -30 degrees C. Medium base and mogul base porcelain sockets are 4KV rated. The ballast/socket assembly shall be pre-wired when ballast is located in the fixture. All compact fluorescent (PL) ballasts shall be instant start electronic with a starting temperature of down to 0 degrees F. They shall have a 4-pin socket to accept quad or triple tube lamps. Ballasts shall be DOE EISA compliant.

FIXTURE HOUSING

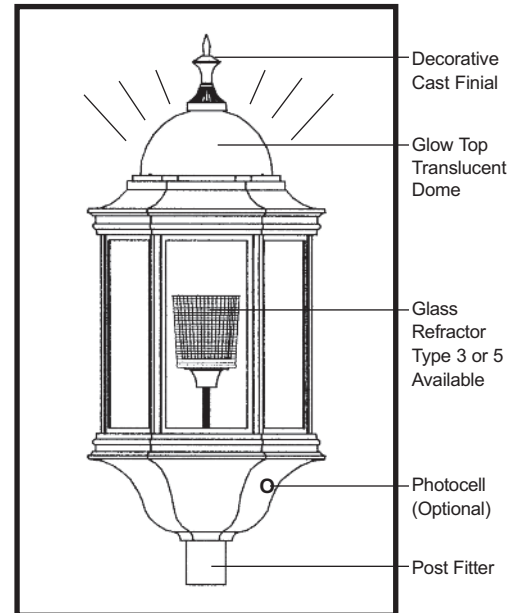
The fixture shall be 21" wide and the overall height shall be 49". It shall be made of heavy wall cast aluminum, 356 alloy and lenses will be made of vandal resistant acrylic, available in clear (CA), clear seeded (CSA), clear textured (CTA), prismatic (PA), and white (WA) acrylic. The 6830A Oak Street series features a white translucent dome of vandal resistant acrylic for up-light. The 6830B fixture features a sloped roof with a cupola and a finial. The 6830SB Villager series features a Colonial window pane and can be supplied with the (A) version or (B) version noted above.

OPTICAL OPTIONS

Refractors shall be 6" diameter borosilicate glass with an I.E.S. Type 3 (RE3) or Type 5 (RE5) distribution. It shall be secured to the socket stem with 3/8" plated steel threaded pipe nipple and rest on a cast aluminum holder with anti-shock gasket. The refractor will be secured to cast holder with a quarter-turn internal aluminum twist ring for ease of maintenance.

The NIGHTSKY® OPTI-SHIELD® Louver Optic System (LO) shall be a multi-tier reflector with 7" diameter rings to produce an I.E.S. Cut-off Type 3 or 5 distribution. The Louver Optic System shall be made of highly specular anodized aluminum and shall come standard with medium base socket.

NIGHTSKY® STAR-SHIELD® Roof Optics distribution shall be delivered by multi-segmented roof mounted reflector systems which eliminate uplight and provide cut-off. The reflector



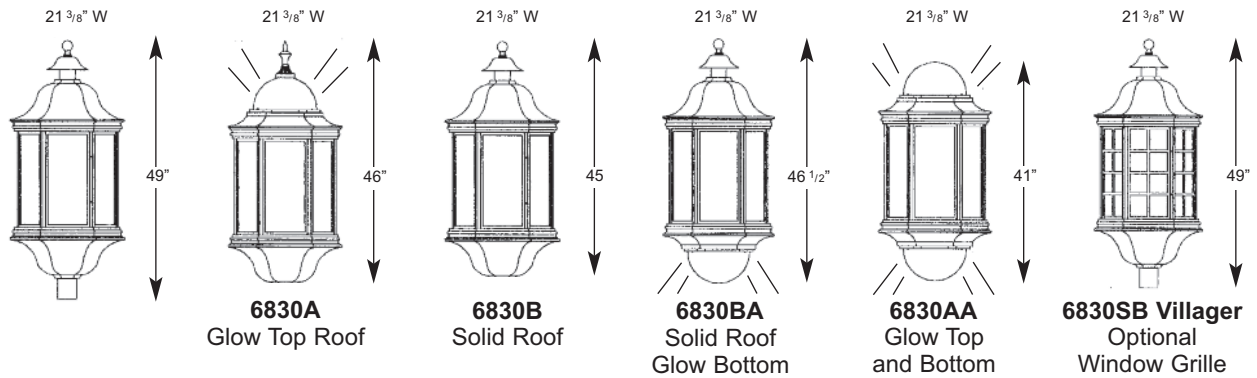
EPA = 4.95 (ft²)
WEIGHT = 46 LBS

LIST NO.
6830/6830SB
OAK STREET
SERIES

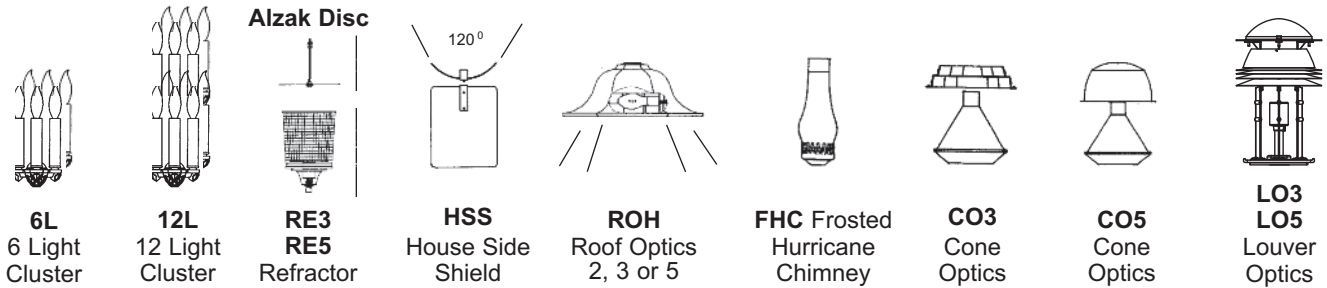
6830 / 6830SB OAK STREET

FIXTURES / FITTERS / ARMS PM-WB

FIXTURES



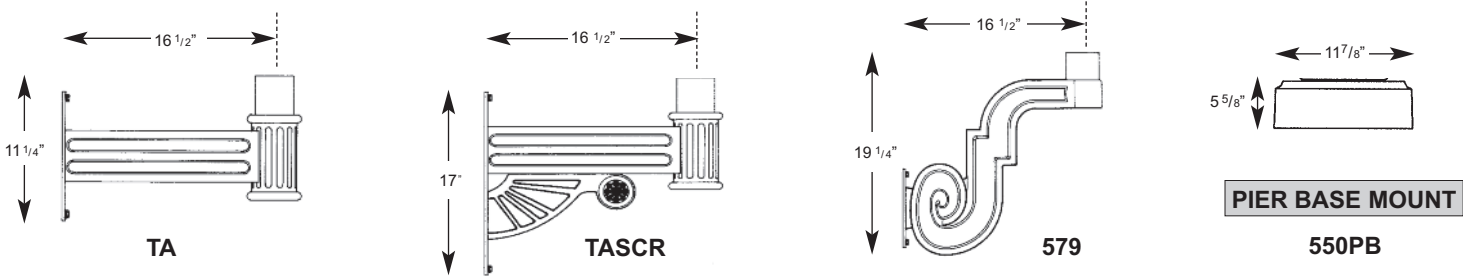
OPTICAL SYSTEMS



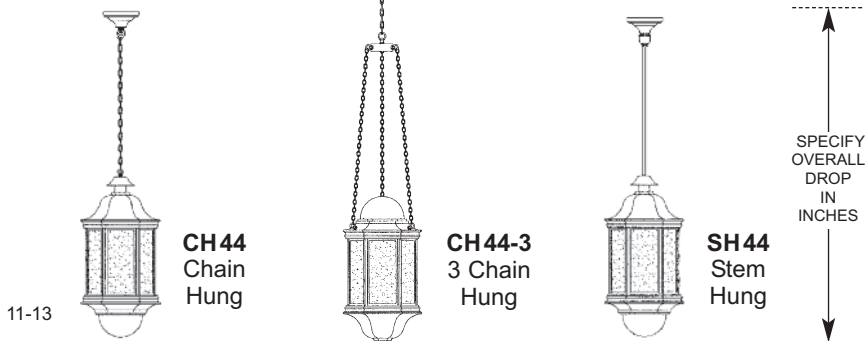
LENSES POST FITTERS



ARMS - POST MOUNT (PM) or WALL BRACKETS (WB) See Arms Section for more information



HANGING TYPES



BUILDING A PART NUMBER

POST & ARM FIXTURES

ARM MOUNTED FIXTURE NO.	CENTER POST TOP FIXTURE (PT)	POST ⁵	POST CAP	LIGHT SOURCE BALLAST	OPTICS	OPTIONS	LENS	FINISH		
OF ARMS	FIXT./POSTARM	FIXTURE/FITTER	(See Post Section)	WATTS / TYPE / VOLTS						
		6830SB/5	PT	4710FP5		100 HPS120	RE3	PEC	CA	BK

WALL FIXTURES

FIXTURE / WALL BRACKET	LIGHT SOURCE BALLAST	OPTICS	LENS	OPTIONS	FINISH
WATTS / TYPE / VOLTS					
6830A/91WB	100MHP120	RE3	CSA		BK



PIER FIXTURES
Uses same information boxes as wall fixture

6830/550PB

FIXTURE / FITTER / PIER BASE

HANGING FIXTURES

FIXTURE / HANGING BRACKET	OVERALL DROP IN INCHES	LIGHT SOURCE BALLAST	OPTICS	OPTIONS	LENS	FINISH
WATTS / TYPE / VOLTS						
6830B/CH44	96 INCHES	100 HPS120	RE3		CSA	BK



PART NUMBER SELECTIONS

FIXTURES

- 6830A⁶
- 6830B
- 6830BA
- 6830AA⁶
- 6830SA
- 6830SB
- 6830SBA
- 6830SAA

POST ARMS

- TAPT
- TASCRIPT
- 579

POST FITTERS

- /4
- /5

WALL BRACKET ARMS

- TAWB
- TASCROWB
- 579WB
- 91WB

OPTICS

- RE3
- RE5
- ALZAK
- HSS
- LO3⁴
- LO5⁴
- RO2^{4,7}
- RO3^{4,7}
- RO5^{4,7}
- FHC²
- CO3
- CO5
- 6L
- 12L

VOLTAGES

- 120
- 208
- 240
- 277
- 480
- MULTI (120-277)

HANGING TYPE

- CH44
- CH44-3
- SH44

LENSES

- CSA
- CA
- CTA
- PA
- WA

BALLASTS^{3,8}

- 35HPS¹
- 50HPS
- 70HPS
- 100HPS
- 150HPS
- 250HPS
- 50MHP
- 70MHP
- 100MHP
- 150MHP
- 175MHP⁹
- 200MHP
- 250MHP

LAMPS^{4,8}

- HPS35/MED
- HPS50/MED
- HPS70/MED
- HPS100/MED
- HPS150/MED
- HPS250/MOG/ED18
- MHP50/MED
- MHP70/MED
- MHP100/MED
- MHP150/MED
- MHP175/MOG/ED28⁹
- MHP200/MOG/ED28
- MHP250/MOG/ED28

PIER MOUNT

- 550PB

STANDARD FINISHES*

- BKT Black Textured
- WHT White Textured
- PGT Park Green Textured
- ABZT Architectural Medium Bronze Textured
- DBT Dark Bronze Textured

*Smooth Finishes are available upon request

CUSTOM FINISHES

- OI Old Iron
- RT Rust
- WBR Weathered Brown
- CD Cedar
- WBK Weathered Black
- TT Two Tone

STERNBERG SELECT FINISHES

- VG Verde Green
- SI Swedish Iron
- OWGT Old World Gray Textured

OPTIONS

- PEC1 Photocell-Bimetal 120 Volt
- PEC2 Photocell-Bimetal 208-277 Volt
- PEC1-E Photocell-Electronic 120 Volt
- PEC2-E Photocell-Electronic 208-277 Volt
- FHS Single Fuse and Holder-120, 277 Volt
- FHD Dual Fuse and Holder-208, 240, 480 Volt
- QR Quartz Re-Strike
- PF Pineapple Finial or Font (TA, TASCRT)
- BF Ball Finial or Font (TA, TASCRT)
- LAMPS Select from List

NOTES:

- 1 35HPS is 120 volt only.
- 2 MED base only when used to house lamp.
- 3 Medium base sockets are standard with ballasts up to 150 watts HID. Mogul base sockets are standard with ballasts 200 watts and over. 4-pin for PL.
- 4 Medium base lamp only. Consult factory for mogul base.
- 5 If tapered post is used specify 5"-4" or 6"-4" shaft.
- 6 RE3G, RE5G, 5L, 10L or FHC optics only.
- 7 Can support PLH or PLT up to 60 watts.
- 8 Metal halide systems are pulse start.
- 9 Consult factory for limitations.

6830 / 6830SB OAK STREET SERIES**SPECIFICATIONS****LIST NO.
6830/6830SB
OAK STREET
SERIES**

cavity shall be made of specular anodized aluminum. Roof Optics Type 2 (RO2), Type 3 (RO3), Type 5 (RO5) horizontal are available for medium base lamps.

Frosted Glass Hurricane Chimney (FHC) is an optic option which adds an authentic touch and can be used with Roof Optics.

Cone Optics Type 3 (CO3) distribution or Type 5 (CO5) distribution uses a vertically mounted lamp inside a highly specular reflector system to provide a reduction of uplight with a wide lighting span.

House Side Shield (HSS) is an option which will block up to 120° of light in any one direction.

6-Light (6L) candelabra set is an option for incandescent application.

QUARTZ RE-STRIKE

The 6830 fixture can be supplied with an optional quartz re-strike system to retain constant fixture light if the H.I.D. lamp fails. The fixture will be equipped with a 100 watt quartz lamp and a controller to run on a 120 volt circuit and must be used in conjunction with a 120 volt or multi-tap ballast.

PHOTOCELLS

Photocells shall be either the thermo bi-metal button type or the electronic button type. On single post top fixtures the photocell shall be mounted in the fitter and pre-wired to ballast. On multiple head fixture assemblies photocells shall be mounted in the pole shaft on an access plate and are not pre-wired as ballast housing assemblies and fitters are packaged separately for ease of wiring to source. The thermo bi-metal photocell shall be designed to turn on at 1.0 footcandle and turn off at not more than 5 footcandles. The electronic button type photocell is instant on and a 5-10 second turn off and shall turn on at 1.5 footcandles with a turn-off at 2-3 footcandles. Photocells are either 120 volt or 208 thru 277 volt.

ARMS

All arms are made of cast aluminum and/or extruded aluminum. Arms with decorative filigree have meticulously detailed scroll work and gracefully curved brackets. All 6830 fixtures will have its fitter either welded to the arm or will be mechanically attached at the factory to ensure arms will be plumb, secure and level over the life of the installation. Each arm shall be bolted to a post mount adapter, which is welded to the pole to ensure proper alignment to the base. Twin TA, TASCRA and 579 arms will be attached to a decorative center hub which will slip-fit the center tenon of the pole (not shown). BA and 779 arms are available as a twin application. Arms are pre-wired for ease of installation.

FINISH

Prior to coating, each assembly shall be chemically cleaned and etched in a 5-stage washing system which includes alkaline cleaning, rinsing, phosphoric etching, reverse osmosis water rinsing and non-chrome sealing to ensure corrosion resistance and excellent adhesion for the finish coating. The finish coating shall be electrostatically applied semi-gloss, super durable polyester powder baked at 400 degrees for a durable and superior, color retentive finish. Our optional antique Verde Green finish and Swedish Iron finish are hand brushed using a 3-step process. The total assembly shall be wrapped in shockproof wrapping or fully enclosed in corrugated cartons.

WARRANTY

Five-year limited warranty. See product and finish warranty guide for details.

