

450 LEXINGTON SERIES

ARCHITECTURAL POLE



CLICK FOR FAQ'S

CAST ALUMINUM BASE

10-1/2" DIAMETER BASE
3" HIGH

5 YEAR WARRANTY

UL LISTED

JOB NAME _____

FIXTURE TYPE _____

MEMO _____

BUILD A PART NUMBER

ORDERING EXAMPLE: 450FP4-12-.188-BCC-GFILPIUC-SH/BKT

Base Model	Shaft	Height	Wall Thickness	Post Center Cap	Option Burial	Option Ground Fault Breaker	Option Flag Pole Holder	Option Banner Arms	Option Planter Arms	Option Sign Arms	Option Speaker Hub	Option Sign Bracket	Option Steel Wreath Hook	Finish

Model

• 450

Shaft

- T4: 4"-3" Tapered Smooth
- P4: 4" Straight Smooth
- FP4: 4" Straight Fluted¹

¹Not available in .250 wall.

Height

• 8' • 10' • 12' • 14'

Wall Thickness

- .125: 1/8" Wall Thickness
- .188: 3/16" Wall Thickness
- .250: 1/4" Wall Thickness

Post Center Cap (if required)

(Click here to view post cap sheet)

- BCC • FCC • SCC • TFCC
- SSCC • RCC • PCC

Options (Click here to view accessories sheet)

- DB4 Direct Burial mounting style pole, with 4' direct burial section (or advise other length)
- HXB Helix Base mounting style pole
- GFI IUC 15 Amp duplex GFCI receptacles with a standard in-use cover
- GFI LPIUC 15 Amp duplex GFCI receptacles with a low-profile in-use cover
- GFI IB 15 Amp duplex GFCI receptacle installed in pole base, includes mouse hole on access door for wire access
- DCO IUC Duplex receptacles with a standard in-use cover (NO GFCI PROTECTION)
- DCO LPIUC Duplex receptacles with a low-profile in-use cover (NO GFCI PROTECTION)

- DCO IB Duplex receptacles installed in pole base, includes mouse hole on access door for wire access (NO GFCI PROTECTION)
- GFB Remote Ground Fault Breaker installed in pole base (for use with NON-GFCI receptacles)
- FH Cast Aluminum flag holder mount, for use with 1" diameter flag pole
- SBA Single Banner Arm, "PM" style mount
- DBA Double Banner Arms, "PM" style mount
- SBAR Single Banner Arm and Ring, for triangle banners, "PM" style mount
- HSBA Single Banner Arm, HUB mount style mount
- HDBA Double Banner Arms, HUB mount style mount
- BDBA6 Double Banner Arms, Break-Away style, to break with 60MPH wind gust
- BDBA9 Double Banner Arms, Break-Away style, to break with 90MPH wind gust
- C4SBA Single Banner Arm, Clamp-Style mount, for 4" diameter poles
- C5SBA Single Banner Arm, Clamp-Style mount, for 5" diameter poles
- C4DBA Double Banner Arms at 180°, Clamp-Style mount, for 4" diameter poles
- C5DBA Double Banner Arms at 180°, Clamp-Style mount, for 5" diameter poles
- DHPA Double Hooked Planter Arm
- SHPA Single Hooked Planter Arm
- DSPA Double Stepped Planter Arm
- SSPA Single Stepped Planter Arm
- PA478 Cast aluminum decorative planter arm
- SA78 Small cast aluminum decorative sign arm, with 24" long channel for blade sign by others

- SA478 Large cast aluminum decorative sign arm, with 24" long channel for blade sign by others
- SABA Banner arm style sign arm, with 24" long channel for blade sign by others
- SH Female threaded speaker hub, advise thread size
- SB Sign Bracket, vertically mounted on pole shaft
- WHK Steel wreath hook

Finish (Click here to view paint finish sheet)

Standard Finishes²

- BKT Black Textured
- WHT White Textured
- PGT Park Green Textured
- ABZT Architectural Medium Bronze Textured
- DBT Dark Bronze Textured

²Smooth finishes are available upon request.

Custom Finishes³

- CM Custom Match
- OI Old Iron
- RT Rust
- WBR Weathered Brown
- CD Cedar
- WBK Weathered Black
- TT Two Tone

³Custom colors require upcharge.

Sternberg Select Finishes

- VG Verde Green
- SI Swedish Iron
- OWGT Old World Gray Textured



800-621-3376
555 Lawrence Ave., Roselle, IL 60172
info@sternberglighting.com
www.sternberglighting.com

Specifications

Construction

The base shall be made of heavy wall, 356 alloy cast aluminum. It shall have a 3/4" thick floor cast as an integral part of the base. It shall have a cast anchor bolt cover designed with a curved relief. The shaft shall be double circumferentially welded internally and externally to the base for added strength.

Tenon

Standard tenon size to be 3" OD x 3" tall. Consult factory for additional sizes.

Shaft

The **straight smooth shaft** shall be made of ASTM 6063 extruded aluminum and tempered to a T6 condition

The **tapered smooth shaft** shall be made of ASTM 6063 extruded aluminum and tempered to a T6 condition

The **straight fluted shaft** shall be made of ASTM 6061 extruded aluminum and tempered to a T6 condition.

Installation

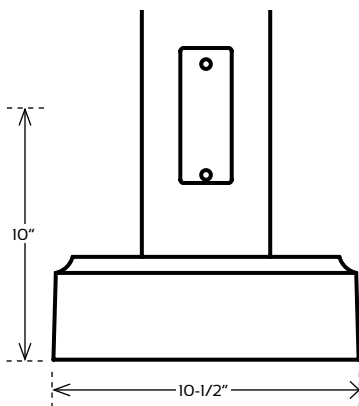
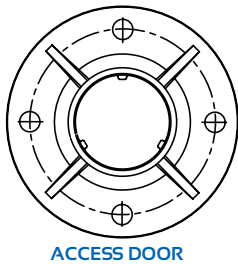
Four 1/2" diameter, hot-dipped galvanized "L" type anchor bolts shall be provided with the post for anchorage, they shall be mounted in a 8" bolt circle. Post will be provided with an access door which shall be secured with tamper proof stainless steel hardware, includes a grounding stud behind the access door.

Warranty

Five-year limited warranty. See product and finish warranty guide for details.

Finish

Refer to website for details.



TAPERED
SMOOTH
SHAFT



STRAIGHT
SMOOTH
SHAFT



STRAIGHT
FLUTED
SHAFT

450 LEXINGTON SERIES

ARCHITECTURAL POLE

EPA Chart - AASHTO 2009

POLE HEIGHT	90 MPH	100 MPH	110 MPH	120 MPH	130 MPH	140 MPH	150 MPH
T4 4"-3" Smooth Tapered Shaft - 0.125" Wall Thickness							
8	2.21	1.62	1.18	0.85	0.62	0.50	0.40
10	1.29	0.83	0.48				
12	0.60						
T4 4"-3" Smooth Tapered Shaft - 0.188" Wall Thickness							
8	3.59	2.73	2.10	1.62	1.28	1.07	0.90
10	2.39	1.71	1.22	0.84	0.59	0.46	0.35
12	1.51	0.95	0.54				
14	0.81	0.34					
T4 4"-3" Smooth Tapered Shaft - 0.25" Wall Thickness							
8	4.81	3.73	2.92	2.31	1.87	1.57	1.34
10	3.35	2.50	1.86	1.38	1.05	0.86	0.70
12	2.31	1.60	1.08	0.68	0.43	0.31	
14	1.49	0.89	0.45				
16	0.82	0.30					
FP4 4" Straight Fluted Pole - 0.125" Wall Thickness							
8	2.14	1.52	1.06	0.71	0.48	0.37	
10	1.11	0.63					
12	0.34						
FP4 4" Straight Fluted Pole - 0.188" Wall Thickness							
8	3.58	2.69	2.03	1.52	1.18	0.96	0.80
10	2.25	1.55	1.03	0.64	0.39		
12	1.27	0.70					
14	0.50						
P4 4" Straight Smooth Shaft - 0.125" Wall Thickness							
8	2.14	1.52	1.06	0.71	0.48	0.37	
10	1.11	0.63					
12	0.34						
P4 4" Straight Smooth Shaft - 0.188" Wall Thickness							
8	3.58	2.69	2.03	1.52	1.18	0.96	0.80
10	2.25	1.55	1.03	0.64	0.39		
12	1.27	0.70					
14	0.50						
P4 4" Straight Smooth Shaft - 0.25" Wall Thickness							
8	4.86	3.72	2.88	2.24	1.79	1.49	1.26
10	3.25	2.36	1.71	1.21	0.87	0.69	0.55
12	2.10	1.37	0.83	0.42			
14	1.20	0.58					

* Consult factory for other heights.
 ** All EPA values expressed in square feet.



800-621-3376
 555 Lawrence Ave., Roselle, IL 60172
 info@sternberglighting.com
 www.sternberglighting.com