

4130 HERITAGE II SERIES

SPECIFICATIONS

GENERAL

The 4130 Heritage II series is an elegantly styled fixture series featuring a tapered six sided cage and roof. It shall be appointed with a cast aluminum decorative finial.

FITTER

The fitter or base shall be heavy wall cast aluminum, 356 alloy for high tensile strength. It shall have an inside diameter opening to 3" diameter pole or tenon. When ordered with a Sternberg aluminum pole, the fitter shall be set screwed to the pole top or tenon.

BALLAST HOUSING

The ballast housing shall be heavy wall cast aluminum, 356 alloy for high tensile strength. The housing shall be mounted casted in one piece to the fitter to ensure a water tight compartment. The ballast shall be attached to the ballast on a removable door for easy external access to ballast.

ELECTRICAL

Fixture shall be U.L. or E.T.L. listed in U.S. and Canada. H.I.D. ballasts shall be high power factor with lamp starting down to -30 degrees C. Medium base sockets are 4KV rated. The ballast/socket assembly shall be pre-wired when ballast is located in the fixture. All compact fluorescent (PL) ballasts shall be instant start electronic with a starting temperature of down to 0 degrees F. They shall have a 4-pin socket to accept quad or triple tube lamps. Ballasts shall be DOE EISA compliant.

FIXTURE HOUSING

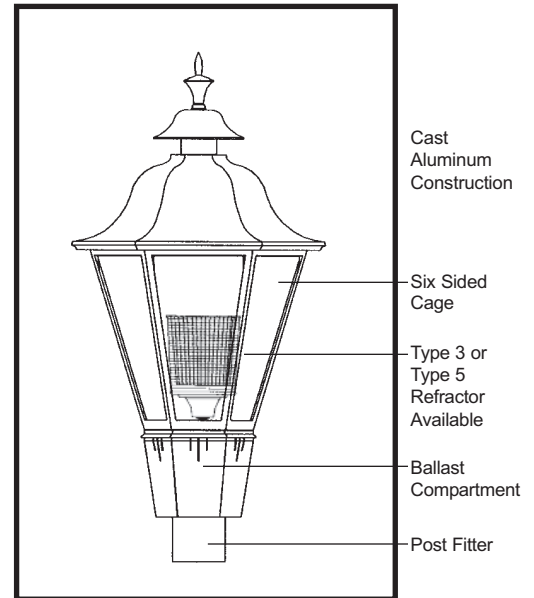
The 4130 fixture shall be 17" wide and the overall height shall vary from 33 1/4" to 34 1/4" It shall be made of heavy wall cast aluminum, 356 alloy and lenses will be made of vandal resistant acrylic, available in clear (CA), clear seeded (CSA), clear textured (CTA), prismatic (PA), and white (WA) acrylic. The 4130A fixture features a stately fluted hinged roof that flows from a hex to an octagon to a domed shape with a tall finial. The 4130B fixture features a solid brass dome with a tall finial. The 4130C features a sloped hinged roof with a cupola and a finial. The 4130D features a white translucent dome of vandal resistant acrylic for uplight.

OPTICAL OPTIONS

Refractors shall be 5" diameter borosilicate glass with an I.E.S. Type 3 (RE3) or Type 5 (RE5) distribution. It shall be secured to the socket stem with 3/8" plated steel threaded pipe nipple and rest on a cast aluminum holder with anti-shock gasket. The refractor will be secured to cast holder with a quarter-turn internal aluminum twist ring for ease of maintenance. The optional

Alzak Disc is an optical shield to help direct light downward. It shall be 7" diameter and made of specular reflective aluminum and mounted directly above lamp.

Frosted Glass Hurricane Chimney (FHC) is an optic option which adds an authentic touch.









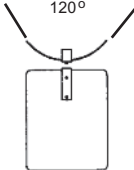
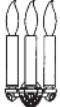
**EPA = 1.64 (ft²)
WEIGHT = 25 LBS**

**LIST NO.
4130A-B-C-D
HERITAGE II
SERIES**

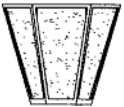
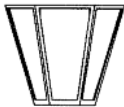


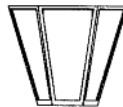
4130 HERITAGE II

FIXTURES / FITTERS / ARMS PM-WB

FIXTURES / OPTICAL SYSTEMS

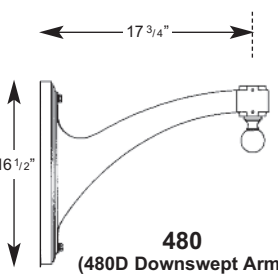
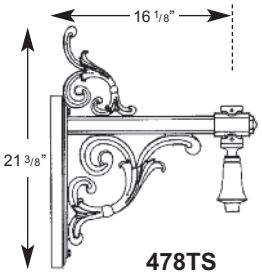
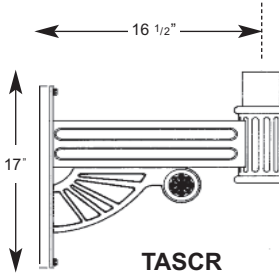
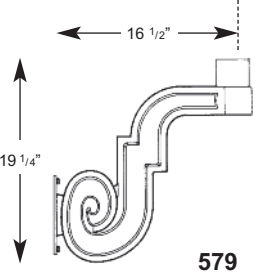
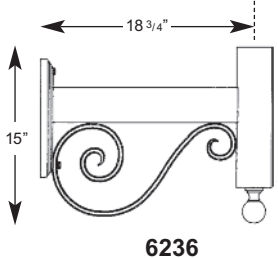
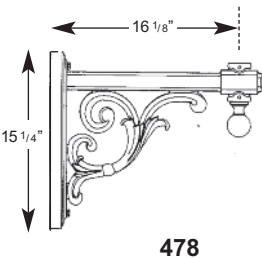
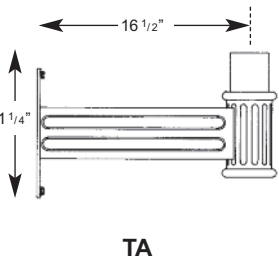
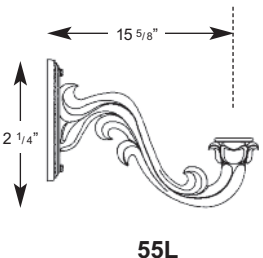
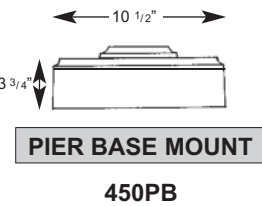
17" W  33 1/4"	17" W  33 1/4"	17" W  34 1/4"	17" W  33 1/4"		 Alzak Disc	 120° HSS House Side Shield	 3L 3 Light
4130A Fluted Roof	4130B Polished Brass Dome	4130C Solid Roof	4130D Glow Top Open Roof	FHC Frosted Hurricane Chimney	RE3 RE5 Reflector		

LENSES

 CSA Clear Seeded Acrylic	 CA Clear Acrylic	 CTA Clear Textured Acrylic	 PA Prismatic Acrylic	 WA White Acrylic
---	--	---	---	--

ARMS - POST MOUNT (PM) or WALL BRACKETS (WB)

See Arms Section for more information

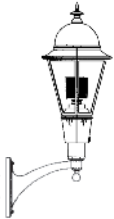
 480 (480D Downswept Arm)	 478TS	 TASCR	 579	
 6236	 478	 TA	 55L	 PIER BASE MOUNT 450PB

BUILDING A PART NUMBER



POST & ARM FIXTURES

ARM MOUNTED FIXTURE	CENTER POST TOP FIXTURE (PT)	POST	POST CAP	LIGHT SOURCE BALLAST	OPTICS	OPTIONS	LENS	FINISH
NO. OF ARMS	FIXTURE / POSTARM	FIXTURE (See Post Section)	WATTS / TYPE / VOLTS					
2	4130D/478PM	4130D PT	3412FP5	100 HPS120	RE5	PEC	CA	BK



WALL FIXTURES

FIXTURE / WALLBRACKET	LIGHT SOURCE BALLAST	OPTICS	OPTIONS	LENS	FINISH	PIER FIXTURES
4130D/480WB	100 HPS120	RE5	PEC	CA	BK	Uses same information boxes as wall fixture
						4130D/450PB



FIXTURE / PIER BASE

PART NUMBER SELECTIONS

FIXTURES

- 4130A
- 4130B
- 4130C
- 4130D

OPTICS

- RE3
- RE5
- ALZAK
- HSS
- FHC²
- 3L

POST ARMS

- 478PM
- 478TSPM
- 480PM
- 55LPM
- 6236PM
- 579PT
- TAPT
- TASCRIPT

VOLTAGES

- 120
- 208
- 240
- 277
- MULTI (120-277)

WALL BRACKET ARMS

- 478WB
- 478TSWB
- 480WB
- 55LWB
- 6236WB
- 579WB
- TAWB
- TASCROWB

PIER MOUNT

- 450PB

LENSES

- CSA
- CA
- CTA
- PA
- WA

BALLASTS^{3,4}

- 35HPS¹
- 50HPS
- 70HPS
- 100HPS
- 150HPS
- 50MHP
- 70MHP
- 100MHP
- 150MHP
- 26PLT
- 32PLT
- 42PLT
- INCAND

LAMPS⁴

- HPS35/MED
- HPS50/MED
- HPS70/MED
- HPS100/MED
- HPS150/MED
- MHP50/MED
- MHP70/MED
- MHP100/MED
- MHP150/MED
- PLT26
- PLT32
- PLT42

STANDARD FINISHES*

- BKT Black Textured
- WHT White Textured
- PGT Park Green Textured
- ABZT Architectural Medium Bronze Textured
- DBT Dark Bronze Textured

*Smooth Finishes are available upon request

CUSTOM FINISHES

- OI Old Iron
- RT Rust
- WBR Weathered Brown
- CD Cedar
- WBK Weathered Black
- TT Two Tone

STERNBERG SELECT FINISHES

- VG Verde Green
- SI Swedish Iron
- OWGT Old World Gray Textured

OPTIONS - PEC / POLE ONLY

- PEC Photocell-Electronic 208-277 Volt
- FHS Single Fuse and Holder-120,277 Volt
- FHD Dual Fuse and Holder-208,240,480 Volt
- QR Quartz Re-Strike
- PF Pineapple Finial or Font (TA, TASCRT)
- BF Ball Finial or Font (TA, TASCRT)
- LAMPS Select from List

NOTES:

- ¹ 35HPS is 120 volt only.
- ² MED base only when used to house lamp.
- ³ Medium base sockets standard.
- ⁴ Metal halide systems are pulse start.

4130 HERITAGE II SERIES

SPECIFICATIONS

LIST NO.
4130A-B-C-D
HERITAGE II
SERIES

House Side Shield (HSS) is an option which will block up to 120° of light in any one direction.

PHOTOCELLS

Photocells shall be the electronic button type. On single post top fixtures the photocell shall be mounted in the fitter and pre-wired to ballast. On multiple head fixture assemblies photocells shall be mounted in the pole shaft on an access plate and are not pre-wired as ballast housing assemblies and fitters are packaged separately for ease of wiring to source. The electronic button type photocell is instant on and a 5-10 second turn off and shall turn on at 1.5 footcandles with a turn-off at 2-3 footcandles. Photocells are 120-277 volt.

ARMS

All arms are made of cast aluminum and/or extruded aluminum. Arms with decorative filigree have meticulously detailed scroll work and gracefully curved brackets. All 4130 fixtures will have its fitter mechanically attached to the arms. Each arm shall be bolted to a post mount adapter, which is welded to the pole to ensure proper alignment to the base. Twin TA, TASCRA and 579 arms will be attached to a decorative center hub which will slip-fit the center tenon of the pole (not shown). Arms are pre-wired for ease of installation.

FINISH

Prior to coating, each assembly shall be chemically cleaned and etched in a 5-stage washing system which includes alkaline cleaning, rinsing, phosphoric etching, reverse osmosis water rinsing, and non-chrome sealing to ensure corrosion resistance and excellent adhesion for the finish coating. The finish coating shall be electrostatically applied semi-gloss, super durable polyester powder baked at 400 degrees for a durable and superior, color retentive finish. Our optional antique Verde Green finish and Swedish Iron finish are hand brushed using a 3-step process. The total assembly shall be wrapped in shockproof wrapping or fully enclosed in corrugated cartons.

WARRANTY

Five-year limited warranty. See product and finish warranty guide for details.