

2870 FALLING WATER SERIES

SPECIFICATIONS

GENERAL

The 2870 Falling Water Classic series is an impressive Art Deco styled eight-sided fixture. It consists of a decorative eight sided cast stepped roof and one piece cast cage. The roof shall be appointed with a decorative cast fluted pedestal finial.

POST FITTER

The fitter or base shall be heavy wall cast aluminum, 356 alloy for high tensile strength. It shall have an inside diameter opening to fit a 3" diameter pole or tenon. When ordered with a Sternberg aluminum pole, the fitter shall be set screwed to the pole top or tenon.

BALLAST

The ballast shall be remote mounted in the base of the pole, pole shaft, arm or ballast box. The 2870BB shall have an integral ballast compartment. The ballast housing shall be heavy wall cast aluminum, 356 alloy for high tensile strength. The housing shall be an integral part of the fixture and cast in one piece to ensure a water-tight compartment. The ballast shall be attached to the ballast housing to ensure high capacity heat sinking of ballast temperatures, keeping the ballast cooler and ensuring long life. The ballast shall be mounted on a pull out door for easy ballast maintenance

ELECTRICAL

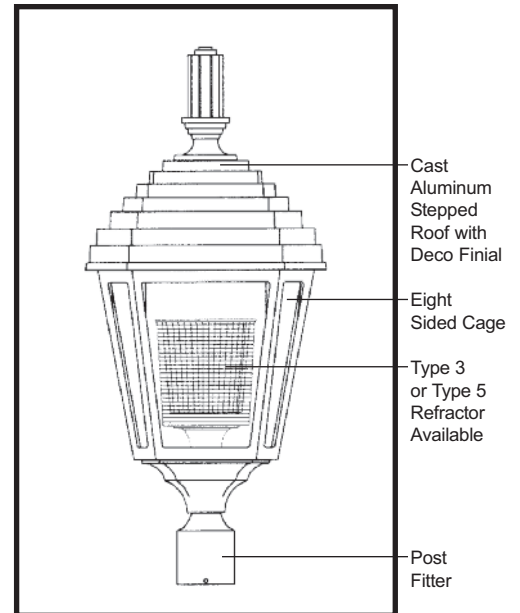
Fixture shall be U.L. or E.T.L. listed in U.S. and Canada. H.I.D. ballasts shall be high power factor with lamp starting down to -30 degrees C. Medium base and mogul base porcelain sockets are 4KV rated. All compact fluorescent (PL) ballasts shall be instant start electronic with a starting temperature of down to 0 degrees F. They shall have a 4-pin socket to accept quad or triple tube lamps. Ballasts shall be DOE EISA compliant.

FIXTURE HOUSING

The 2870 fixture shall be 15" wide and the overall height shall be 33¹/₄". It shall be made of heavy wall cast aluminum, 356 alloy and lenses shall be made of vandal resistant acrylic, available in clear (CA), clear seeded (CSA), clear textured (CTA), prismatic (PA), and white (WA) acrylic. The fixture cage shall be cast in one piece. The Model 2870 shall have an eight-sided roof, cage and bottom plate with four large lenses and four smaller corner lenses. The fixture shall be equipped with a lift hinge access door when the Roof Optics option is selected.

OPTICAL OPTIONS

Refractors shall be 6" diameter borosilicate glass with an I.E.S. Type 3 (RE3) or Type 5 (RE5) distribution. It shall be secured to the socket stem with 3/8" plated steel threaded pipe nipple and rest on a cast aluminum holder with anti-shock gasket. The refractor will be secured to cast holder with a quarter-turn internal aluminum twist ring for ease of maintenance.



**EPA = 2.59 (ft²)
WEIGHT = 27 LBS**


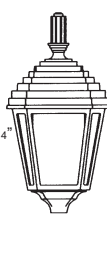
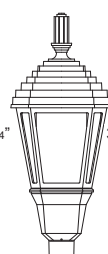
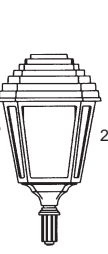
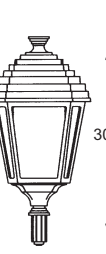
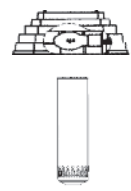



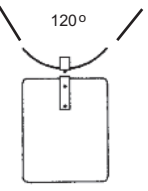

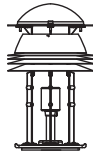
**LIST NO. 2870
FALLING
WATER
SERIES**

The NIGHTSKY® OPTI-SHIELD® Louver Optic System (LO) shall be a multi-tier reflector with 7" diameter rings to produce an I.E.S. Cut-off Type 3 or 5 distribution. The Louver Optic

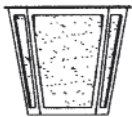
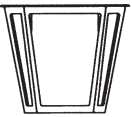

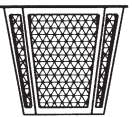
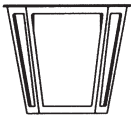


2870 FALLING WATER

FIXTURES/ARMS PM-WB

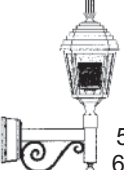
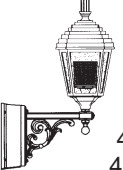







FIXTURES / OPTICAL SYSTEMS

15" W  2870 Post Top Version	15" W  2870 Arm or Pier Mount Version	15" W  2870BB Integral Ballast	15" W  2870AH Arm Hung Version	15" W  2870H Hanging Version	RO Roof Optics Type 2, 3 or 5 	Alzak Disc 	 FMC Frosted Mission Chimney	 RE3 RE5 Refractor	 HSS House Side Shield	 3L 3 Light	 LO3 LO5 Louver Optics
--	--	---	---	---	---	--	---	--	---	---	---

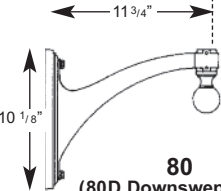
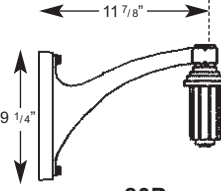
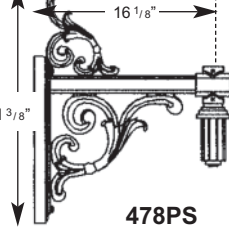
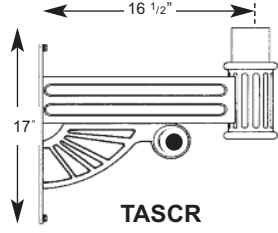
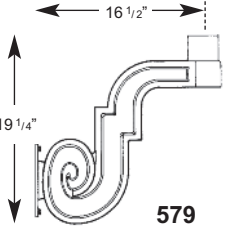
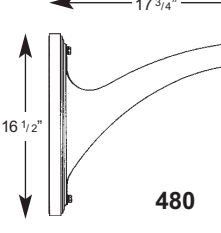
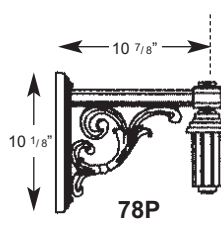
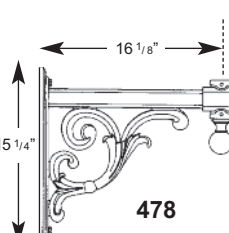
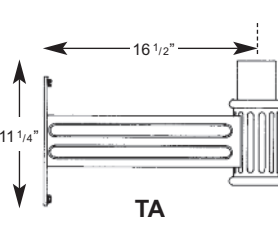
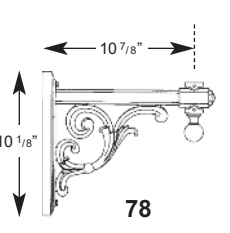
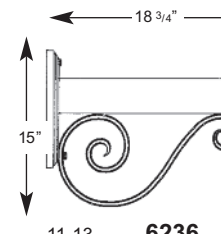
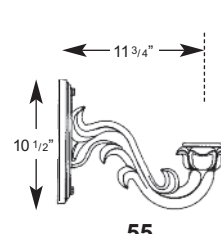
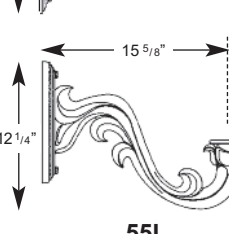
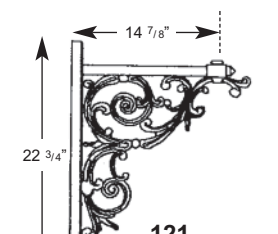
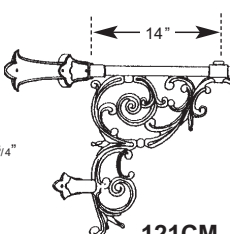
LENSES

 CSA Clear Seeded Acrylic	 CA Clear Acrylic	 CTA Clear Textured Acrylic	 PA Prismatic Acrylic	 WA White Acrylic	 Stem Hung	 Chain Hung
--	--	---	--	--	---	--

BALLASTED WALL MOUNTS (BB) PIER MOUNTS (PB) HANGING BRACKETS

 Wall Ballast Box for 55, 78, 80, 6236 Arms	 Wall Ballast Box for 478 and 480 Arms	 PB44 Incan- descent	 PB28 For 150 to 250 Watt Ballasts	 PB27B For up to 100 Watt Ballasts	 SH-CH28 For 150 to 250 Watt Ballasts	 SH-CH27B For up to 100 Watt Ballasts	 SH44	 CH44
--	--	---	--	---	---	---	--	--

ARMS - POST MOUNT (PM) or WALL BRACKETS (WB)

 80 (80D Downswept Arm)	 80P (80DP Downswept Arm)	 478PS	 TASCR	 579
 480	 78P	 478	 TA	 78
 6236	 55	 55L	 121	 121CM Corner Mount

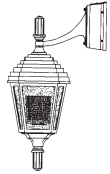
Specify Overall Drop in Inches

BUILDING A PART NUMBER



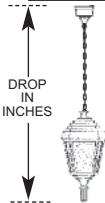
POST & ARM FIXTURES

ARM MOUNTED FIXTURE NO. OF ARMS	CENTER POST TOP FIXTURE (PT) FIXTURE	POST	POST CAP	LIGHT SOURCE BALLAST	OPTICS	OPTIONS	LENS	FINISH
2	2870/478PM	PT	3412DFP5	TFCC	100 HPS120	RE3	HPS100/MED	CSA / BK



WALL FIXTURES

FIXTURE / WALL BRACKET	LIGHT SOURCE BALLAST	OPTICS	OPTIONS	LENS	FINISH	PIER FIXTURES
2870AH/80DPWBB	100 HPS120	RE3	HPS100/MED	CTA	BK	Uses same information boxes as wall fixture 2870/PB28 FIXTURE / PIER BASE



HANGING FIXTURES

FIXTURE / HANGING BRACKET	OVERALL DROP IN INCHES	LIGHT SOURCE BALLAST	OPTICS	OPTIONS	LENS	FINISH
2870H/CH27B	48 INCHES	100 HPS120	FMC	HPS100/MED	CSA	BK

PART NUMBER SELECTIONS

FIXTURES¹

- 2870
- 2870BB
- 2870AH
- 2870H

OPTICS

- RE3
- RE5
- ALZAK
- HSS
- LO3
- LO5
- RO2^{6,7}
- RO3^{6,7}
- RO5^{6,7}
- FMC³
- 3L

LENSES

- CSA
- CA
- CTA
- PA
- WA

OPTIONS

- PEC1 Photocell-Bimetal 120 Volt
- PEC2 Photocell-Bimetal 208-277 Volt
- PEC1-E Photocell-Electronic 120 Volt
- PEC2-E Photocell-Electronic 208-277 Volt
- FHS Single Fuse and Holder-120, 277 Volt
- FHD Dual Fuse and Holder-208, 240, 480 Volt
- QR Quartz Re-Strike
- PF Pineapple Finial or Font (TA, TASCRT)
- BF Ball Finial or Font (TA, TASCRT)
- LAMPS Select from List

WALL BRACKET ARMS WITH BALLAST BOX

- 78WB
- 78LFW
- 78LFWBB
- 478WB
- 478PSWB
- 80PPM
- 80DPPM
- 80PM
- 80WBB
- 80PWBB
- 80DPWBB
- 480WB
- 480DWBB
- 55WB
- 55LWB
- 55LWBB
- 6236WB
- 6236WBB
- TAWBB
- TASCRTWBB
- 121WBB⁵

PIER BASES

- PB44
- PB27B
- PB28

POST ARMS

- 78PM
- 78LPM
- 478PM
- 478PSPM
- 80PPM
- 80DPPM
- 80PM
- 80DPM
- 480PM
- 480DPM
- 55PM
- 55LPM
- 121PM
- 6236PM
- 579PT
- TAPT
- TASCRTPT

WALL BRACKET ARMS

- 78WB
- 78LFW
- 478WB
- 478DSWB
- 80WB
- 80DWB
- 80DPWB
- 480WB
- 480DWB
- 55WB
- 55LWB
- 6236WB
- 579WB
- TAWB
- TASCRTWB
- 121WB
- 121CMWB

BALLASTS^{1,4,8}

- 35HPS²
- 50HPS
- 70HPS
- 100HPS
- 150HPS
- 250HPS
- 50MHP
- 70MHP
- 100MHP
- 150MHP
- 26PLT
- 32PLT
- 42PLT
- INCAND

LAMPS⁸

- HPS35/MED
- HPS50/MED
- HPS70/MED
- HPS100/MED
- HPS150/MED
- HPS250/MOG/ED18
- MHP50/MED
- MHP70/MED
- MHP100/MED
- MHP150/MED
- PLT26
- PLT32
- PLT42

STANDARD FINISHES*

- BKT Black Textured
- WHT White Textured
- PGT Park Green Textured
- ABZT Architectural Medium Bronze Textured
- DBT Dark Bronze Textured

*Smooth Finishes are available upon request

CUSTOM FINISHES

- OI Old Iron
- RT Rust
- WBR Weathered Brown
- CD Cedar
- WBK Weathered Black
- TT Two Tone

STERNBERG SELECT FINISHES

- VG Verde Green
- SI Swedish Iron
- OWGT Old World Gray Textured

NOTES:

- 1 Pole mounted fixtures - requires ballast to be mounted in pole base.
- 1 Wall mounted fixtures - requires wall bracket arms with ballast box.
- 1 Pier mounted fixtures - require PB28 or PB27B if ballasted.
- 1 Hanging fixtures - require CH/SH28 or CH/SH27B if ballasted.
- 2 35HPS is 120 volt only.
- 3 Medium base socket only when used to house lamp.
- 4 Medium base sockets are standard with ballasts up to 150 watts HID.
- 5 Custom ballast box. 6 Medium base lamp only. Consult factory for mogul base. 7 Can support PLH or PLT up to 60 watts.
- 8 Metal halide systems are pulse start. 9 Consult factory for limitations.

2870 FALLING WATER SERIES

SPECIFICATIONS

**LIST NO. 2870
FALLING
WATER
SERIES**

System shall be made of highly specular anodized aluminum and shall come standard with medium base socket.

NIGHTSKY® STAR-SHIELD® Roof Optics distribution shall be delivered by multi-segmented roof mounted reflector systems which eliminate uplight and provide cut-off. The reflector cavity shall be made of specular anodized aluminum. Roof Optics Type 2 (RO2), Type 3 (RO3), Type 5 (RO5H) horizontal are available for medium base lamps.

Frosted Mission Chimney (FMC) is an optic option which adds an authentic touch and can be used with Roof Optics.

House Side Shield (HSS) is an option which will block up to 120° of light in any one direction.

3-Light (3L) candelabra set is an option for incandescent application.

PHOTOCELLS

Photocells shall be either the thermo bi-metal button type or the electronic button type. On single post top fixtures the photocell shall be mounted in the fitter and pre-wired to ballast. On multiple head fixture assemblies photocells shall be mounted in the pole shaft on an access plate and are not pre-wired as ballast housing assemblies and fitters are packaged separately for ease of wiring to source. The thermo bi-metal photocell shall be designed to turn on at 1.0 footcandle and turn off at not more than 5 footcandles. The electronic button type photocell is instant on and a 5-10 second turn off and shall turn on at 1.5 footcandles with a turn-off at 2-3 footcandles. Photocells are either 120 volt or 208 thru 277 volt.

ARMS

All arms are made of cast aluminum and/or extruded aluminum. Arms with decorative filigree have meticulously detailed scroll work and gracefully curved brackets. All 2870 fixtures will have its fitter mechanically attached to the arms. Each arm shall be bolted to a post mount adapter, which is welded to the pole to ensure proper alignment to the base. Twin TA, TASCRA and 579 arms will be attached to a decorative center hub which will slip-fit the center tenon of the pole (not shown). Arms are pre-wired for ease of installation.

FINISH

Prior to coating, each assembly shall be chemically cleaned and etched in a 5-stage washing system which includes alkaline cleaning, rinsing, phosphoric etching, reverse osmosis water rinsing, and non-chrome sealing to ensure corrosion resistance and excellent adhesion for the finish coating. The finish coating shall be electrostatically applied semi-gloss, super durable polyester powder baked at 400 degrees for a durable and superior, color retentive finish. Our optional antique Verde Green finish and Swedish Iron finish are hand brushed using a 3-step process. The total assembly shall be wrapped in shockproof wrapping or fully enclosed in corrugated cartons.

WARRANTY

Five-year limited warranty. See product and finish warranty guide for details.

