

# 2770 FALLING WATER II SERIES

# SPECIFICATIONS

## GENERAL

The 2770 Falling Water II series is an impressive Art Deco styled eight-sided fixture. It consists of a decorative eight sided cast stepped roof and one piece cast cage. The roof shall be appointed with a decorative cast fluted pedestal finial.

## POST FITTER

The fitter or base shall be heavy wall cast aluminum, 356 alloy for high tensile strength. It shall have an inside diameter opening to fit a 3" diameter pole or tenon. When ordered with a Sternberg aluminum pole, the fitter shall be set screwed to the pole top or tenon.

## BALLAST

The ballast shall be remote mounted in the base of the pole, pole shaft, arm or ballast box.

## ELECTRICAL

Fixture shall be U.L. or E.T.L. listed in U.S. and Canada. H.I.D. ballasts shall be high power factor with lamp starting down to -30 degrees C. Medium base socket is 4KV rated. All compact fluorescent (PL) ballasts shall be instant start electronic with a starting temperature of down to 0 degrees F. They shall have a 4-pin socket to accept quad or triple tube lamps. Ballasts shall be DOE EISA compliant.

## FIXTURE HOUSING

The 2770 fixture shall be 10" wide and the overall height shall be 23 3/4". It shall be made of heavy wall cast aluminum, 356 alloy and lenses shall be made of vandal resistant acrylic, available in clear (CA), clear seeded (CSA), clear textured (CTA), prismatic (PA), and white (WA) acrylic. The fixture cage shall be cast in one piece. The Model 2770 shall have an eight-sided roof, cage and bottom plate with four large lenses and four smaller corner lenses.

## OPTICAL OPTIONS

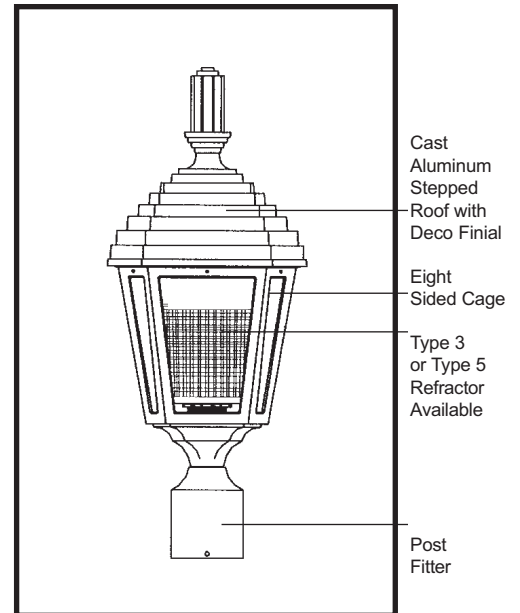
Refractors shall be 5" diameter borosilicate glass with an I.E.S. Type 3 (RE3) or Type 5 (RE5) distribution. It shall be secured to the socket stem with 3/8" plated steel threaded pipe nipple and rest on a cast aluminum holder with anti-shock gasket. The refractor will be secured to cast holder with a quarter-turn internal aluminum twist ring for ease of maintenance. The optional **Alzak Disc** is an optical shield to help direct light downward. It shall be 7" diameter and made of specular reflective aluminum and mounted directly above lamp.

**Frosted Glass Mission Chimney (FMC)** is an optic option which adds an authentic touch.

**House Side Shield (HSS)** is an option that will block up to 120° of light in any one direction.

## PHOTOCELLS

Photocells shall be either the thermo bi-metal button type or the electronic button type. On single

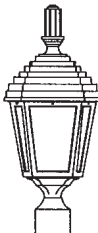


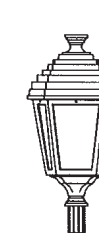

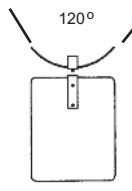




**EPA = 1.47 (ft<sup>2</sup>)  
WEIGHT = 15 LBS**

# 2770 FALLING WATER II

# FIXTURES/ARMS PM-WB

## FIXTURES / OPTICAL SYSTEMS

 <b>2770</b> Post Top Version	 <b>2770</b> Arm or Pier Mount Version	 <b>2770AH</b> Arm Hung Version	 <b>2770H</b> Hanging Version	<b>Alzak Disc</b>  <b>RE3</b> <b>RE5</b> Refractor	 <b>HSS</b> House Side Shield	 <b>FMC</b> Frosted Mission Chimney	 <b>3L</b> 3 Light
---	---	--	--	--	--	--	---

## LENSES

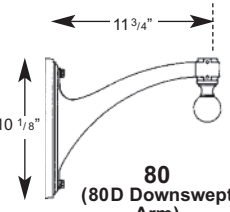
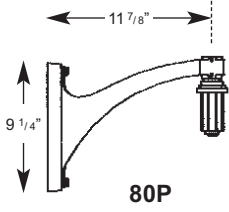
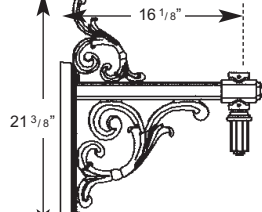
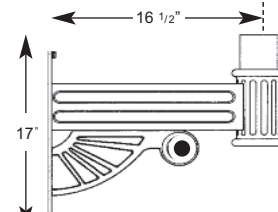
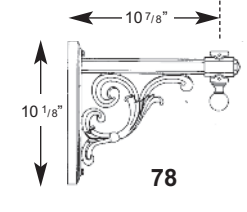
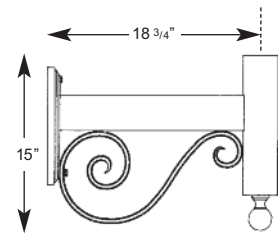
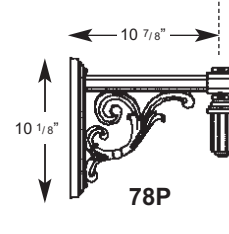
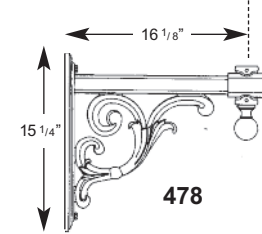
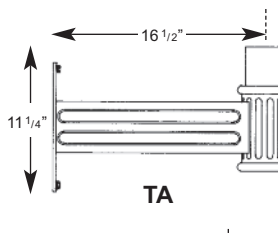
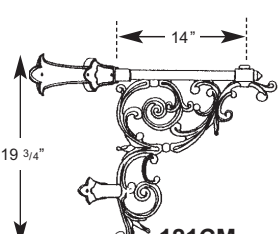
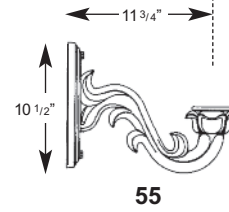
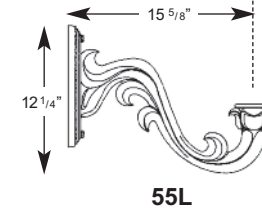
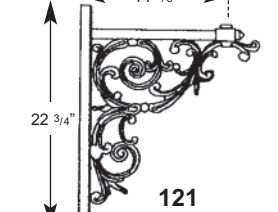
 <b>CSA</b> Clear Seeded Acrylic	 <b>CA</b> Clear Acrylic	 <b>CTA</b> Clear Textured Acrylic	 <b>PA</b> Prismatic Acrylic	 <b>WA</b> White Acrylic	 Stem Hung	 Chain Hung
--	---	---	---	---	--	---

Specify Overall Drop in Inches

## BALLASTED WALL MOUNTS (BB)      PIER MOUNTS (PM)      HANGING BRACKETS

 Wall Ballast Box for 55, 78, 80, 6236 Arms	 Wall Ballast Box for 478 and 480 Arms	 <b>PB44</b> Incandescent	 <b>PB27B</b> For up to 100 Watt Ballasts	 <b>SH-CH27B</b> For up to 100 Watt Ballasts	 <b>SH44</b>	 <b>CH44</b>
--	--	--	---	---	--	--

## ARMS - POST MOUNT (PM) or WALL BRACKETS (WB)      See Arms Section for more information

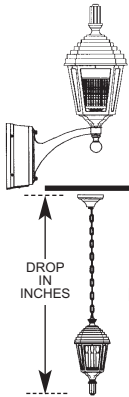
 <b>80</b> (80D Downswept Arm)	 <b>80P</b>	 <b>478PS</b>	 <b>TASCRA</b>	 <b>78</b>
 <b>6236</b>	 <b>78P</b>	 <b>478</b>	 <b>TA</b>	 <b>121CM</b> Corner Mount
	 <b>55</b>	 <b>55L</b>	 <b>121</b>	

# BUILDING A PART NUMBER



## POST & ARM FIXTURES

ARM MOUNTED FIXTURE NO. OF ARMS	CENTER POST POST FIXTURE (PT) FIXTURE	POST	POST CAP	LIGHT SOURCE BALLAST WATTS / TYPE / VOLTS	OPTICS	OPTIONS	LENS	FINISH
2	2770/78PM	PT	3410FP4	TFCC	100 HPS120	RE3	HPS100/MED	CSA / BK



## WALL FIXTURES

FIXTURE / WALLBRACKET	LIGHT SOURCE BALLAST WATTS / TYPE / VOLTS	OPTICS	OPTIONS	LENS	FINISH	PIER FIXTURES Uses same information boxes as wall fixture
2770/80WB	100 HPS120	RE3	HPS100/MED	CA	BK	2770/PB27B PIER BASE

## HANGING FIXTURES

FIXTURE / HANGING BRACKET	OVERALL DROP IN INCHES	LIGHT SOURCE BALLAST WATTS / TYPE / VOLTS	OPTICS	OPTIONS	LENS	FINISH
2770H/CH44	48 INCHES	INCAND	3L		CA	BK

## PART NUMBER SELECTIONS

### FIXTURES<sup>1</sup>

- 2770
- 2770AH
- 2770H

### OPTICS

- RE3
- RE5
- ALZAK
- HSS
- FMC<sup>3</sup>
- 3L

### LENSES

- CSA
- CA
- CTA
- PA
- WA

### OPTIONS

- PEC1 Photocell-Bimetal 120 Volt
- PEC2 Photocell-Bimetal 208-277 Volt
- PEC1-E Photocell-Electronic 120 Volt
- PEC2-E Photocell-Electronic 208-277 Volt
- FHS Single Fuse & Holder-120,277 Volt
- FHD Dual Fuse & Holder-208,240,480 Volt
- QR Quartz Re-Strike
- PF Pineapple Finial or Font (TA, TASCRT)
- BF Ball Finial or Font (TA, TASCRT)
- LAMPS Select from List

### WALL BRACKET

- ARMS WITH BALLAST BOX
- 78WB
- 78TW
- 478PSWB
- 80WB
- 80PWB
- 80DPWB
- 480WB
- 55WB
- 55LWB
- TAWB
- TASCRTWB
- 121WB

### POST ARMS

- 78PM
- 78TPM
- 478PM
- 478PSM
- 80PM
- 80DPM
- 80PPM
- 80DPPM
- 55PM
- 55LPM
- 121PM
- 6236PM
- TAPT
- TASCRTPT

### PIER BASES

- PB44
- PB27B

### WALL BRACKET ARMS

- 78WB
- 78TW
- 478WB
- 478PSWB
- 80WB
- 80PWB
- 80DPWB
- 480WB
- 55WB
- 55LWB
- 6236WB
- TAWB
- TASCRTWB
- 121WB
- 121CMWB

### BALLASTS<sup>1,4,6</sup>

- 35HPS<sup>2</sup>
- 50HPS
- 70HPS
- 100HPS
- 150HPS
- 50MHP
- 70MHP
- 100MHP
- 26PLT
- 32PLT
- 42PLT
- 57PLT
- 70PLT
- INCAND
- QL55<sup>\*</sup>

<sup>\*</sup>Consult factory for specification details

### LAMPS<sup>6</sup>

- HPS35/MED
- HPS50/MED
- HPS70/MED
- HPS100/MED
- HPS150/MED
- MHP50/MED
- MHP70/MED
- MHP100/MED
- PLT26
- PLT32
- PLT42
- PLT57
- PLT70

### STANDARD FINISHES<sup>\*</sup>

- BKT Black Textured
- WHT White Textured
- PGT Park Green Textured
- ABZT Architectural Medium Bronze Textured
- DBT Dark Bronze Textured

<sup>\*</sup>Smooth Finishes are available upon request

### CUSTOM FINISHES

- OI Old Iron
- RT Rust
- WBR Weathered Brown
- CD Cedar
- WBK Weathered Black
- TT Two Tone

### STERNBERG SELECT FINISHES

- VG Verde Green
- SI Swedish Iron
- OWGT Old World Gray Textured

### NOTES:

- 1 Pole mounted fixtures - require ballast to be mounted in pole base.
- 1 Wall mounted fixtures - require wall bracket arms with ballast box.
- 1 Pier mounted fixtures - require PB28 or PB27B if ballasted.
- 1 Hanging fixtures - require CH/SH28 or CH/SH27B if ballasted.
- 2 35HPS is 120 volt only.
- 3 Medium base socket only when used to house lamp.
- 4 Medium base sockets standard.
- 5 Custom ballast box.
- 6 Metal halide systems are pulse start.

## 2770 FALLING WATER II SERIES

## SPECIFICATIONS

**LIST NO. 2770  
FALLING  
WATER II  
SERIES**

post top fixtures the photocell shall be mounted in the fitter and pre-wired to ballast. On multiple head fixture assemblies photocells shall be mounted in the pole shaft on an access plate and are not pre-wired as ballast housing assemblies and fitters are packaged separately for ease of wiring to source. The thermo bi-metal photocell shall be designed to turn on at 1.0 footcandle and turn off at not more than 5 footcandles. The electronic button type photocell is instant on and a 5-10 second turn off and shall turn on at 1.5 footcandles with a turn-off at 2-3 footcandles. Photocells are either 120 volt or 208 thru 277 volt.

### ARMS

All arms are made of cast aluminum and/or extruded aluminum. Arms with decorative filigree have meticulously detailed scroll work and gracefully curved brackets. All 2770 fixtures will have its fitter mechanically attached to the arms. Each arm shall be bolted to a post mount adapter, which is welded to the pole to ensure proper alignment to the base. Twin TA, TASCRCR and 579 arms will be attached to a decorative center hub which will slip-fit the center tenon of the pole (not shown). Arms are pre-wired for ease of installation.

### FINISH

Prior to coating, each assembly shall be chemically cleaned and etched in a 5-stage washing system which includes alkaline cleaning, rinsing, phosphoric etching, reverse osmosis water rinsing, and non-chrome sealing to ensure corrosion resistance and excellent adhesion for the finish coating. The finish coating shall be electrostatically applied semi-gloss, super durable polyester powder baked at 400 degrees for a durable and superior, color retentive finish. Our optional antique Verde Green finish and Swedish Iron finish are hand brushed using a 3-step process. The total assembly shall be wrapped in shockproof wrapping or fully enclosed in corrugated cartons.

### WARRANTY

Five-year limited warranty. See product and finish warranty guide for details.