

**1940 / 1945 GLENVIEW SERIES**

**SPECIFICATIONS**

**GENERAL**

The 1940 & 1945 Glenview series is a decorative downlight fixture which consists of a decorative cast aluminum fitter, cast ballast housing assembly, a spun aluminum shade and lens. All fixtures have sealed and rotatable optics and are available with Flat, Sag, Clear or Frosted Glass Lens.

**FITTER**

The fitter shall be heavy wall cast aluminum with eight flutes, 356 alloy for high tensile strength with an average wall thickness of .250". It shall have an 9 1/4" inside diameter opening to attach to the 9" neck of the acorn/shade assembly. When ordered with a Sternberg candy cane pole, the fitter shall be welded to the arm end or tenon for safety and to ensure the fixture will be plumb, secure and level over the life of the installation. The large end of the fitter shall contain the cast ballast housing.

**BALLAST HOUSING**

The ballast housing shall be heavy wall cast aluminum, 356 alloy for high tensile strength. The housing shall be cast as an integral part of the fitter to prevent water entry into the ballast compartment and to ensure high capacity heat sinking of ballast temperatures, keeping the ballast cooler and ensuring long life. The ballast mounting plate shall be cast aluminum and provide tool-less removal from the housing using 2 ea finger latches.

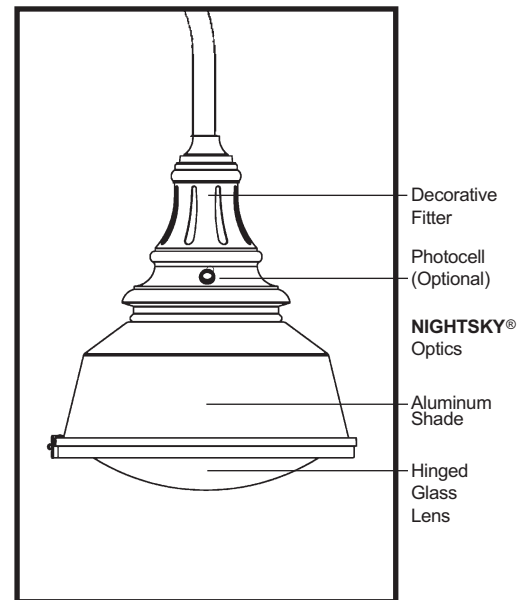
**ELECTRICAL**

The fixture shall be U.L. or E.T.L. listed. H.I D. ballasts shall be high power factor with lamp starting down to -30 degrees C. Medium base and mogul base porcelain sockets are 4KV rated. The ballast/socket assembly shall be pre-wired and located in the fitter when specified with a medium base socket. All compact fluorescent (PL) ballasts shall be instant start electronic with a starting temperature of down to 0 degrees F. They shall have a 4-pin socket to accept quad or triple tube lamps. Ballasts shall be DOE EISA compliant

**SHADE ASSEMBLY OPTIONS**

The Model 1940 shall be 20" diameter with clear tempered glass lens. The housing assembly shall be attached to the fitter using 4 each stainless steel set screws. The shade shall be made of .100 thick spun aluminum and have an outside diameter of 20". It shall have an 9" spun aluminum neck for insertion into the cast fitter. The shade shall be gasketed to the fitter using closed cell neoprene gasket to help prevent insect entry into the lens. The lens shall be hinged for ease of relamping. The fixture uses a lamp mounted horizontally for reduction of up-light.

The Model 1945 shall be 24" diameter with clear tempered glass lens. The housing assembly shall be attached to the fitter using 4 each stainless steel set screws. The shade shall be made of .100 thick spun aluminum and have an outside diameter of 24". It shall have an 9" spun aluminum neck for insertion into the cast fitter. The shade shall be gasketed to the fitter using closed cell neoprene gasket to help prevent insect entry into the lens. The lens shall be hinged for ease of relamping. The fixture uses a lamp mounted horizontally for reduction of up-light.

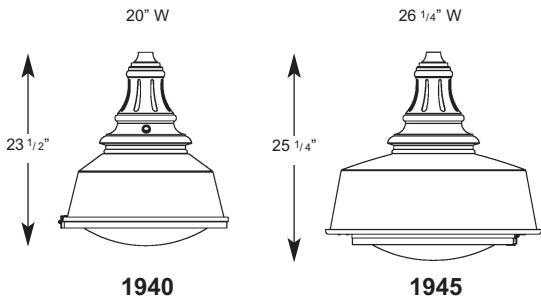


**EPA = 0.81 (ft²)  
WEIGHT = 13 LBS**

**1940/  
1945 GLENVIEW**

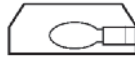
**FIXTURES / ARMS PM - WB**

**FIXTURES      OPTICAL SYSTEMS      LENSES      HANGING BRACKETS**



**1940**

**1945**



**RO**  
Roof Optics  
Horizontal  
2, 3, 4 or 5



**FG\***  
Flat Glass



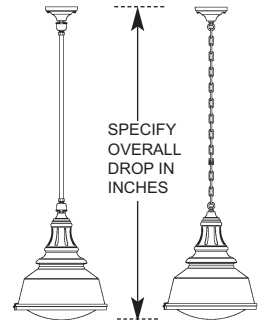
**SG**  
Sag Glass



**FFG\***  
Frosted Flat  
Glass



**FSG**  
Frosted Sag  
Glass



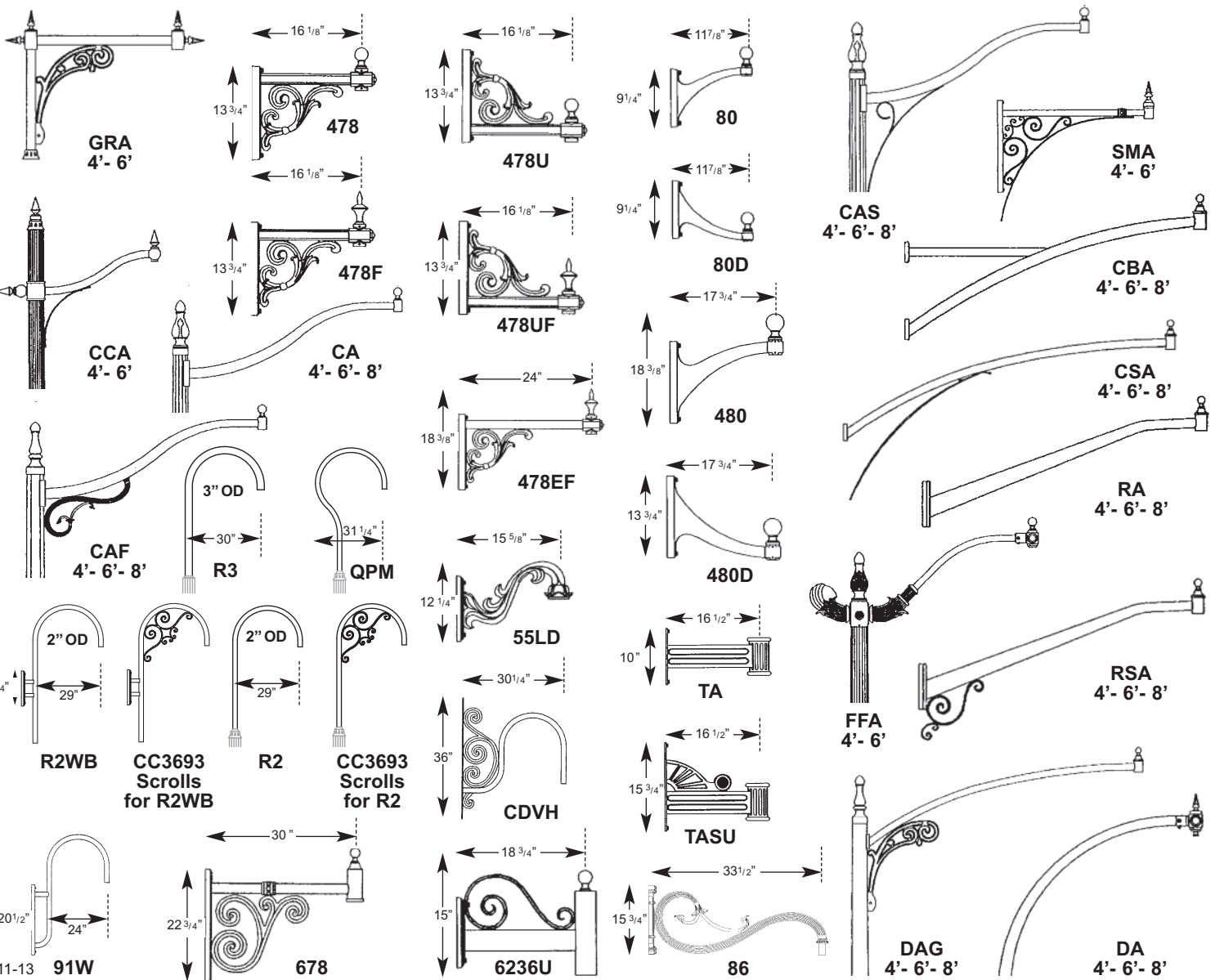
**SH44**  
Stem  
Hung

**CH44**  
Chain  
Hung

SPECIFY  
OVERALL  
DROP IN  
INCHES

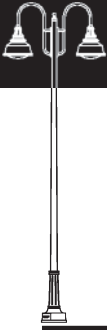
**ARMS - POST MOUNT (PM) or WALL BRACKETS (WB)**

See ARMS Section for more information



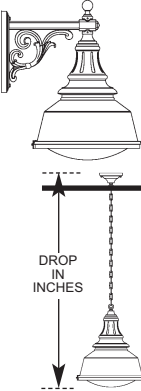
\* IDA Approved Dark-Sky Friendly®

# BUILDING A PART NUMBER



## POST & ARM FIXTURES

ARM MOUNTED FIXTURE	CENTER POST TOP FIXTURE (PT)	POST	POST CAP	LIGHT SOURCE BALLAST	OPTICS	OPTIONS	FINISH
NO. OF ARMS	FIXTURE / LENS / POSTARM	FIXTURE	(See Post Section)	WATTS / TYPE / VOLTS			
2	1940SG/91PM	PT	5814T5	100 HPS120	RO3	MHP100/MED	BK



## WALL FIXTURES

FIXTURE / LENS / WALL BRACKET	LIGHT SOURCE BALLAST	OPTICS	OPTIONS	FINISH
WATTS / TYPE / VOLTS				
1940SG/478WB	100 HPS120	RO3	HPS100/MED	BK

## HANGING FIXTURES

FIXTURE / LENS / HANGING BRACKET	OVERALL DROP IN INCHES	LIGHT SOURCE BALLAST	OPTICS	OPTIONS	FINISH
WATTS / TYPE / VOLTS		WATTS / TYPE / VOLTS			
1940SG/CH44	48 INCHES	100 HPS120	RO5	HPS100/MED	BK

## PART NUMBER SELECTIONS

### FIXTURES

- 1940<sup>2</sup>
- 1945

### LENSES

- FG
- FFG
- SG
- FSG

### OPTICS

- RO2<sup>4</sup>
- RO3<sup>4</sup>
- RO5<sup>4</sup>
- RO2<sup>7</sup>
- RO3<sup>7</sup>
- RO4<sup>7</sup>
- RO5<sup>7</sup>

### VOLTAGES

- 120
- 208
- 240
- 277
- 480
- MULTI (120-277)

### POST ARMS

- 80PM
- 80DPM
- 86PM
- 480PM
- 480DPM
- 478PM
- 478FPM
- 478UPM
- 478UFPM
- TAPT
- TASUPT
- 478EFPM
- 678PM
- 55LDPM
- 6236UPM
- CDVHPM
- 91WPM
- RPM
- R3PM
- QPM
- CSA4<sup>5</sup>
- CSA6<sup>5</sup>
- CSA8<sup>5</sup>
- CA4<sup>5</sup>
- CA6<sup>5</sup>

### POST ARMS

- CA8<sup>5</sup>
- CAS4<sup>5</sup>
- CAS6<sup>5</sup>
- CAS8<sup>5</sup>
- SMA4<sup>5</sup>
- SMA6<sup>5</sup>
- CCA4<sup>5</sup>
- CCA6<sup>5</sup>
- CAF4<sup>5</sup>
- CAF6<sup>5</sup>
- CBA4<sup>5</sup>
- CBA6<sup>5</sup>
- CBA8<sup>5</sup>
- RSA4<sup>5</sup>
- RSA6<sup>5</sup>
- RSA8<sup>5</sup>
- FFA4<sup>5</sup>
- FFA6<sup>5</sup>
- RA4<sup>5</sup>
- RA6<sup>5</sup>
- RA8<sup>5</sup>
- DA4<sup>5</sup>
- DA6<sup>5</sup>
- DA8<sup>5</sup>
- DAG4<sup>5</sup>
- DAG6<sup>5</sup>

### WALL BRACKET ARMS

- 80WB
- 80DWB
- 86WB
- 480WB
- 480DWB
- 478WB
- 478FWB
- 478UWB
- 478UFWB
- TAWB
- TASUWB
- 478EFWB
- 678WB
- 55LDWB
- 6236UWB
- CDVHWB
- 91WWB
- R2WB

### HANGING BRACKETS

- CH44
- SH44

### BALLASTS<sup>3,6</sup>

- 35HPS<sup>1</sup>
- 50HPS
- 70HPS
- 100HPS
- 150HPS
- 250HPS
- 400HPS
- 50MHP
- 70MHP
- 100MHP
- 150MHP
- 200MHP
- 250MHP
- 320MHP
- 350MHP
- 400MHP<sup>7</sup>
- 26PLT
- 32PLT
- 42PLT
- 57PLT
- 70PLT
- INCAND

### LAMPS<sup>6</sup>

- HPS35/MED
- HPS50/MED
- HPS70/MED
- HPS100/MED
- HPS150/MED
- HPS250/MOG/ED18
- HPS400/MOG/ED18<sup>7</sup>
- MHP50/MED
- MHP70/MED
- MHP100/MED
- MHP150/MED
- MHP200/MOG/T15
- MHP250/MOG/ED28
- MHP320/MOG/ED28
- MHP350/MOG/ED28
- MHP400/MOG/ED28<sup>7</sup>
- PLT26
- PLT32
- PLT42
- PLT57
- PLT70

### STANDARD FINISHES\*

- BKT Black Textured
- WHT White Textured
- PGT Park Green Textured
- ABZT Architectural Medium Bronze Textured
- DBT Dark Bronze Textured

\*Smooth Finishes are available upon request

### CUSTOM FINISHES

- OI Old Iron
- RT Rust
- WBR Weathered Brown
- CD Cedar
- WBK Weathered Black
- TT Two Tone

### STERNBERG SELECT FINISHES

- VG Verde Green
- SI Swedish Iron
- OWGT Old World Gray Textured

### NOTES:

- <sup>1</sup> 35HPS is 120 volt only.
- <sup>2</sup> 175 watt maximum.
- <sup>3</sup> Medium base sockets standard with ballasts up to 150 watts HID Mogul base sockets are standard
- for 200 watts and over. 4-pin for PL.
- <sup>4</sup> Medium base socket only.
- <sup>5</sup> Add (S) Spike or (B) Ball after arm number to designate type of finial.
- <sup>6</sup> Metal halide systems are pulse start.
- <sup>7</sup> 1945 only.

### OPTIONS

- PEC1 Photocell-Bimetal 120 Volt
- PEC2 Photocell-Bimetal 208-277 Volt
- PEC1-E Photocell-Electronic 120 Volt
- PEC2-E Photocell-Electronic 208-277 Volt
- FHS Single Fuse and Holder-120,277 Volt
- FHD Dual Fuse and Holder-208,240,480 V
- QR Quartz Re-Strike
- PF Pineapple Finial or Font (TA, TASCOR)
- BF Ball Finial or Font (TA, TASCOR)
- CC3693 Scrolls for R2 or R3 Arm
- HS Hangstraight
- LAMPS Select from List

**LIST NO.  
1940/1945  
GLENVIEW  
SERIES****OPTICAL OPTIONS**

Distribution shall be delivered by NIGHTSKY® STAR-SHIELD® multi-segmented horizontal reflector systems, which eliminates uplight. The flat lens versions provides IES Full Cut-off. The reflector cavity shall be made of specular anodized aluminum. Roof Optics Type 2 (RO2), Type 3 (RO3) or Type 5 (RO5) horizontal is available for medium base lamps. Roof Optics Type 2 (RO2), Roof Optics Type 3 (RO3), Roof Optics Type 4 (RO4), and Roof Optics Type 5 (RO5) are available for mogul base lamps.

**QUARTZ RE-STRIKE**

The fixture can be supplied with an optional quartz re-strike system to retain constant fixture light if the H.I.D. lamp fails. The fixture will be equipped with a 100 watt quartz lamp and a controller to run on a 120 volt circuit and must be used in conjunction with a 120 volt or multi-tap ballast.

**PHOTOCELLS**

Photocells shall be either the thermo bi-metal button type or the electronic button type. On single post top fixtures the photocell shall be mounted in the fitter and pre-wired to ballast. On multiple head fixture assemblies photocells shall be mounted in the pole shaft on an access plate and are not pre-wired as ballast housing assemblies and fitters are packaged separately for ease of wiring to source. The thermo bi-metal photocell shall be designed to turn on at 1.0 footcandle and turn off at not more than 5 footcandles. The electronic button type photocell is instant on and a 5-10 second turn off and shall turn on at 1.5 footcandles with a turn-off at 2-3 footcandles. Photocells are either 120 volt or 208 thru 277 volt.

**ARMS**

All arms are made of cast aluminum and/or extruded aluminum. Arms with decorative filigree have meticulously detailed scroll work and gracefully curved brackets. The fixture shall be either welded to the arm or will be mechanically attached at the factory to ensure arms will be plumb, secure and level over the life of the installation. Each arm shall be bolted to a post mount adapter, which is welded to the pole to ensure proper alignment to the base. Arms are pre-wired for ease of installation.

**FINISH**

Prior to coating, each assembly shall be chemically cleaned and etched in a 5-stage washing system which includes alkaline cleaning, rinsing, phosphoric etching, reverse osmosis water rinsing and non-chrome sealing to ensure corrosion resistance and excellent adhesion for the finish coating. The finish coating shall be electrostatically applied semi-gloss, super durable polyester powder baked at 400 degrees for a durable and superior, color retentive finish. Our optional antique Verde Green finish and Swedish Iron finish are hand brushed using a 3-step process. The total assembly shall be wrapped in shockproof wrapping or fully enclosed in corrugated cartons.

**WARRANTY**

Five-year limited warranty. See product and finish warranty guide for details.

