



1921 GALESBURG SERIES

HID

CLICK FOR FAQ'S

EPA 0.82 (ft²)
WEIGHT 43 LBS

5 YEAR WARRANTY

MAXIMUM WATTAGE 400W

UL LISTED

IDA APPROVED

JOB NAME _____

FIXTURE TYPE _____

MEMO _____

BUILD A PART NUMBER

ORDERING EXAMPLE: **2A-1921-400HPS120-MED-RO5-FG-FHS/CAS6/6424SRTF/BKT**

Mounting Config.	Fixture	Ballast	Volts	Socket	Optic	Lens	Option Photocontrol	Option Fuse	Quartz Re-Strike	Hang-straight	Lamps <small>See Lamp Spec Sheet</small>	Arm <small>See Arm Spec Sheets</small>	Pole <small>See Pole Spec Sheets</small>	Finish

Mounting Configuration¹

(Click here to link to mounting configuration specification page)

- 1W • 3A • 4A • CH28
- 1A • 3A90 • 1AM
- 2A • 3A120 • 2AM
- 2A90 • 3A120 • SH28

W = Wall Mount A = Arm Mount AM = Arm Mid-Mount
PB = Pier Base SH = Stem Hung CH = Chain Hung

¹ See Mounting Configuration Sheet

Fixture

- 1921

Ballast^{2,4}

- 35LPS • 250HPS • 250MHP
- 50HPS¹ • 400HPS • 250MHP
- 70HPS • 50MHP • 320MHP
- 100HPS • 70MHP • 350MHP
- 150HPS • 100MHP • 400MH
- 200HPS • 200MHP

² Medium base sockets standard with ballasts up to 150 watts
HID. Mogul base sockets are standard for 200 watts and over. 4-pin for PL.

⁴ Metal halide systems are pulse start.
¹ 35HPS is 120 volt only.

Volts

- 120 • 208 • 240 • 277 • 480

Socket

- MED • MOG

Optics

- RO2 • RO3 • RO5

Lens

- FG (Flat Glass) • SG (Sag Glass)

Options (Click here to view hangstraight sheet)

- PEC Electronic Photocontrol 120-277 Volt
- FHS Single Fuse & Holder - 120, 277 Volt
- FHD Dual Fuse & Holder - 208, 240, 480 Volt
- QR Quartz Re-Strike
- HS-HS Standard horizontal hangstraight, spike finial

- HS-HN Standard horizontal hangstraight, no finial
- HS-HB Standard horizontal hangstraight, ball finial
- HS-CB Clamp style horizontal hangstraight, ball finial
- HS-CS Clamp style horizontal hangstraight, spike finial
- HS-CN Clamp style horizontal hangstraight, no finial
- EZ Vertical hangstraight, large, "EZ" mount
- HS-V Vertical hangstraight, standard
- LAMPS See Lamp Specification Sheet

Arm (Click here to link to arm specification page)

See Arms & Wall Brackets specification sheets.

- TA • Q • SMA • RSA • DAG
- TASUR • CSA • CCA • FFA
- 678 • CA • CAF • RA
- R3 • CAS • CBA • DA

Pole (Click here to link to pole specification page)

See Pole specification sheets.

Finish

Standard Finishes⁵

- BKT Black Textured
- WHT White Textured
- PGT Park Green Textured
- ABZT Architectural Medium Bronze Textured
- DBT Dark Bronze Textured

⁵ Smooth finishes are available upon request

Custom Finishes⁶

- OI Old Iron
- RT Rust
- WBR Weathered Brown
- CD Cedar
- WBK Weathered Black
- TT Two Tone

⁶ Custom colors require upcharge.

Sternberg Select Finishes

- VG Verde Green
- SI Swedish Iron
- OWGT Old World Gray Textured

Specifications

Ballast Housing

The ballast housing shall be heavy wall cast aluminum, 356 alloy for high tensile strength. It shall be hinged to the fitter for ease of ballast accessibility and secured by one screw. All components of the ballast assembly will be mounted on a 1/4" cast aluminum "twist lock" plate and quick disconnect for convenient ballast access.

Electrical

The fixture shall be U.L. or E.T.L. listed in U.S. and Canada. H.I.D. ballasts shall be high power factor with lamp starting down to -30 degrees C. Medium base and mogul base porcelain sockets are 4kV rated. The ballast shall be pre-wired with a quick disconnect. The fitter will incorporate a three pole terminal block accepting #18 ga. thru #8 ga. wire. An aluminum cover plate shall close off the terminal block area isolating the quick disconnect. They shall have a 4-pin socket to accept quad or triple tube lamps. Ballasts shall be DOE EISA compliant.

Optical Options

NIGHTSKY® STAR-SHIELD® Roof Optics distribution shall be delivered by multi-segmented roof mounted reflector systems which eliminate uplight and provide full cut-off. The reflector cavity shall be made of specular anodized aluminum. Vertical lamp type optics provide cut-off performance. Roof Optics Type 2 (RO2), Type 3 (RO3), Type 5 (RO5) horizontal are available for medium base lamps.

Photocontrols

Photocontrols shall be electronic button type. On single post top fixtures the photocontrol shall be mounted in the fitter and pre-wired to ballast. On multiple head fixture assembly's photocontrol shall be mounted in the pole shaft on an access plate and are not pre-wired

See next page

as ballast housing assemblies and fitters are packaged separately for ease of wiring to source. The electronic button type photocontrol is instant on with a 5-10 second turn off, and shall turn on at 1.5 footcandles with a turn-off at 2-3 footcandles. Photocontrol are 120-277 volt.

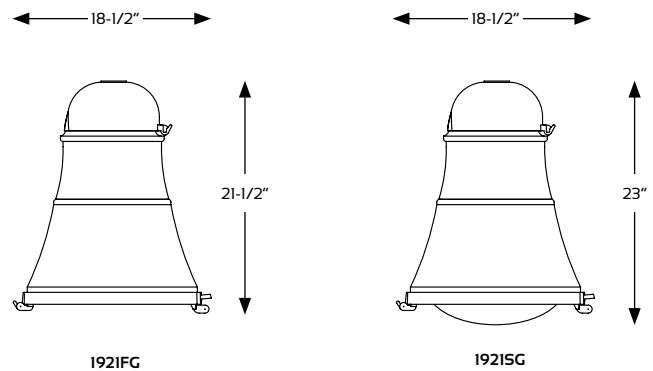
Warranty

Five-year limited warranty. See product and finish warranty guide for details.

Finish

Refer to website for details.

Fixtures



Optical Systems



RO
Roof Optics
Horizontal
Type 2, 3, 4 or 5