



# 1843LED CARSON CITY SERIES

LED

CLICK FOR FAQ'S



EPA 3.77 (ft<sup>2</sup>)  
WEIGHT 55 LBS

LUMEN RANGE 2130 to 12500

LIFE SPAN L70 UP TO 100,000 HOURS

7 YEAR WARRANTY



JOB NAME \_\_\_\_\_

FIXTURE TYPE \_\_\_\_\_

MEMO \_\_\_\_\_

## BUILD A PART NUMBER

ORDERING EXAMPLE: **2A-1843LED-4ARC45T5-MDH03-CSA-PEC-FHD/480PM/3610FP4/BKT**

Mounting Config.	Fixture	LED	CCT	Type	Driver	Lens	Option Photocontrol	Option Fuse	Option Chimney	Arm <small>See Arm Spec Sheets</small>	Pole <small>See Pole Spec Sheets</small>	Finish

### Mounting Configuration

[\(Click here to link to mounting configuration specification page\)](#)

- 1W      • 2A90      • 4A      • SH44
- PT      • 2APT      • 4APT      • CH44
- 1A      • 3A      • 1AM
- 1APT      • 3A90      • 2AM
- 2A      • 3APT      • 45OPB

W = Wall Mount   PT = Post Top   APT = Post Top Arm Mid-Mount  
A = Arm Mount   AM = Arm Mid-Mount   PB = Pier Base   SH = Stem Hung   CH = Chain Hung

### Fixture

- 1843LED      • 1843LEDTF      • 1843LEDBE

### LED

- 10AIR    • 6AIR    • 6ARC    • 4ARC    • 3ARC

### CCT - Color Temperature (K)

- 27(00)      • 35(00)      • 45(00)

### Type

- T2      • T3      • T3R      • T4      • T5

### Driver

- MDL03 (120v-277v, 350Ma)
- MDH03 (347v-480v, 350Ma)

### Lens [\(Click here to link to lens specification page\)](#)

- SV1 (Flat Medium Diffuse Acrylic Lens)
- SV2 (Flat Heavy Diffuse Acrylic Lens)
- CTA (Clear Textured Acrylic)
- CSA (Clear Seeded Acrylic)
- FA (Frosted Acrylic)
- PA (Prismatic Acrylic)
- ATA (Amber Textured Acrylic)

### Options

- PEC Photocell-Electronic 120-277 Volt
- PEC4 Photocell-Electronic (480v)
- FHD<sup>2</sup> Dual Fuse and Holder - 208, 240, 480 Volt
- FHC Frosted Chimney

<sup>2</sup> Ships loose for installation in base

### Arm [\(Click here to link to arm specification page\)](#)

See Arms & Wall Brackets specification sheets.

- 4784    • 62C    • 579    • TASCRA    • BA
- 480    • 6236    • TA    • 779

### Pole [\(Click here to link to pole specification page\)](#)

See Pole specification sheets.

### Finish [\(Click here to view paint finish sheet\)](#)

#### Standard Finishes<sup>3</sup>

- BKT Black Textured
- WHT White Textured
- PGT Park Green Textured
- ABZT Architectural Medium Bronze Textured
- DBT Dark Bronze Textured

<sup>3</sup> Smooth finishes are available upon request.

#### Custom Finishes<sup>4</sup>

- CM Custom Match
- OI Old Iron
- RT Rust
- WBR Weathered Brown
- CD Cedar
- WBK Weathered Black
- TT Two Tone

<sup>4</sup> Custom colors require upcharge.

#### Sternberg Select Finishes

- VG Verde Green
- SI Swedish Iron
- OWGT Old World Gray Textured

## Specifications

### Fixture

The 1843LED Carson City series measures 18-1/4" wide and 41-3/4" tall. The luminaire shall be made of heavy wall cast aluminum alloy. The luminaire shall be provided with a cast aluminum hinged roof with optimized heat sinks to provide maximum life and performance for the LED light sources. The luminaire shall be UL listed in US and Canada.

### Fitter - Standard

The fitter or base shall be heavy wall cast aluminum, alloy for high tensile strength. The fitter shall have an inside diameter opening to accept a 3" OD x 3" tall pole or tenon.

### LED's

The luminaire shall use high output, high brightness LED's. They shall be mounted in arrays, on printed circuit boards designed to maximize heat transfer to the heat sink surface. The arrays shall be roof mounted to minimize up-light. The LED's and printed circuit boards shall be environmentally friendly and 100% recyclable, they shall also be protected from moisture and corrosion by a conformal coating of 1 to 3 mils. They shall not contain lead, mercury or any other hazardous substances and shall be RoHS compliant. The LED life rating data shall be determined in accordance with IESNA LM-80. They shall operate in a -40°C (-40°F) to +50°C (122°F) ambient air temperature range. The High Performance white LED's will have a life expectancy of approximately 70,000 hours with not less than 70% of original brightness (lumen maintenance), rated at 25°C. The High Brightness, High Output LED's shall be 4500K (3500K or 2700K option) color temperature with a minimum CRI of 70. The luminaire shall have a minimum \_\_\_\_\_ (see table) delivered initial lumen rating when operated at steady state with an average ambient temperature of 25°C (77°F).

### Optics

The luminaire shall be provided with individual, refractor type optics applied to each LED. The luminaire shall provide Type \_\_\_\_ (2, 3, 3R, 4 or 5) light distribution per the IESNA classifications. Testing shall be done in accordance with IESNA LM-79.

See next page

# 1843LED CARSON CITY SERIES

LED

## Electronic Driver

The LED driver shall be U.L. Recognized. It shall be securely mounted inside the fixture, for optimized performance and longevity. It shall be supplied with a quick-disconnect electrical connector on the power supply, providing easy power connections and fixture installation. It shall have overload as well as short circuit protection, and have a DC voltage output, constant current design, 50/60HZ. It shall be supplied with line-ground, line-neutral and neutral-ground electrical surge protection in accordance with IEEE/ANSI C62.41.2 guidelines. It shall be dimmable using a 0-10v signal.

## Photocontrols

**Button Style:** On single post top fixtures the photocontrol shall be mounted in the fitter and pre-wired to ballast. On multiple head fixture assembly's photocontrol shall be mounted in the pole shaft on an access plate and are not pre-wired as ballast housing assemblies and fitters are packaged separately for ease of wiring to source. The electronic button type photocontrol is instant on with a 5-10 second turn off, and shall turn on at 1.5 footcandles with a turn-off at 2-3 footcandles. Photocontrol is 120-277 volt and warranted for 6 years.

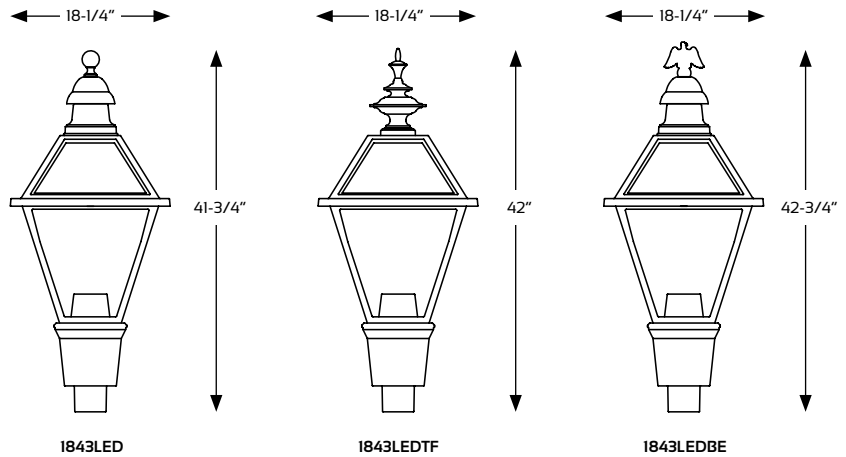
## Warranty

Seven-year limited warranty. See product and finish warranty guide for details.

## Finish

Refer to website for details.

## Fixture Examples



## Options



FHC  
Frosted  
Chimney

## Performance

MODEL #	T2 DELIVERED LUMENS	EFFICACY (LPW)	T3 DELIVERED LUMENS	EFFICACY (LPW)	T3R DELIVERED LUMENS	EFFICACY (LPW)	T4 DELIVERED LUMENS	EFFICACY (LPW)	T5 DELIVERED LUMENS	EFFICACY (LPW)	WATTS
10A1R27-MD_03	12220	67.9	11670	64.8	12025	66.8	12015	66.7	12110	67.3	180
10A1R35-MD_03	13470	74.8	12865	71.5	13260	73.7	13250	73.6	13350	74.2	180
10A1R45-MD_03	15665	87.0	14960	83.1	15420	85.7	15405	85.6	15525	86.25	180
6A1R27-MD_03	8030	66.9	7615	63.5	7895	65.8	7955	66.3	7890	65.7	120
6A1R35-MD_03	8855	73.8	8395	70.0	8705	72.5	8770	73.1	8700	72.5	120
6A1R45-MD_03	10295	85.8	9765	81.4	10120	84.3	10200	85.0	10115	84.3	120
6ARC27-MD_03	5935	63.8	5620	60.4	5810	62.5	5925	63.7	5850	62.9	93
6ARC35-MD_03	6540	70.3	6195	66.6	6405	68.9	6530	70.2	6450	69.4	93
6ARC45-MD_03	7605	81.8	7205	77.5	7445	80.1	7595	81.7	7500	80.6	93
4ARC27-MD_03	4385	68.5	4270	66.7	4345	67.9	4325	67.6	4425	69.1	64
4ARC35-MD_03	4835	75.5	4710	73.6	4790	74.8	4765	74.5	4880	76.3	64
4ARC45-MD_03	5620	87.8	5475	85.5	5570	87.0	5540	86.6	5675	88.7	64
3ARC27-MD_03	3005	58.9	2855	56.0	2905	57.0	2960	58.0	2975	58.3	51
3ARC35-MD_03	3315	65.0	3145	61.7	3205	62.8	3260	63.9	3280	64.3	51
3ARC45-MD_03	3850	75.5	3660	71.8	3725	73.0	3790	74.3	3810	74.7	51