



# 1760 CHATEAU SERIES

**HID**

EPA  
1.25 (ft<sup>2</sup>)  
WEIGHT  
20 LBS

5 YEAR  
WARRANTY

UL  
LISTED

CLICK  
FOR FAQ'S

JOB NAME \_\_\_\_\_

FIXTURE TYPE \_\_\_\_\_

MEMO \_\_\_\_\_

## BUILD A PART NUMBER

ORDERING EXAMPLE: **2A-1760-R3-150MHP120-MED-RE5-A-PEC/OMPT/3318P5/BKT**

Mounting Config.	Fixture	Fitter	Ballast	Volts	Socket	Optic	Lens	Option Photocell	Option Fuse	Option Chimney	Option House Side Shield	Option Lamps <small>See Lamp Spec Sheet</small>	Arm <small>See Arm Spec Sheets</small>	Pole <small>See Pole Spec Sheets</small>	Finish

### Mounting Configuration

[\(Click here to view mounting configuration sheet\)](#)

- 1W            • 2A            • 3A90        • 1AM
- PT           • 2A90        • 3APT        • 2AM
- 1A           • 2APT        • 4A           • 550PB
- 1APT        • 3A           • 4APT

W = Wall Mount PT = Post Top A = Arm Mount AM = Arm Mid-Mount PB = Pier Base

### Fixture

- 1760

### Fitter

- R3            • R4            • R5

### Ballast<sup>1,2</sup>

- 35HPS<sup>3</sup>    • 100HPS    • 50MHP    • 150MHP
- 50HPS    • 150HPS    • 70MHP    • 200MHP
- 70HPS    • 250HPS    • 100MHP   • 250MHP

<sup>1</sup> Metal halide systems are pulse start.

<sup>2</sup> Medium base sockets standard with ballasts up to 150 watts. Mogul base sockets are standard with ballasts 200 watts and over.

<sup>3</sup> 35HPS is 120 volt only.

### Volts

- 120    • 208    • 240    • 277    • 347    • 480

### Socket

- MED            • MOG

### Optic

- NONE    • RE3    • RE5    • L03    • L05

### Lens

- A (Acrylic)
- FA (Frosted Acrylic)

### Options [\(Click here to view accessories sheet\)](#)

- PEC Electronic Button Photocontrol (120v-277v)
- PEC4 Electronic Button Photocontrol (480v)
- FHS<sup>4</sup> Single Fuse and Holder (120v & 277v)
- FHD<sup>4</sup> Double Fuse and Holder (208v, 240v & 480v)
- FMC<sup>5</sup> Frosted Mission Chimney
- HSS 120° House Side Shield
- LAMPS See Lamp Specification Sheet

<sup>4</sup> Ships loose for installation in base.

<sup>5</sup> Not for use with additional optic or MOG socket.

### Arm [\(Click here to view arm website page\)](#)

See Arms & Wall Brackets specification sheets.

- OM    • HM    • OL    • VC    • VL    • VF

### Pole [\(Click here to view pole website page\)](#)

See Pole specification sheets.

### Finish

#### Standard Urban Finishes

[\(Click here to view paint finish sheet\)](#)

- UGMT Gun Metal Textured
- UGM Gun Metal Matte
- UBT Urban Bronze Textured
- UB Urban Bronze Matte
- ULBT Urban Light Bronze Textured
- ULB Urban Light Bronze Matte
- USLT Urban Silver Textured
- USL Urban Silver Matte
- UWHT Urban White Textured
- UWH Urban White Matte
- UCHS Urban Champagne Satin Smooth
- BKT Black Textured

#### Custom Urban Finish<sup>6</sup>

- CM Custom Match

<sup>6</sup> Custom colors require upcharge.

## Specifications

### Fixture

The Chateau series luminaire is a large scale, dramatic design fixture featuring a tall cylindrical body made up of a cast aluminum roof, fitter and decorative rings, a spun aluminum shade and a round acrylic lens. The hinged roof includes tool-less access to lamp compartment, and the ballast housing includes tool-less access to the ballast, for ease of maintenance. The Luminaire shall be UL listed in US and Canada.

### Fitter

The fixture shall be provided with a heavy wall cast aluminum fitter that can accept a 3" OD (R3), 4" OD (R4) or 5" OD (R5) pole or 3" tall tenon. The end of the fitter shall have four (4) stainless steel allen head screws which secures the connection between the fitter and tenon.

### Electrical

HID ballasts shall be high power factor with lamp starting down to -30 degrees C. Medium base and mogul base porcelain sockets are 4KV rated. The ballast/socket assembly shall be pre-wired when ballast is located in the fitter. Ballasts shall be DOE EISA compliant.

### Optical Options

**Refractors** shall be borosilicate glass with an IES type 3 or 5 distribution, using a vertically mounted lamp. It shall be secured to the socket/stem with 3/8" plated steel threaded pipe nipple and rest on a cast aluminum holder with anti-shock gasket. The refractor will be secured to cast holder with a quarter-turn internal aluminum twist ring for ease of maintenance.

**NIGHTSKY® OPTI-SHIELD® Louver Reflector System** shall be a multi-tier reflector with 7" diameter rings to produce an IES cut-off type 3 or 5 distribution. The Louver optic System shall be made of highly specular anodized aluminum and shall come standard with medium base socket.

**House Side Shield** shall be an additional optic used to block 120° of light in any one direction.

**Frosted Mission Chimney** shall be a frosted glass element which adds an authentic touch. It can be used to house a lamp with a medium base socket.

### Photocontrols

**Button Style:** On single post top fixtures the photocontrol shall be mounted in the fitter and pre-wired to ballast. On multiple head fixture assembly's photocontrol shall be mounted in the pole shaft on an access plate and are not pre-wired as ballast housing assemblies and fitters are packaged separately for ease of wiring to source. The electronic button type photocontrol is instant on with a 5-10 second turn off, and shall turn on at 1.5 footcandles with a turn-off at 2-3 footcandles. Photocontrol is 120-277 volt and warranted for 6 years.

*See next page*

# 1760 CHATEAU SERIES

HID

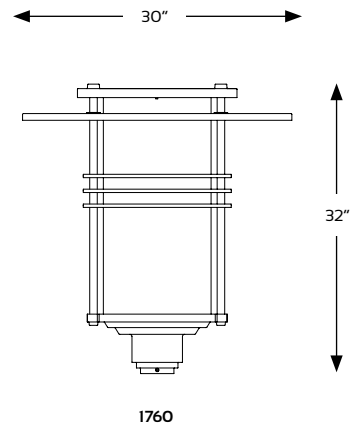
## Warranty

Five-year limited warranty. See product and finish warranty guide for details.

## Finish

Refer to website for details.

## Fixtures



## Fitters



R3"



R4"

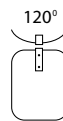


R5"

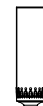
## Optical Systems



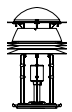
RE3  
RE5  
Refractor



120°  
HSS  
House Side  
Shield



FMC  
Frosted  
Mission  
Chimney



LO3  
LO5  
Louver Optics