



1760LED CHATEAU SERIES

LED

EPA
1.25 (ft²)
WEIGHT
60 LBS

7 YEAR
WARRANTY

LUMEN
RANGE
6,040 to
12,600

LIFE SPAN
L70
MINIMUM
100,000
HOURS

UL
LISTED

CLICK
FOR FAQ'S

JOB NAME _____

FIXTURE TYPE _____

MEMO _____

BUILD A PART NUMBER

ORDERING EXAMPLE: **PT-1760LED-DR-R3-1L40T5-MDL10-CA-R-PE/3212T4/BKT**

Mounting Config.	Fixture	Rings	Fitter	LED	CCT	Type	Driver	Lens	Option Receptacle Control	Option Photocontrol	Option Fuse	Option Hangstraight	Option House Side Shield	Arm See Arm Spec Sheets	Pole See Pole Spec Sheets	Finish

Mounting Configuration

(Click here to view mounting configuration sheet)

- IW • 2A • 3A90 • 1AM • CAT¹
- PT • 2A90 • 3APT • 2AM
- 1A • 2APT • 4A • 45OPB
- 1APT • 3A • 4APT • SH44^{1,2}

W = Wall Mount PT = Post Top A = Arm Mount AM = Arm Mid-Mount PB = Pier Base CAT = Catenary SH = Stem Hung

¹ For use with 1760LEDH only.

² Include Stem length in inches after designation (IE: SH44-36").

Fixture

- 1760LED • 1760LEDH

Rings

- DR (Decorative Rings) • RL (Ring-less)

Fitter³

- R3 • R4 • R5

³ Specify fitter for 1760LED only.

LED

- 1L

CCT - Color Temperature (K)

- 27(00) • 30(00) • 40(00) • 50(00)

Type

- T2 • T3 • T4 • T5

Driver

- MDL10 (120v-277v, 1000mA)
- MDL12 (120v-277v, 1200mA)
- MDL14 (120v-277v, 1400mA)
- MDL16 (120v-277v, 1600mA)
- MDH10 (347v-480v, 1000mA)
- MDH12 (347v-480v, 1200mA)
- MDH14 (347v-480v, 1400mA)
- MDH16 (347v-480v, 1600mA)

Lens

- CA (Clear Acrylic Lens)
- WA (White Acrylic Lens)
- SVID (Clear Acrylic exterior lens, Medium diffused internal dome lens)
- SV2D (Clear Acrylic exterior lens, Heavy diffused internal dome lens)

Options (Click here to view accessories sheet)

- R⁴ 3-Pin control receptacle only
- R⁵ 5-Pin control receptacle only
- R⁷ 7-Pin control receptacle only
- PE⁵ Twist-Lock Photocontrol (120v-277v)
- PE³ Twist-Lock Photocontrol (347v)
- PE⁴ Twist-Lock Photocontrol (480v)
- SC⁵ Shorting Cap
- PEC Electronic Button Photocontrol (120v-277v)
- PEC⁴ Electronic Button Photocontrol (480v)
- FHD⁶ Double Fuse and Holder
- HSHS⁷ Standard Horizontal Hangstraight, Spike Finial
- HSHN⁷ Standard Horizontal Hangstraight, No Finial
- HSHB⁷ Standard Horizontal Hangstraight, Ball Finial
- EZ⁷ Vertical Hangstraight, Large, "EZ" Mount
- HSV⁷ Vertical Hangstraight, Standard
- HSS 120° House Side Shield

⁴ Cannot be used with SH44, CAT, EZ or HSV

⁵ Requires control receptacle.

⁶ Ships loose for installation in base.

⁷ For use with 1740LEDH fixture only.

Arm (Click here to link to arm specification page)

See Arms & Wall Brackets specification sheets.

- OM • HM • OL
- VC • VF • VL

Pole (Click here to link to pole specification page)

See Pole specification sheets.

Finish (Click here to view paint finish sheet)

Standard Urban Finishes

- UGMT Gun Metal Textured
- UGM Gun Metal Matte
- UBT Urban Bronze Textured
- UB Urban Bronze Matte
- ULBT Urban Light Bronze Textured
- ULB Urban Light Bronze Matte
- USLT Urban Silver Textured
- USL Urban Silver Matte
- UWHT Urban White Textured
- UWH Urban White Matte
- UCHS Urban Champagne Satin Smooth
- BKT Black Textured

Custom Urban Finishes⁸

- CM Custom Match

⁸ Smooth finishes are available upon request.

Specifications

Fixture

The Chateau series luminaire is a large scale, dramatic design fixture featuring a tall, cylindrical body made up of a cast aluminum top, round lens and flat, aluminum shade. The Luminaire shall be UL listed in US and Canada.

Fitter - Standard

The fixture shall be provided with a heavy wall cast aluminum fitter that can accept a 3" OD (R3), 4" OD (R4) or 5" OD (R5) pole or 3" tall tenon. The end of the fitter shall have four (4) stainless steel allen head screws which secures the connection between the fitter and tenon.

LEDs

The luminaire shall use high output, high brightness LED's, consisting of a two piece assembly complete with Chip on Board (COB) LED component and COB holder frame. The LED's and printed circuit boards shall be 100% recyclable; they shall also be protected from moisture and corrosion by a conformal coating of 1 to 3 mils. They shall not contain lead, mercury or any other hazardous substances and shall be RoHS compliant. The LED life rating data shall be determined in accordance with IESNA LM-80. The High Performance white LED's will have a life expectancy of approximately 100,000 hours with not less than 70% of original brightness (lumen maintenance), rated at 25°C. The High Brightness, High Output LED's shall be 4000K (3000K or 5000K option) color temperature with a minimum of 70 CRI. Consult factory for custom color CCT. The luminaire shall have a minimum _____ (see table) delivered initial lumen rating when operated at steady state with an average ambient temperature of 25°C (77°F).

Optics

The luminaire shall be provided with individual, molded silicone refractor type optics applied to each COB (Chip On Board) LED assembly. The optic shall be at least 92% efficient while

See next page

1760LED CHATEAU SERIES

LED

providing superior thermal, UV and impact resistance for the COB assembly. The optic ensures precise light control while providing cutoff control that limits or contains up-light. The luminaire shall provide Type ____ (2, 3, 4 or 5) light distribution per the IESNA classifications. Testing shall be done in accordance with IESNA LM-79.

Electronic Drivers

The LED driver shall be U.L. Recognized. It shall be securely mounted inside the fixture, for optimized performance and longevity. It shall be supplied with a quick-disconnect electrical connector on the power supply, providing easy power connections and fixture installation. It shall have overload as well as short circuit protection, and have a DC voltage output, constant current design, 50/60HZ. It shall be supplied

with line-ground, line-neutral and neutral-ground electrical surge protection in accordance with IEEE/ANSI C62.41.2 guidelines. It shall be dimmable using a 0-10V signal.

For sources over 50w: The driver shall have a minimum efficiency of 90%. The driver shall be rated at full load with THD<20% and a power factor of greater than 0.90. The driver shall contain over-heat protection which reduces output to less than half rating if the case temperature reaches 85°C.

For sources under 50w: The driver shall have a minimum efficiency of 88%.

Photocontrols

Twist-Lock Style: The photocontrol shall be mounted externally on the fixture and pre-wired to driver. The twist lock type photocontrol is instant on with a 3-6 second turn off,

and shall turn on at 1.5 footcandles with a turn-off at 2-3 footcandles. Photocontrol is 120-277 volt and warranted for 6 years.

Button Style: the photocontrol shall be mounted in the "catenary box" or in the pole shaft on an access plate. The electronic button type photocontrol is instant on with a 5-10 second turn off, and shall turn on at 1.5 footcandles with a turn-off at 2-3 footcandles. Photocontrol is 120-277 volt and warranted for 6 years.

Warranty

Seven-year limited warranty. See product and finish warranty guide for details.

Finish

Refer to website for details.

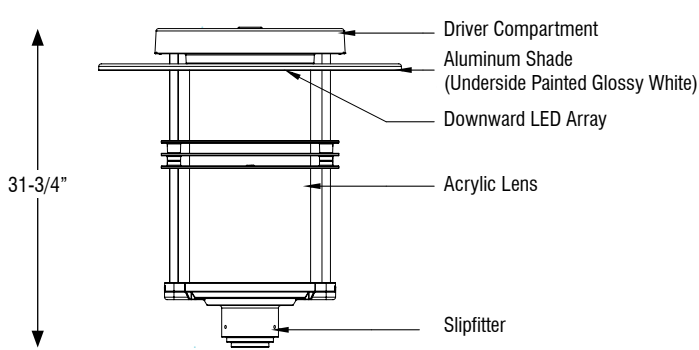
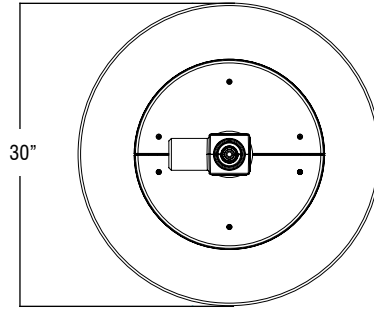
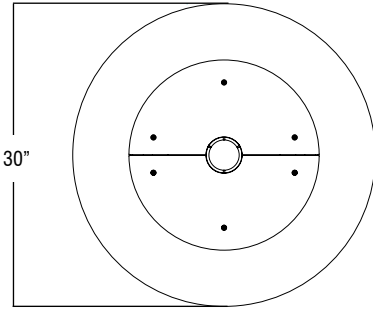
Performance 1760LED (Based on CA Lens)

MODEL #	T3 DELIVERED LUMENS	EFFICACY (LPW)	T4 DELIVERED LUMENS	EFFICACY (LPW)	T5 DELIVERED LUMENS	EFFICACY (LPW)	WATTAGE
1L27T_-MD_16	8875	93.4	8850	93.2	10130	106.6	95
1L30T_-MD_16	10010	105.4	9980	105.1	11425	120.3	95
1L40T_-MD_16	10320	108.6	10290	108.3	11775	123.9	95
1L27T_-MD_14	7820	95.4	7780	94.9	8820	107.6	82
1L30T_-MD_14	8820	107.6	8780	107.1	9950	121.3	82
1L40T_-MD_14	9095	110.9	9050	110.4	10255	125.1	82
1L27T_-MD_12	6870	96.8	6830	96.2	77445	109.1	71
1L30T_-MD_12	7745	109.1	7705	108.5	8735	123.0	71
1L40T_-MD_12	7985	112.5	7940	111.8	9005	126.8	71
1L427T_-MD_10	6050	97.6	6040	97.4	6895	111.2	62
1L30T_-MD_10	6820	110.0	6810	109.8	7775	125.4	62
1L40T_-MD_10	7030	113.4	7025	113.3	8015	129.3	62

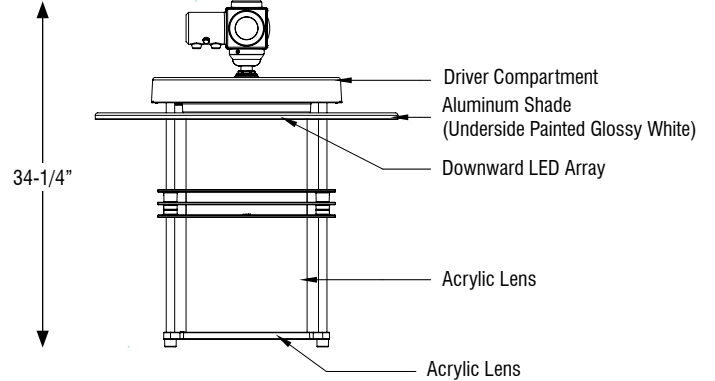
Performance 1760LEDH (Based on CA Lens)

MODEL #	T3 DELIVERED LUMENS	EFFICACY (LPW)	T4 DELIVERED LUMENS	EFFICACY (LPW)	T5 DELIVERED LUMENS	EFFICACY (LPW)	WATTAGE
1L27T_-MD_16	9905	104.3	10060	105.9	10835	114.1	95
1L30T_-MD_16	11175	117.6	11345	119.4	12220	128.6	95
1L40T_-MD_16	11520	121.3	11695	123.1	12600	132.6	95
1L27T_-MD_14	8710	106.2	8855	108.0	9415	114.8	82
1L30T_-MD_14	9825	119.8	9990	121.8	10620	129.5	82
1L40T_-MD_14	10130	123.5	10295	125.5	10950	133.5	82
1L27T_-MD_12	7645	107.7	7770	109.4	8225	115.8	71
1L30T_-MD_12	8620	121.4	8765	123.5	9275	130.6	71
1L40T_-MD_12	8890	125.2	9035	127.3	9565	134.7	71
1L427T_-MD_10	6750	108.9	6865	110.7	7365	118.8	62
1L30T_-MD_10	7610	122.7	7745	124.9	8305	134.0	62
1L40T_-MD_10	7845	126.5	7985	128.8	8565	138.1	62

Fixtures

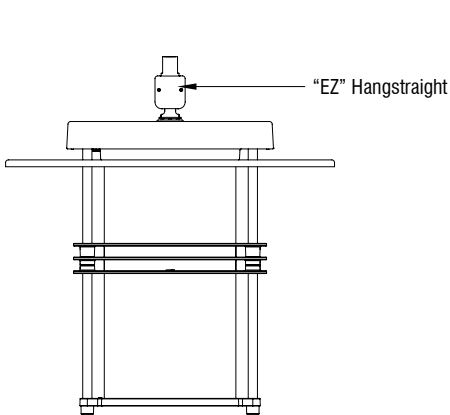


1760LED

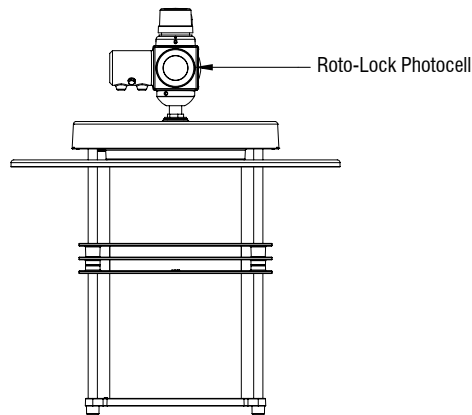


1760LEDH

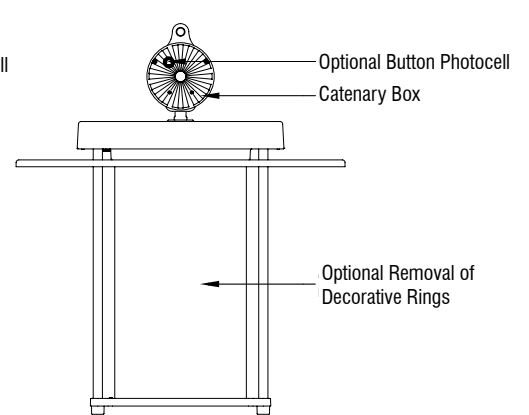
Other Options



EZ



HSHN-R-PE



CAT & RL