



# 1740LED CHATEAU SERIES

LED

EPA  
.75 (ft<sup>2</sup>)  
WEIGHT  
28 LBS

7 YEAR  
WARRANTY

LUMEN  
RANGE  
2,480 to  
4,790

LIFE SPAN  
L70  
MINIMUM  
100,000  
HOURS

UL  
LISTED

CLICK  
FOR FAQ'S

IP  
RATING  
IP 66

JOB NAME

FIXTURE TYPE

MEMO

## BUILD A PART NUMBER

ORDERING EXAMPLE: **PT-1740LED-R3-IRND45T5-MDL05-CA-R-PE/3212T4/BKT**

Mounting Config.	Fixture	Fitter	LED	CCT	Type	Driver	Lens	Option Decorative Rings	Option Receptacle Control	Option Photocontrol	Option Fuse	Option Hangstraight	Option House Side Shield	Arm See Arm Spec Sheets	Pole See Pole Spec Sheets	Finish

### Mounting Configuration

(Click here to view mounting configuration sheet)

- IW • 2A • 3A90 • 1AM • CAT<sup>1</sup>
- PT • 2A90 • 3APT • 2AM
- 1A • 2APT • 4A • 450PB
- 1APT • 3A • 4APT • SH44<sup>1,2</sup>

W = Wall Mount PT = Post Top APT = Post Top Arm Mid-Mount A = Arm Mount AM = Arm Mid-Mount PB = Pier Base SH = Stem Hung CAT = Catenary

<sup>1</sup> For use with 1740LEDH only.

<sup>2</sup> Include Stem/Chain length in inches after designation (IE: CH44-36").

### Fixture

- 1740LED • 1740LEDH

### Fitter<sup>3</sup>

- R3 • R4 • R5

<sup>3</sup> Specify fitter for 1740LED only.

### LED

- IRND

### CCT - Color Temperature (K)

- 45(00) • 35(00) • 27(00)

### Type

- T2 • T3 • T3R • T4 • T5

### Driver

- MDL03 (120v-277v, 350Ma)
- MDL05 (120v-277v, 525Ma)
- MDH03 (347v-480v, 350Ma)
- MDH05 (347v-480v, 525Ma)

### Lens

- CA (Clear Acrylic Lens)
- WA (White Acrylic Lens)
- CSVI (Clear Acrylic exterior lens, Medium diffused internal flat lens.)

### Options (Click here to view accessories sheet)

- DR Decorative Rings
- R<sup>4</sup> 3-Pin control receptacle only
- R<sup>5</sup> 5-Pin control receptacle only
- R<sup>7</sup> 7-Pin control receptacle only
- PE<sup>5</sup> Twist-Lock Photocontrol (120v-277v)
- PE<sup>3</sup> Twist-Lock Photocontrol (347v)

- PE4<sup>5</sup> Twist-Lock Photocontrol (480v)
- SC<sup>5</sup> Shorting Cap
- FHD<sup>6</sup> Double Fuse and Holder
- HS<sup>5</sup> Standard Horizontal Hangstraight, Spike Finial
- HSHN<sup>7</sup> Standard Horizontal Hangstraight, No Finial
- HSHB<sup>7</sup> Standard Horizontal Hangstraight, Ball Finial
- EZ<sup>7</sup> Vertical Hangstraight, Large, "EZ" Mount
- HSV<sup>7</sup> Vertical Hangstraight, Standard
- HSS 120° House Side Shield

<sup>4</sup> Cannot be used with SH44, CAT, EZ or HSV

<sup>5</sup> Requires control receptacle.

<sup>6</sup> Ships loose for installation in base.

<sup>7</sup> For use with 1740LEDH fixture only.

### Arm (Click here to link to arm specification page)

See Arms & Wall Brackets specification sheets.

- OMS • HMS • OLS
- VCS • VFS • VLS

### Pole (Click here to link to pole specification page)

See Pole specification sheets.

### Finish

#### Standard Urban Finishes (Click here to view paint finish sheet)

- UGMT Gun Metal Textured
- UGM Gun Metal Matte
- UBT Urban Bronze Textured
- UB Urban Bronze Matte
- ULBT Urban Light Bronze Textured
- ULB Urban Light Bronze Matte
- USLT Urban Silver Textured
- USL Urban Silver Matte
- UWHT Urban White Textured
- UWH Urban White Matte
- UCHS Urban Champagne Satin Smooth
- BKT Black Textured

#### Custom Urban Finishes<sup>8</sup>

- CM Custom Match

<sup>8</sup> Smooth finishes are available upon request.

## Specifications

### Fixture

The Chateau series luminaire is a small scale, dramatic design fixture featuring a tall, cylindrical body made up of a cast aluminum top, round lens and spun aluminum shade. The 1740LED measures 20" wide and the overall height is 24".

### Fitter - Standard

The fixture shall be provided with a heavy wall cast aluminum fitter that can accept a 3" OD (R3), 4" OD (R4) or 5" OD (R5) pole or 3" tall tenon. The end of the fitter shall have four (4) stainless steel allen head screws which secures the connection between the fitter and tenon.

### LEDs

The luminaire shall use high output, high brightness LED's. They shall be mounted in arrays, on printed circuit boards designed to maximize heat transfer to the heat sink surface. The arrays shall be downward facing to minimize up-light. The LED's and printed circuit boards shall be 100% recyclable, they shall also be protected from moisture and corrosion by a conformal coating of 1 to 3 mils. They shall not contain lead, mercury or any other hazardous substances and shall be RoHS compliant. The LED life rating data shall be determined in accordance with IESNA LM-80. They shall operate in a -40°C (-40°F) to +50°C (122°F) ambient air temperature range. The High Performance white LED's will have a life expectancy of approximately 100,000 hours with not less than 70% of original brightness (lumen maintenance), rated at 25°C. The High Brightness, High Output LED's shall be 4500K (3500K or 2700K option) color temperature with a minimum CRI of 70. Consult factory for custom color CCT. The luminaire shall have a minimum \_\_\_\_\_ (see table) delivered initial lumen rating when operated at steady state with an average ambient temperature of 25°C (77°F).

See next page

# 1740LED CHATEAU SERIES

LED

## Optics

The luminaire shall be provided with individual, refractor type optics applied to each LED. The luminaire shall provide Type \_\_\_\_ (2, 3, 3R, 4 or 5) light distribution per the IESNA classifications. Testing shall be done in accordance with IESNA LM-79.

## Electronic Drivers

The LED driver shall be U.L. Recognized. It shall be securely mounted inside the fixture, for optimized performance and longevity. It shall be supplied with a quick-disconnect electrical connector on the power supply, providing easy power connections and fixture installation.

It shall have overload as well as short circuit protection, and have a DC voltage output, constant current design, 50/60HZ. It shall be supplied with line-ground, line-neutral and neutral-ground electrical surge protection in accordance with IEEE/ANSI C62.41.2 guidelines. It shall be dimmable using a 0-10V signal. The driver shall have a minimum efficiency of 88%.

## Photocontrols

**Twist-Lock Style:** The photocontrol shall be mounted externally on the body of the fixture and pre-wired to ballast. The twist lock type photocontrol is instant on with a 3-6 second turn off, and shall turn on at 1.5 footcandles with a turn-off at 2-3 footcandles. Photocontrol is 120-277 volt and warranted for 6 years.

## Warranty

Seven-year limited warranty. See product and finish warranty guide for details.

## Finish

Refer to website for details.

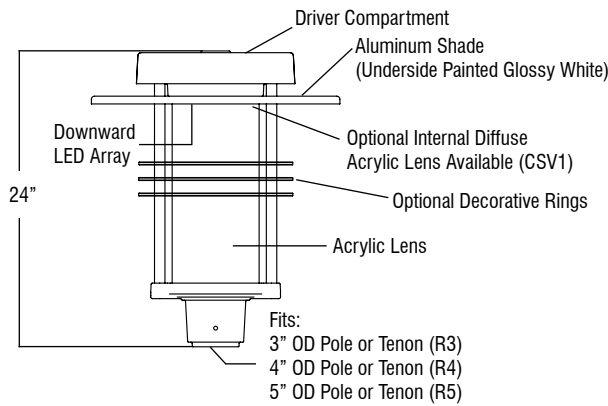
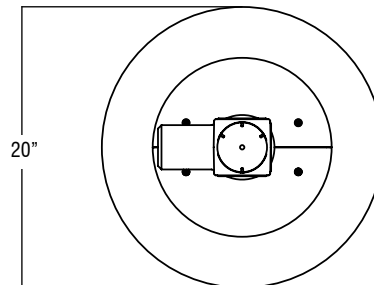
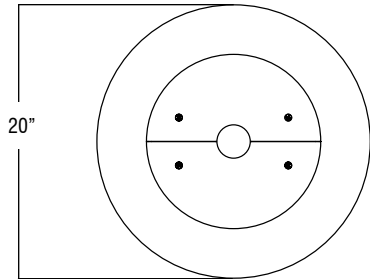
## Performance 1740LED (Based on CA Lens)

MODEL #	T2 DELIVERED LUMENS	EFFICACY (LPW)	T3 DELIVERED LUMENS	EFFICACY (LPW)	T3R DELIVERED LUMENS	EFFICACY (LPW)	T4 DELIVERED LUMENS	EFFICACY (LPW)	T5 DELIVERED LUMENS	EFFICACY (LPW)	WATTAGE
1RND27T_-MD_05	3540	73.8	3495	72.9	3550	74.0	3565	74.3	3735	77.9	48
1RND35T_-MD_05	4040	84.3	3990	83.2	4055	84.5	4065	84.8	4260	88.8	48
1RND45T_-MD_05	4540	94.7	4485	93.5	4555	94.9	4570	95.3	4790	99.8	48
1RND27T_-MD_03	2480	80.1	2455	79.3	2515	81.2	2525	81.5	2640	85.2	31
1RND35T_-MD_03	2835	91.4	2805	90.5	2870	92.7	2880	93.0	3015	97.3	31
1RND45T_-MD_03	3185	102.7	3150	101.7	3225	104.2	3235	104.5	3385	109.3	31

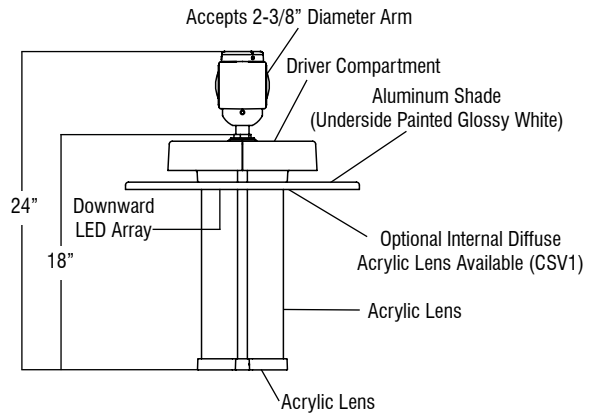
## Performance 1740LEDH (Based on CA Lens)

MODEL #	T2 DELIVERED LUMENS	EFFICACY (LPW)	T3 DELIVERED LUMENS	EFFICACY (LPW)	T3R DELIVERED LUMENS	EFFICACY (LPW)	T4 DELIVERED LUMENS	EFFICACY (LPW)	T5 DELIVERED LUMENS	EFFICACY (LPW)	WATTAGE
1RND27T_-MD_05	3685	76.8	3645	76.0	3680	76.7	3680	76.7	3855	80.4	48
1RND35T_-MD_05	4205	87.7	4160	86.7	4195	87.5	4195	87.5	4400	91.7	48
1RND45T_-MD_05	4725	98.5	4675	97.4	4715	98.3	4715	98.3	4945	103.0	48
1RND27T_-MD_03	2585	83.4	2570	83.0	2600	83.9	2595	83.7	2710	87.5	31
1RND35T_-MD_03	2950	95.2	2930	94.7	2965	95.8	2960	95.5	3095	99.9	31
1RND45T_-MD_03	3315	107.0	3295	106.4	3335	107.6	3325	107.4	3475	112.2	31

## Product Dimensions and Features

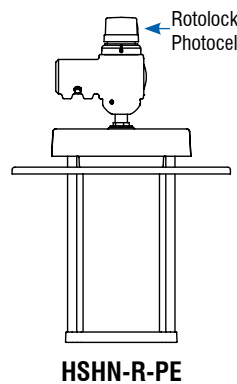
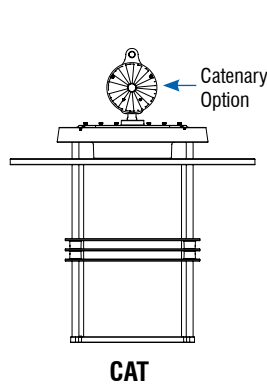
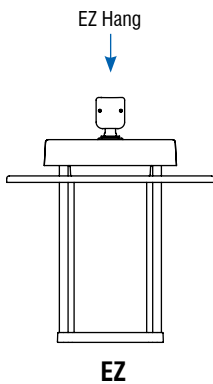


**1740LED**



**1740LEDH**

## Other Options



Choice of 180° Factory Installed Integral IHSS or 180° Field Installed External HSS

