

1340 BOARDWALK SERIES

SPECIFICATIONS

GENERAL

The 1340 Boardwalk series is a classically designed fixture, which consists of a decorative, cast aluminum fitter and gracefully curved basket for its white polycarbonate or acrylic globe. It features a fully cast ballast housing and a one-piece decoratively flared aluminum fitter.

FIXTURE ASSEMBLY

The 1340 fixture shall be 18" wide and the overall height shall be 28 1/2". The basket assembly shall be made of 356 cast aluminum alloy having an 18" diameter ring with 8 curved ribs cradling the lower portion of the globe. The fitter shall be heavy wall cast aluminum, 356 alloy for high tensile strength. The fitter shall be 8 1/4" inside diameter and to attach to the 8" neck of the globe. The fitter shall have a one-piece ring bug gasket to resist insect penetration into lamp assembly.

BALLAST HOUSING

The ballast housing shall be heavy wall cast aluminum, 356 alloy for high tensile strength. The housing shall be mounted to the cast fitter with two screws and to include a one-piece water gasket ring to prevent water entry into the ballast compartment. The ballast shall be attached to the ballast housing by two aluminum wide faced "Z" brackets to ensure high capacity heat sinking of ballast temperatures, keeping the ballast cooler and ensuring long life.

ELECTRICAL

Fixture shall be U.L. or E.T.L. listed in U.S. and Canada. H.I.D. ballasts shall be high power factor with lamp starting down to -30 degrees C. Medium base porcelain sockets that are 4KV rated are used for all ballasts. All compact fluorescent (PL) ballasts shall be instant start electronic with a starting temperature of down to 0 degrees F. They shall have a 4-pin socket to accept quad or triple tube lamps. Ballasts shall be DOE EISA compliant.

GLOBE

The globe shall be 16" diameter tall with a 8" diameter aluminum neck. It will be made of vandal resistant white polycarbonate or dent resistant (DR) white acrylic.

OPTICAL

House Side Shield (HSS) is an option that will block 120° of light in any one direction.

FULL CAGE OPTION

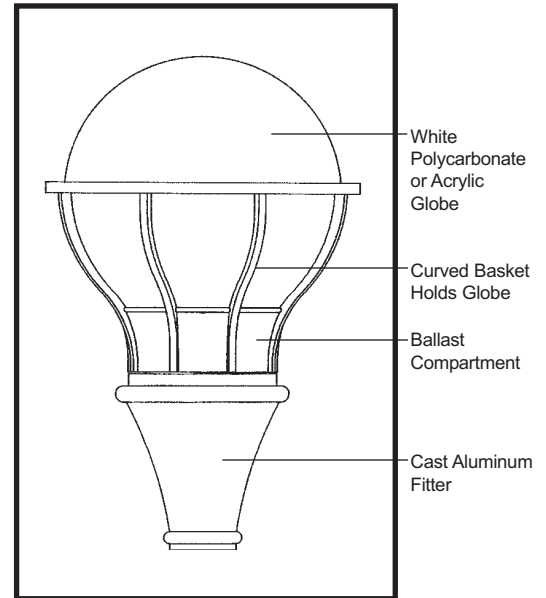
The 1340 can be supplied with a full cage surrounding the entire globe and appointed with a 6" tall faceted-spiked finial.

QUARTZ RE-STRIKE

The 1340 fixture can be supplied with an optional quartz re-strike system to retain constant fixture light if the H.I.D. lamp fails. The fixture will be equipped with a 100 watt quartz lamp and a controller to run on a 120 volt circuit and must be used in conjunction with a 120 volt or multi-tap ballast.

PHOTOCELLS

Photocells shall be either the thermo bi-metal button type or the electronic button type. On single post top fixtures the photocell shall be mounted in the fitter and pre-wired to ballast. On multiple

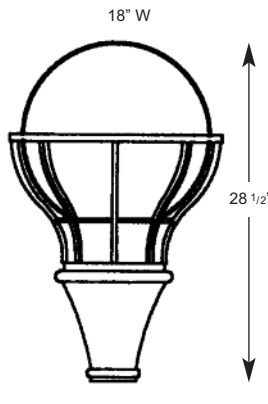
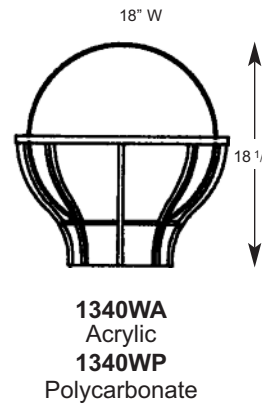
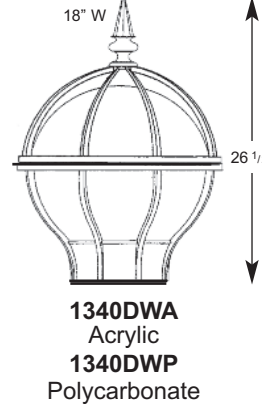
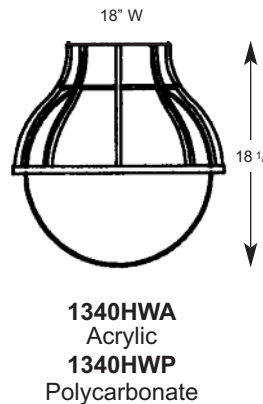
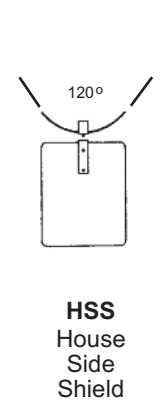


**EPA = 0.92 (ft²)
WEIGHT = 20 LBS**

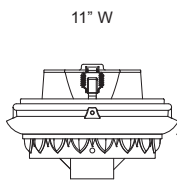
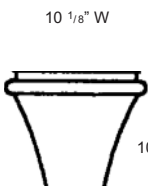
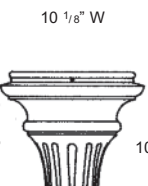
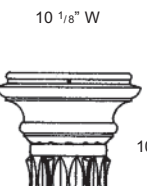
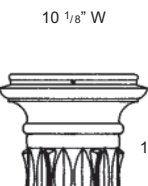
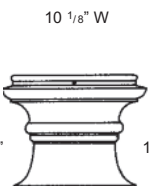
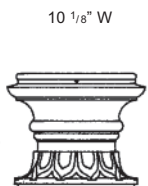
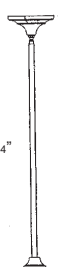

1340 BOARDWALK

FIXTURES / FITTERS / ARMS PM - WB

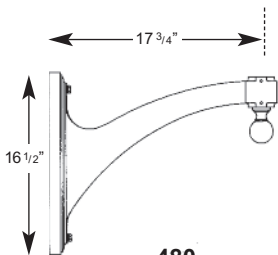
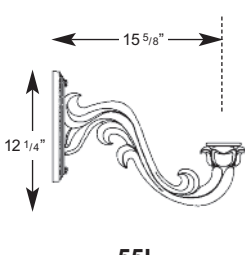
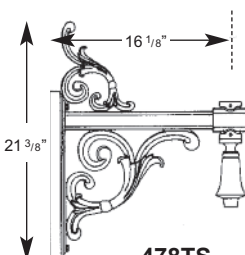
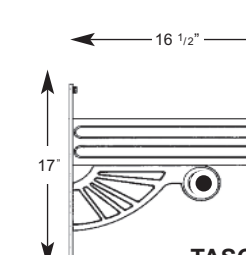
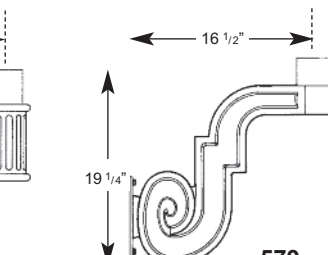
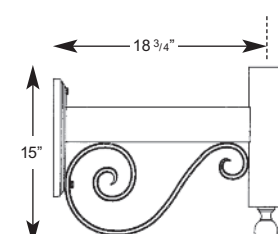
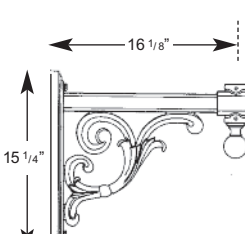
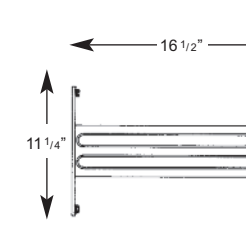
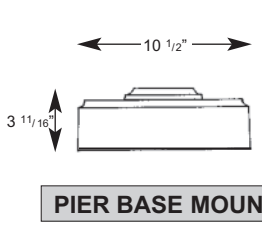
FIXTURES OPTICAL SYSTEMS

 <p>18" W 28 1/2"</p>	 <p>18" W 18 1/2"</p>	 <p>18" W 26 1/2"</p>	 <p>18" W 18 1/2"</p>	 <p>120° HSS House Side Shield</p>
<p>1340WA Acrylic 1340WP Polycarbonate</p>	<p>1340DWA Acrylic 1340DWP Polycarbonate</p>	<p>1340HWA Acrylic 1340HWP Polycarbonate</p>		

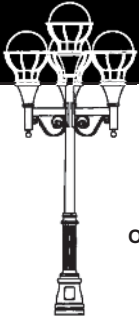
FITTERS HANGING BRACKETS

 <p>11" W 7 3/8"</p>	 <p>10 1/8" W 10 1/8"</p>	 <p>10 1/8" W 10 1/8"</p>	 <p>10 1/8" W 10 1/8"</p>	 <p>10 1/8" W 10 1/4"</p>	 <p>10 1/8" W 11 3/4"</p>	 <p>10 1/8" W 11 3/4"</p>	 <p>HSH44 Stem Hung</p>	 <p>HCH44 Chain Hung</p>
<p>C2097 Fits Brighton 7312TO, Champaign 9312TO and concrete poles with 7" tenons</p>	<p>686 Fits 3" poles or tenons</p>	<p>508 Fits 3" poles or tenons</p>	<p>508BD/4 Fits 4" poles or tenons</p>	<p>508BD/5 Fits 5" poles or tenons</p>	<p>508B/7 Fits 7" poles or tenons</p>	<p>508BD/7 Fits 7" poles or tenons</p>		

ARMS - POST MOUNT (PM) or WALL BRACKETS (WB) See Arms Section for more information

 <p>17 3/4" 16 1/2" 480 (480D Downswept Arm)</p>	 <p>15 5/8" 12 1/4" 55L</p>	 <p>16 1/8" 21 3/8" 478TS</p>	 <p>16 1/2" 17" TASC</p>	 <p>16 1/2" 19 1/4" 579</p>
 <p>18 3/4" 15" 6236</p>	 <p>16 1/8" 15 1/4" 478</p>	 <p>16 1/2" 11 1/4" TA</p>	 <p>10 1/2" 3 11/16" PIER BASE MOUNT 450PB</p>	

BUILDING A PART NUMBER



POST & ARM FIXTURES

ARM MOUNTED FIXTURE NO.	CENTER POST TOP FIXTURE (PT)	POST	POST CAP	LIGHT SOURCE BALLAST	OPTICS	OPTIONS	FINISH
OF ARMS FIXTURE / FITTER / POSTARM	FIXTURE / FITTER	(See Post Section)		WATTS / TYPE / VOLTS			
3	1340WA/686/6236PM	1340WA/686 PT	3908T4	100 HPS120		PEC1	BK



WALL FIXTURES

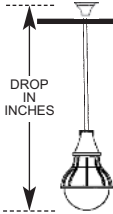
FIXTURE / FITTER / WALL BRACKET	LIGHT SOURCE BALLAST	OPTICS	OPTIONS	FINISH
WATTS / TYPE / VOLTS				
1340WA/686/6236WB	100 HPS120			BK



PIER FIXTURES
Uses same information boxes as wall fixture

1340WA/686/450PB

FIXTURE / FITTER / PIER BASE



HANGING FIXTURES

FIXTURE / HANGING BRACKET	OVERALL DROP IN INCHES	LIGHT SOURCE BALLAST	OPTIONS	FINISH
WATTS / TYPE / VOLTS				
1340HWA/HS44	36 INCHES	100 HPS120		BK

PART NUMBER SELECTIONS

FIXTURES

- 1340WA
- 1340WP
- 1340DWA
- 1340DWP
- 1340HWA
- 1340HWP

FITTERS

- C2097
- 508
- 508BD/4
- 508BD/5
- 508BD/7
- 508BD/7D
- 686

OPTICS

- HSS

OPTIONS

- PEC1 Photocell-Bimetal 120 Volt
- PEC2 Photocell-Bimetal 208-277 Volt
- PEC1-E Photocell-Electronic 120 Volt
- PEC2-E Photocell-Electronic 208-277 Volt
- FHS Single Fuse & Holder-120,277 Volt
- FHD Dual Fuse & Holder-208,240,480 Volt
- QR Quartz Re-Strike
- PF Pineapple Finial or Font (TA, TASCRC)
- BF Ball Finial or Font (TA, TASCRC)
- LAMPS Select from List

POST ARMS

- 478TSPM
- 478PM
- 480PM
- 480DPM
- 55LPM
- 6236PM
- 579PT
- TAPT
- TASCRCPT

VOLTAGES

- 120
- 208
- 240
- 277
- 480
- MULTI (120-277)

WALL BRACKET ARMS

- 478WB
- 478TSWB
- 480WB
- 480DWB
- 55LWB
- 6236WB
- 579WB
- TAWB
- TASCRCWB

HANGING BRACKETS

- HCH44
- HSH44

BALLASTS^{2,4}

- 35HPS
- 50HPS
- 70HPS
- 100HPS
- 150HPS³
- 50MHP
- 70MHP
- 100MHP
- 150MHP³
- 26PLT
- 32PLT
- 42PLT
- INCAND

LAMPS^{3,4}

- HPS35/MED
- HPS50/MED
- HPS70/MED
- HPS100/MED
- HPS150/MED⁴
- MHP50/MED
- MHP70/MED
- MHP100/MED
- MHP150/MED⁴
- PLT26
- PLT32
- PLT42

PIER BASE

- 450PB

STANDARD FINISHES*

- BKT Black Textured
- WHT White Textured
- PGT Park Green Textured
- ABZT Architectural Medium Bronze Textured
- DBT Dark Bronze Textured

*Smooth Finishes are available upon request

CUSTOM FINISHES

- OI Old Iron
- RT Rust
- WBR Weathered Brown
- CD Cedar
- WBK Weathered Black
- TT Two Tone

STERNBERG SELECT FINISHES

- VG Verde Green
- SI Swedish Iron
- OWGT Old World Gray Textured

NOTES:

- 1 35HPS is 120 volt only.
- 2 Standard is clear, for coated HID lamps add C (MH70/C/MED). Medium base sockets are standard.
- 3 Requires Heat Shield. Add "HS" after fixture model (1340WAHS)
- 4 Metal halide systems are pulse start.

1340 BOARDWALK SERIES

SPECIFICATIONS

**LIST NO. 1340
BOARDWALK
SERIES**

head fixture assemblies photocells shall be mounted in the pole shaft on an access plate and are not pre-wired as ballast housing assemblies and fitters are packaged separately for ease of wiring to source. The thermo bi-metal photocell shall be designed to turn on at 1.0 footcandle and turn off at not more than 5 footcandles. The electronic button type photocell is instant on and a 5-10 second turn off and shall turn on at 1.5 footcandles with a turn-off at 2-3 footcandles. Photocells are either 120 volt or 208 thru 277 volt.

ARMS

All arms are made of cast aluminum and/or extruded aluminum. Arms with decorative filigree have meticulously detailed scrollwork and gracefully curved brackets. All 1340 fixtures will be mechanically attached at the factory to ensure arms will be plumb, secure and level over the life of the installation. Each arm shall be bolted to a post mount adapter, which is welded to the pole to ensure proper alignment to the base. Twin TA, TASCRA and 579 arms will be attached to a decorative center hub which will slip-fit the center tenon of the pole (not shown). BA and 779 arms are available as a twin application. Arms are pre-wired for ease of installation.

FINISH

Prior to coating, each assembly shall be chemically cleaned and etched in a 5-stage washing system which includes alkaline cleaning, rinsing, phosphoric etching, reverse osmosis water rinsing, and non-chrome sealing to ensure corrosion resistance and excellent adhesion for the finish coating. The finish coating shall be electrostatically applied semi-gloss, super durable polyester powder baked at 400 degrees for a durable and superior, color retentive finish. Our optional antique Verde Green finish and Swedish Iron finish are hand brushed using a 3-step process. The total assembly shall be wrapped in shockproof wrapping or fully enclosed in corrugated cartons.

WARRANTY

Five-year limited warranty. See product and finish warranty guide for details.