



1335LED REVERE SERIES

LED

CLICK FOR FAQ'S
FAQ

EPA 3.96 (ft²)
WEIGHT 45 LBS

LUMEN RANGE 1925 to 7615

LIFE SPAN L70 UP TO 100,000 HOURS

7 YEAR WARRANTY

JOB NAME _____

FIXTURE TYPE _____

MEMO _____

BUILD A PART NUMBER

ORDERING EXAMPLE: **2A-1335LED-3R-4ARC45T5-MDL03-CSA-PEC-FHD/480PM/3412FP4/BKT**

Mounting Config.	Fixture	Fitter	LED	CCT	Type	Driver	Lens	Option Photocontrol	Option Fuse	Optional House Side Shield	Arm <small>See Arm Spec Sheets</small>	Pole <small>See Pole Spec Sheets</small>	Finish

Mounting Configuration

(Click here to link to mounting configuration specification page)

- 1W • 1APT • 2APT • 4A • 2AM
- PT • 2A • 3A • 4APT • 550PB
- 1A • 2A90 • 3A90 • 1AM

W = Wall Mount PT = Post Top APT = Post Top Arm Mid-Mount
A = Arm Mount AM = Arm Mid-Mount PB = Pier Base

Fixture

- 1335LED

Fitter

- R3 • R4 • R5 • R8

LED

- 4AIR • 4ARC • 1RND

CCT - Color Temperature (K)

- 27(00) • 35(00) • 45(00)

Type

- T2 • T3 • T3R • T4 • T5

Driver

- MDL03 (120-277v, 350mA)
- MDH03 (347-480v, 350mA)

Lens (Click here to view lens website page)

- SV1 (SoftVue 1)
- SV2 (SoftVue 2)
- CSA (Clear Seeded Acrylic)
- CTA (Clear Textured Acrylic)
- FA (Frosted Acrylic)
- PA (Pristmatic Acrylic)
- EG (Etched Glass)

Options

- PEC Photocontrol-Electronic 120-277 Volt
- FHD Dual Fuse and Holder
- HSS 120° House Side Shield

Arm (Click here to link to arm website page)

See Arms & Wall Brackets specification sheets.

- 480 • 6236 • 579 • TA • TASC

Pole (Click here to link to pole specification page)

See Pole specification sheets.

Finish

Standard Finishes¹

- BKT Black Textured
- WHT White Textured
- PGT Park Green Textured
- ABZT Architectural Medium Bronze Textured
- DBT Dark Bronze Textured

¹Smooth finishes are available upon request.

Custom Finishes²

- CM Custom Match
- OI Old Iron
- RT Rust
- WBR Weathered Brown
- CD Cedar
- WBK Weathered Black
- TT Two Tone

²Custom colors require upcharge.

Sternberg Select Finishes

- VG Verde Green
- SI Swedish Iron
- OWGT Old World Gray Textured

Specifications

Fixture

The 1335LED Revere measures 15-1/2" wide and is 30" tall. The luminaire shall be made of heavy wall cast aluminum alloy. The luminaire shall be provided with a cast aluminum roof with optimized heat sinks to provide maximum life and performance for the LED light sources. The lens panels shall be made of vandal resistant, acrylic, or glass.

Fitter

The fitter shall be heavy wall cast aluminum for high tensile strength. The fitter shall have an inside diameter opening to attach to a 3" (R3), 4" (R4), 5" (R5) or 8" (R8) pole or tenon. When ordered with a Sternberg pole, the fitter shall be attached by set-screw to the pole top or tenon.

LED's

The luminaire shall use high output, high brightness LED's. They shall be mounted in arrays, on printed circuit boards designed to maximize heat transfer to the heat sink surface. The arrays shall be roof mounted to minimize up-light. The LED's and printed circuit boards shall be environmentally friendly and 100% recyclable, they shall also be protected from moisture and corrosion by a conformal coating of 1 to 3 mils. They shall not contain lead, mercury or any other hazardous substances and shall be RoHS compliant. The LED life rating data shall be determined in accordance with IESNA LM-80. They shall operate in a -40°C (-40°F) to +50°C (122°F) ambient air temperature range. The High Performance white LED's will have a life expectancy of approximately 100,000 hours with not less than 70% of original brightness (lumen maintenance), rated at 25°C. The High Brightness, High Output LED's shall be 4500K (3500K or 2700K option) color temperature with a minimum CRI of 70. The luminaire shall have a minimum _____ (see table) delivered initial lumen rating when operated at steady state with an average ambient temperature of 25°C (77°F).

Optics

The luminaire shall be provided with individual acrylic, refractor type optics applied to each LED. The luminaire shall provide Type _____ (2, 3, 3R, 4 or 5) light distribution per the IESNA classifications. Testing will be done in accordance with IESNA LM-79.

Electronic Driver

The LED driver shall be U.L. Recognized. It shall be securely mounted inside the fixture, for optimized performance and longevity. It shall be supplied with a quick-disconnect electrical connector on the power supply, providing easy power connections and fixture installation. It shall have overload as well as short circuit protection, and have a DC voltage output, constant current design, 50/60HZ.

See back page

1335LED REVERE SERIES

LED

It shall be supplied with line-ground, line-neutral and neutral-ground electrical surge protection in accordance with IEEE/ANSI C62.41.2 guidelines. It shall be dimmable using a 0-10v signal.

For sources over 50w: The driver shall have a minimum efficiency of 90%. The driver shall be rated at full load with THD<20% and a power factor of greater than 0.90. The driver shall contain over-heat protection which reduces output to less than half rating if the case temperature reaches 85°C.

For sources under 50w: The driver shall have a minimum efficiency of 88%.

Photocontrol

Button Style: On single post top fixtures the photocontrol shall be mounted in the fitter and pre-wired to ballast. On multiple head fixture assembly's photocontrol shall be mounted in the pole shaft on an access plate and are not pre-wired as ballast housing assemblies and fitters are packaged separately for ease of wiring to source. The electronic button type photocontrol is instant on with a 5-10 second turn off, and shall turn on at 1.5 footcandles with a turn-off at 2-3 footcandles. Photocontrol is 120-277 volt and warranted for 6 years.

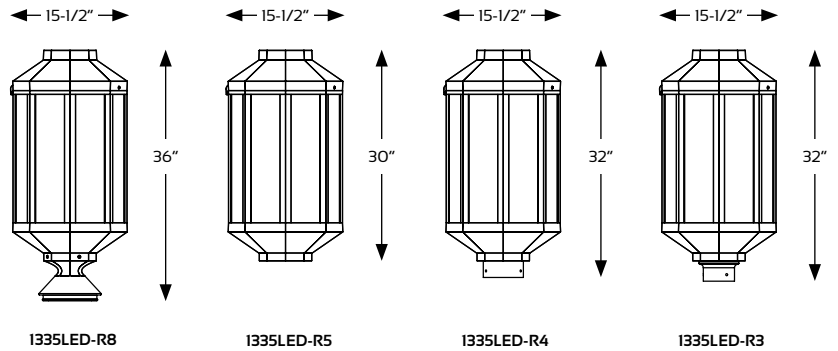
Warranty

Seven-year limited warranty. See product and finish warranty guide for details.

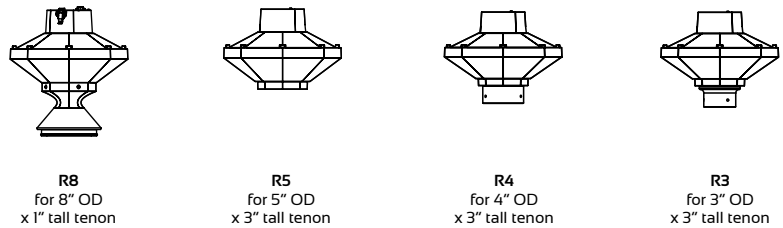
Finish

Refer to website for details.

Fixture Examples



Fitters



Performance

LIGHT SOURCE	T2 DELIVERED LUMENS	EFFICACY (LPW)	T3 DELIVERED LUMENS	EFFICACY (LPW)	T3R DELIVERED LUMENS	EFFICACY (LPW)	T4 DELIVERED LUMENS	EFFICACY (LPW)	T5 DELIVERED LUMENS	EFFICACY (LPW)	WATTAGE
4A1R27-MD_03	5590	60.8	5565	60.5	5605	60.9	5720	62.2	5940	64.6	92
4A1R35-MD_03	6380	69.3	6350	69.0	6395	69.5	6530	71.0	6780	73.7	92
4A1R45-MD_03	7165	77.9	7130	77.5	7185	78.1	7335	79.7	7615	82.8	92
4ARC27-MD_03	3790	59.2	3715	58.0	3815	59.6	3850	60.2	4015	62.7	64
4ARC35-MD_03	4325	67.6	4240	66.3	4355	68.0	4395	68.7	4585	71.6	64
4ARC45-MD_03	4860	75.9	4760	74.4	4890	76.4	4935	77.1	5150	80.5	64
1RND27-MD_03	1945	60.8	1925	60.2	1955	61.1	1980	61.9	1995	62.3	32
1RND35-MD_03	2220	69.4	2195	68.6	2230	69.7	2260	70.6	2275	71.1	32
1RND45-MD_03	2495	78.0	2465	77.0	2505	78.3	2540	79.4	2560	80	32